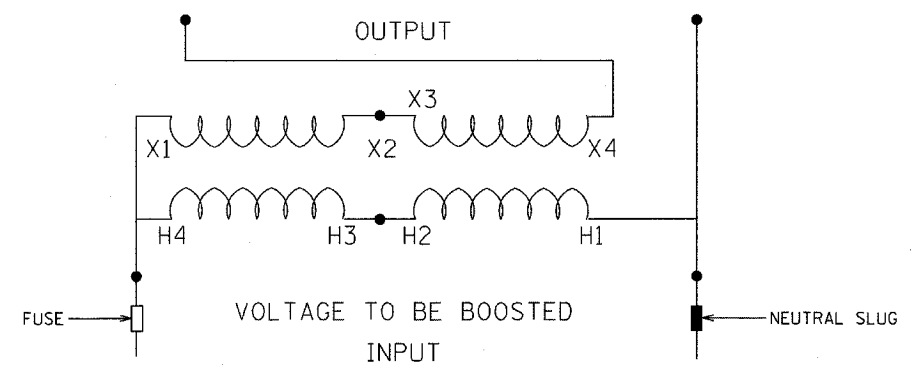


NOTE: MOUNT PER MANUFACTURER'S RECOMENDATION OR AS DIRECTED BY ENGINEER

BUCK-BOOST TRANSFORMER MOUNTING DETAIL



NOTE: 1. THE CONTRACTOR SHALL PROVIDE OVERCURRENT PROTECTION PER NEC.
2. 0.75KVA BUCK-BOOST TRANSFORMER 31.2A AT 24V BOOST

BUCK BOOST TRANSFORMER DETAIL

AERIAL CONDUCTORS ENTER POLE THROUGH HANDHOLE DOOR. THE CONTRACTOR SHALL SPLICE THE AERIAL CABLE IN A MANNER THAT PREVENTS WATER FROM RUNNING DOWN THE POLE AND CONDUCTORS INTO THE SPLICE ITSELF.

TEMPORARY AERIAL CONNECTION TO PROPOSED DAVIT ARM POLE

PHASE CONDUCTORS
GROUND CONDUCTOR

CONTRACTOR TO MODIFY POLE CAP TO PROVIDE ENTRY OF CONDUCTORS INTO POLE AND PREVENT MOISTURE FROM ENTERING.

SECURE MESSENGER TO POLE

TEMPORARY AERIAL CONNECTION TO EXISTING LIGHT POLE

REVISIONS	
NAME	DATE

STATE OF ILLINOIS
DEPARTMENT OF TRANSPORTATION
F.A.I. 80 & F.A.I. 55 INTERCHANGE
DETAILS

SCALE: _____
DATE: JANUARY, 2005

DRAWN BY: _____
CHECKED BY: _____