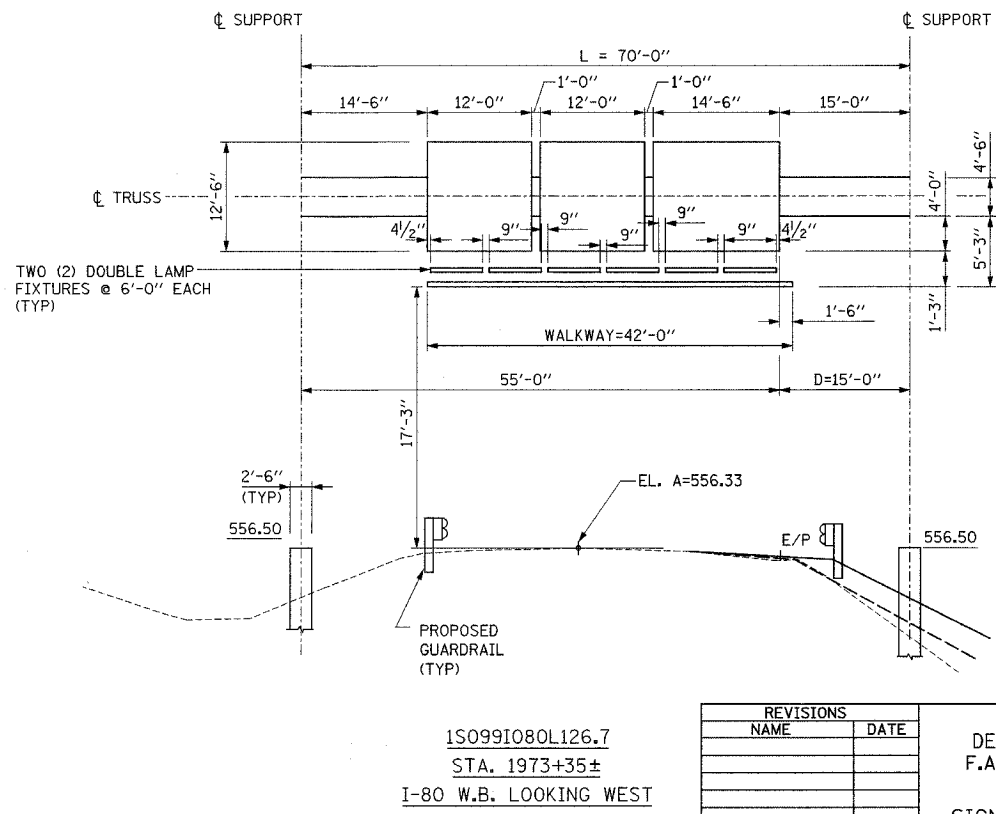
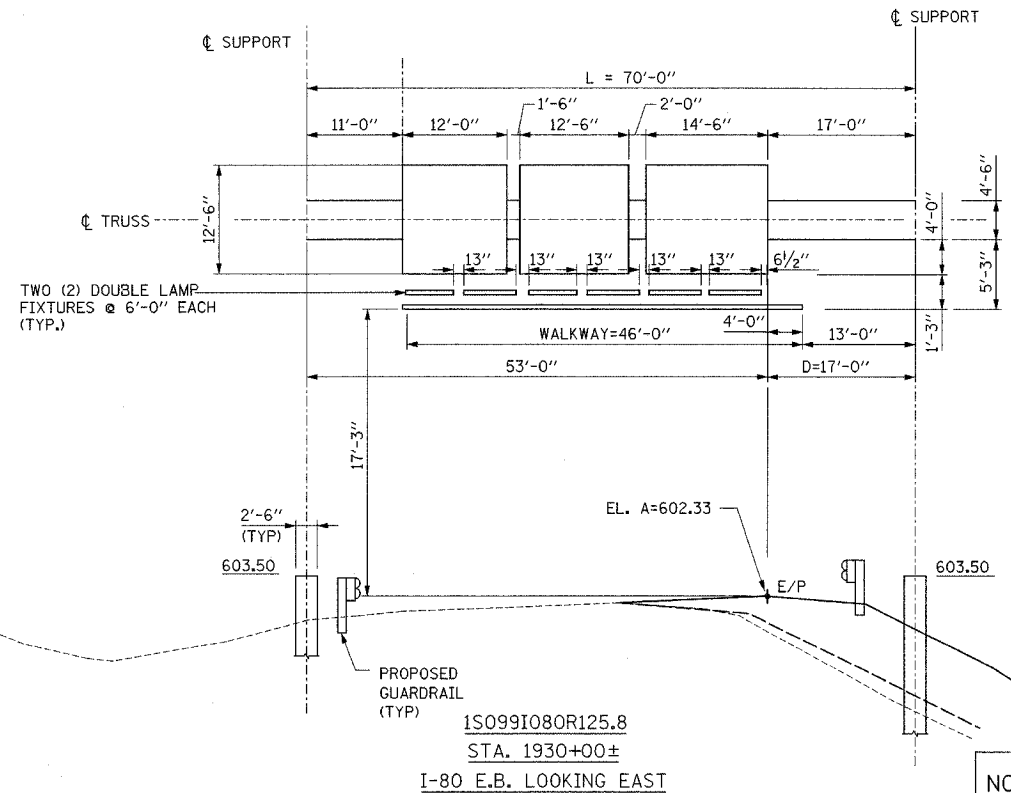
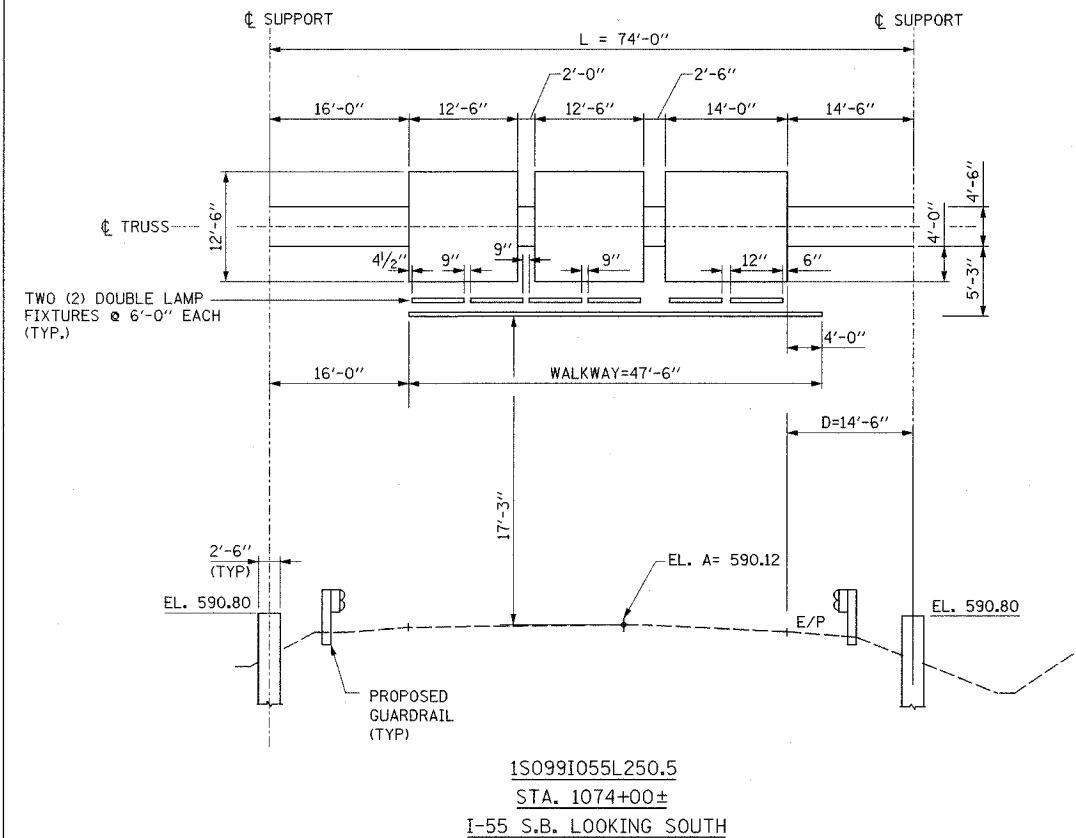
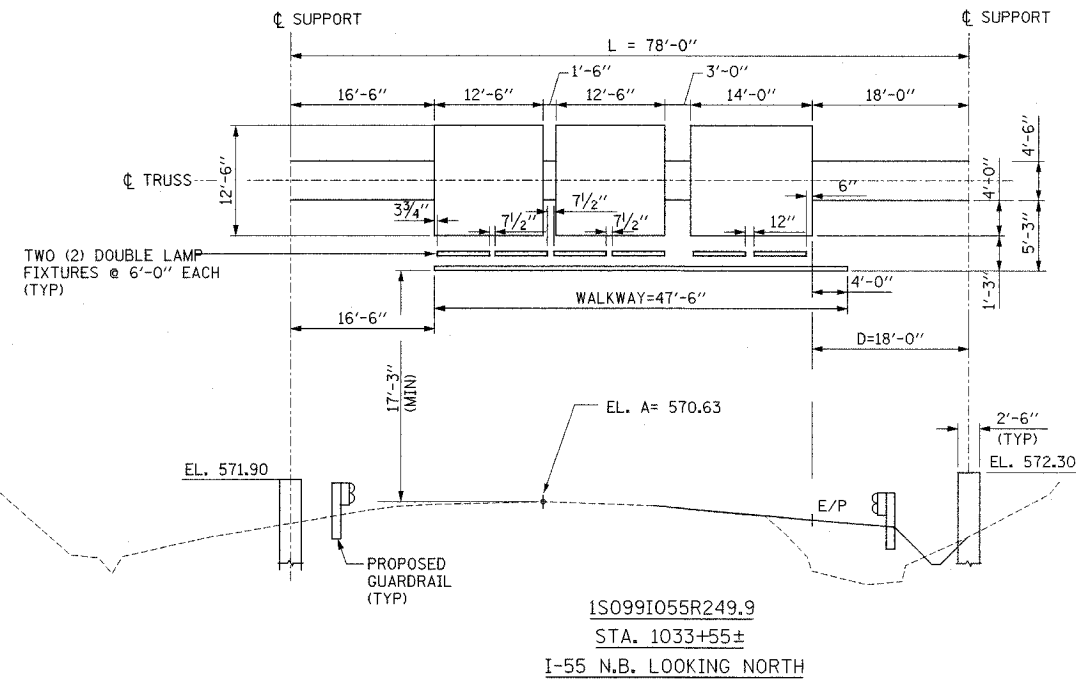


F.A.I. RTE.	SECTION	COUNTY	TOTAL SHEETS	SHEET NO.
55,80	99-1(K,BYBAC-8)	WILL	497	255
STA.		TO STA.		
FED. ROAD DIST. NO. 1 ILLINOIS FED. AID PROJECT				



NOTE:
FOR PROPOSED GUARDRAIL LOCATIONS, SEE ROADWAY PLANS



REVISIONS	
NAME	DATE

STATE OF ILLINOIS
DEPARTMENT OF TRANSPORTATION
F.A.I. 80 & F.A.I. 55 INTERCHANGE
SIGN PANEL AND LIGHT PLACEMENT

SCALE:
DATE: JANUARY, 2004

DRAWN BY: RV
DESIGNED BY: AS
CHECKED BY: MSA

m:\p\proj\28990\28990-02\design\signing\sign-03.dgn 1/31/2005

SGN-03