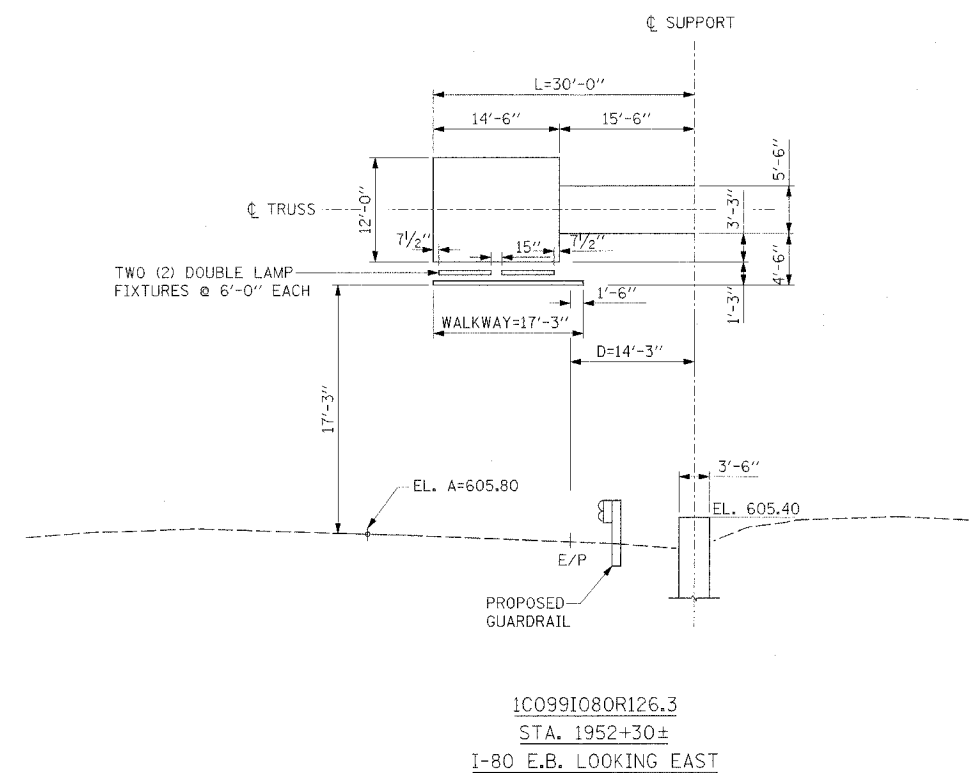
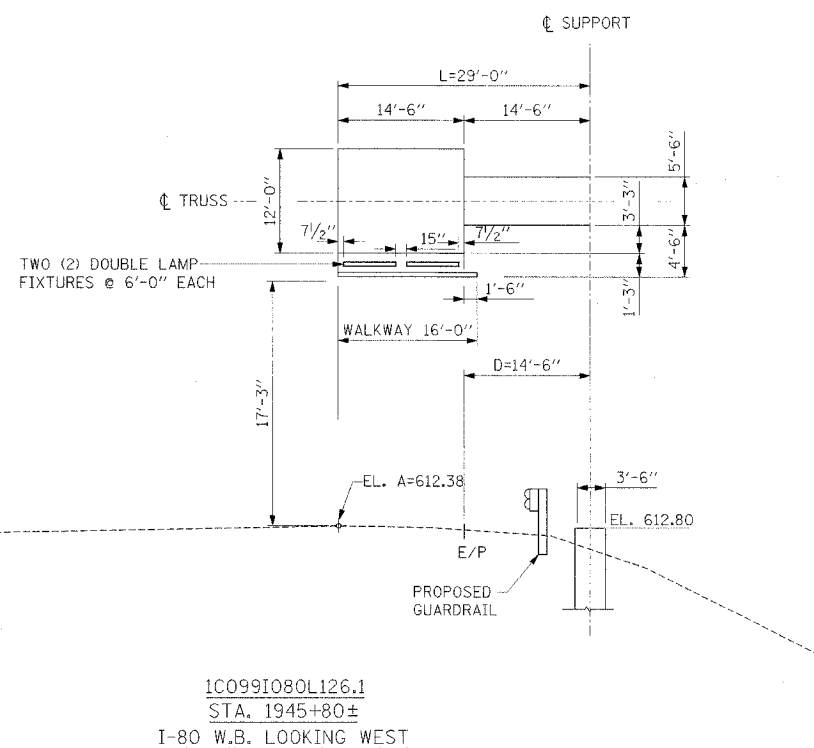


F.A.I. RTE.	SECTION	COUNTY	TOTAL SHEETS	SHEET NO.
55,80	99-1(K,BYBAC-8)	WILL	497	257
STA.		TO STA.		
FED. ROAD DIST. NO. 1		ILLINOIS	FED. AID PROJECT	
#80906				



NOTE:
FOR PROPOSED GUARDRAIL LOCATIONS, SEE ROADWAY PLANS



REVISIONS	
NAME	DATE

STATE OF ILLINOIS
DEPARTMENT OF TRANSPORTATION
F.A.I. 80 & F.A.I. 55 INTERCHANGE

SIGN PANEL AND LIGHT PLACEMENT

SCALE:
DATE: JANUARY, 2004

DRAWN BY: RV
DESIGNED BY: AS
CHECKED BY: MSA