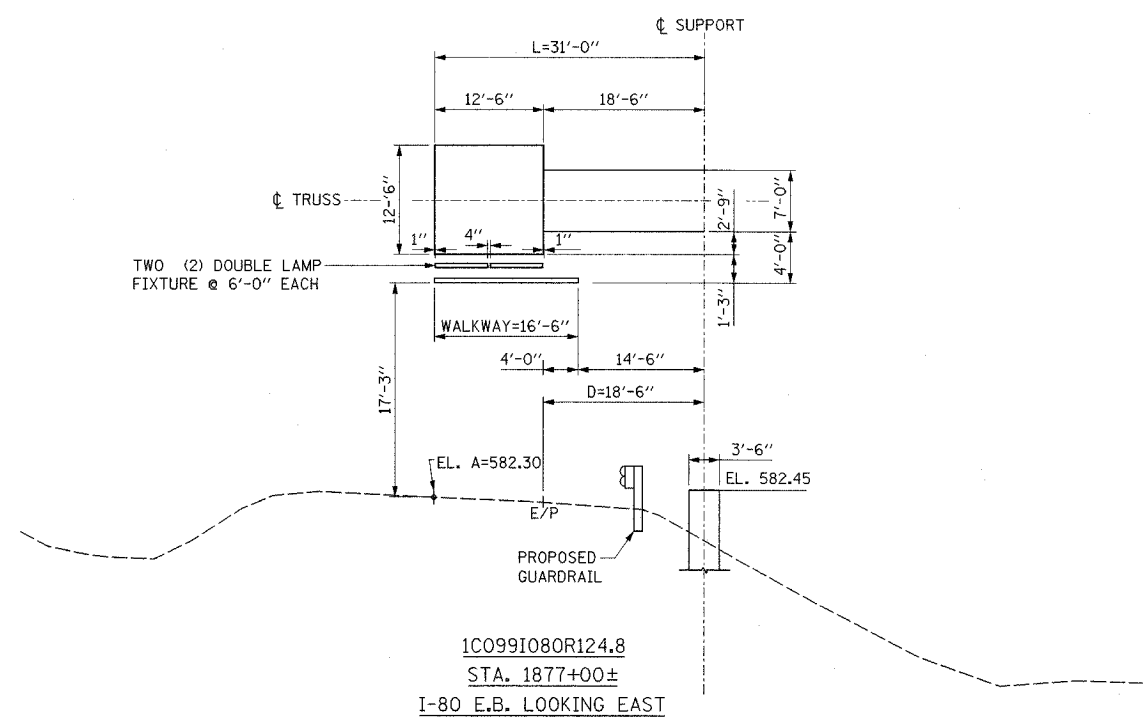
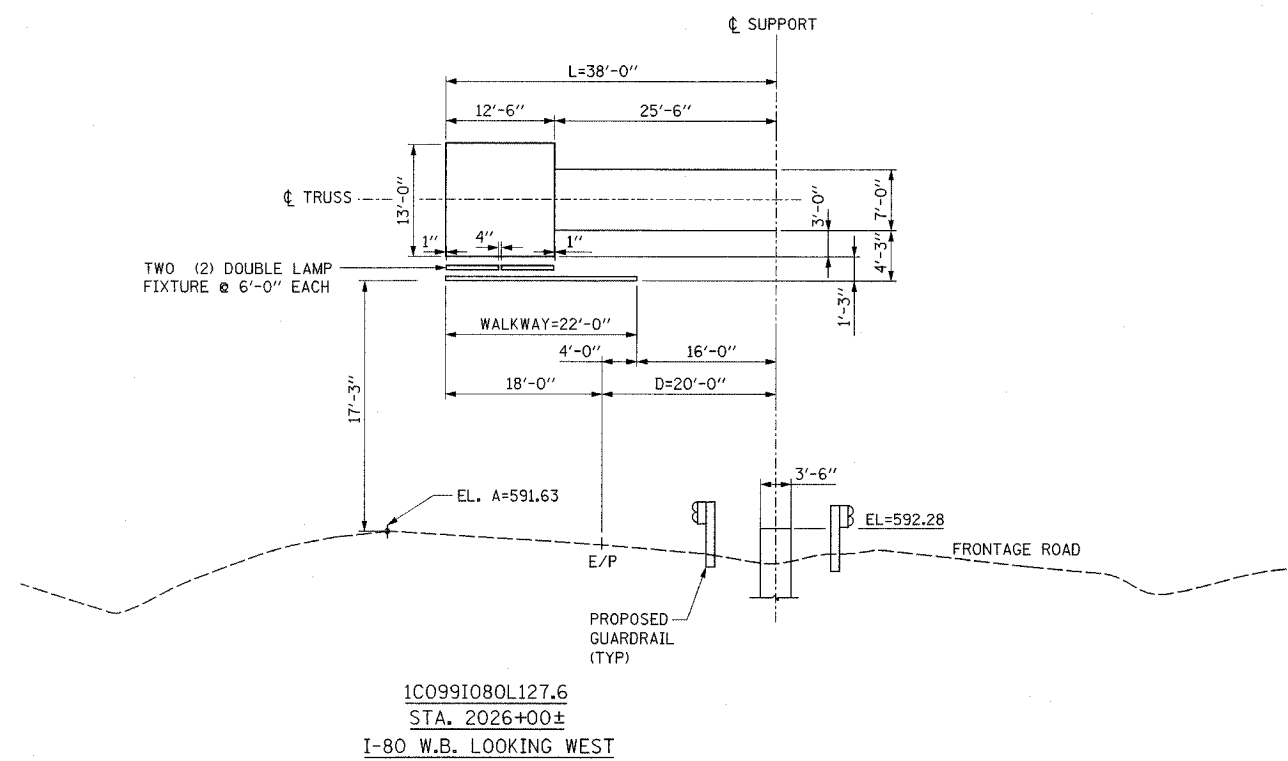


F.A.I. RTE.	SECTION	COUNTY	TOTAL SHEETS	SHEET NO.
55,80	99-1K, BYBAC-81	WILL	497	258
STA.		TO STA.		
FED. ROAD DIST. NO. 1		ILLINOIS FED. AID PROJECT		

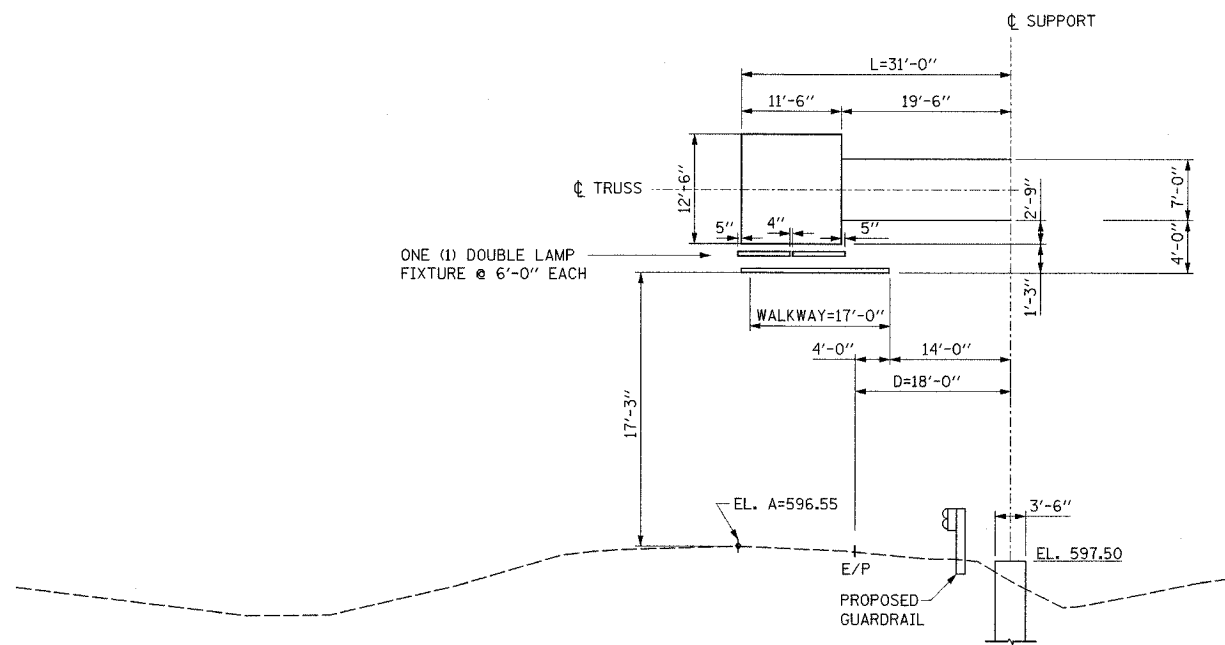


1C099I080R124.8  
STA. 1877+00±  
I-80 E.B. LOOKING EAST

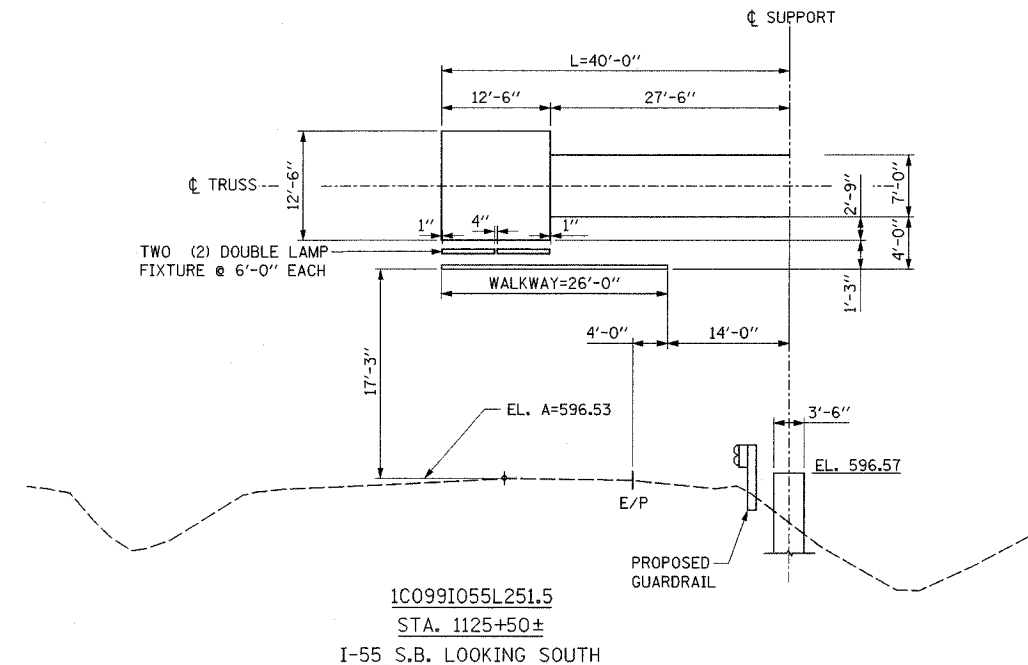


1C099I080L127.6  
STA. 2026+00±  
I-80 W.B. LOOKING WEST

NOTE: LUMINAIRES SHOWN FOR INFORMATION ONLY, TO BE INSTALLED BY OTHERS



1C099I055R248.9  
STA. 981+55±  
I-55 N.B. LOOKING NORTH



1C099I055L251.5  
STA. 1125+50±  
I-55 S.B. LOOKING SOUTH

NOTE: LUMINAIRES SHOWN FOR INFORMATION ONLY, TO BE INSTALLED BY OTHERS

NOTE:  
FOR PROPOSED GUARDRAIL LOCATIONS, SEE ROADWAY PLANS

NOTE: LUMINAIRES SHOWN FOR INFORMATION ONLY, TO BE INSTALLED BY OTHERS

REVISIONS	
NAME	DATE

STATE OF ILLINOIS  
DEPARTMENT OF TRANSPORTATION  
F.A.I. 80 & F.A.I. 55 INTERCHANGE  
SIGN PANEL AND LIGHT PLACEMENT

SCALE:  
DATE: JANUARY, 2004  
DRAWN BY: RV  
DESIGNED BY: AS  
CHECKED BY: MSA



nt:\p\o\j\28900-02\design\signing\sign-06.dgn  
1/31/2005

SGN-06