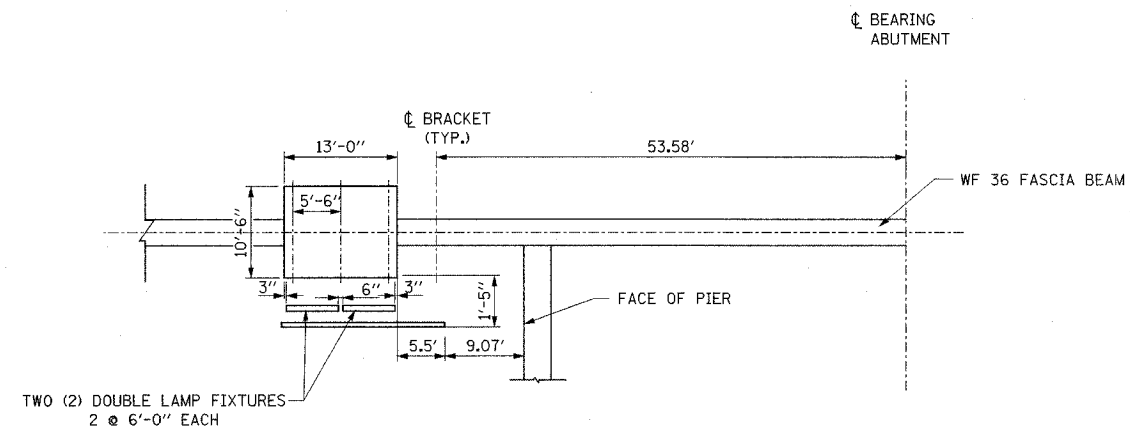


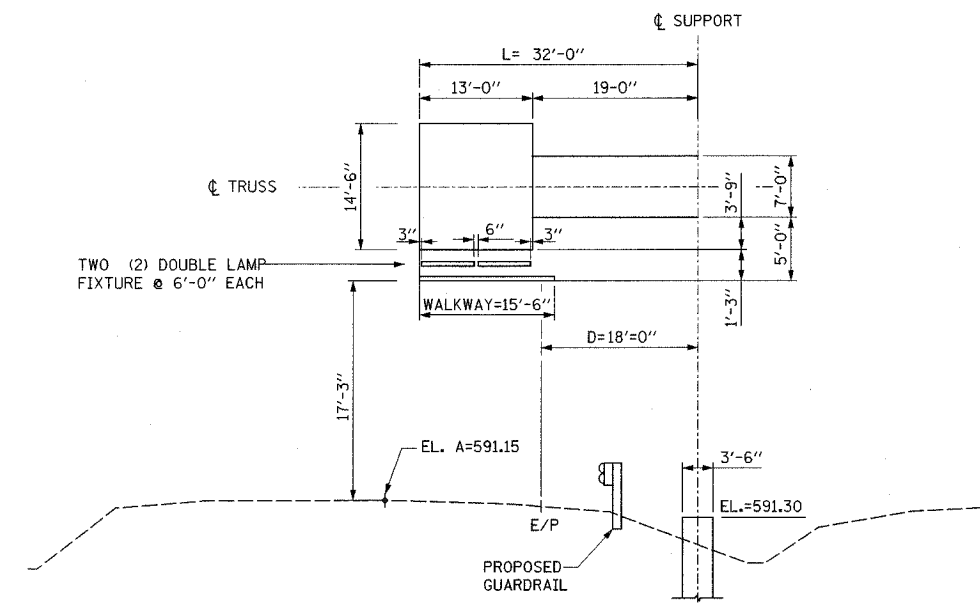
F.A.I. RTE.	SECTION	COUNTY	TOTAL SHEETS	SHEET NO.
55,80	99-1(K, BYBAC-8)	WILL	497	259
STA.		TO STA.		
FED. ROAD DIST. NO. 1		ILLINOIS FED. AID PROJECT		

INCLUDED IN CONTRACT



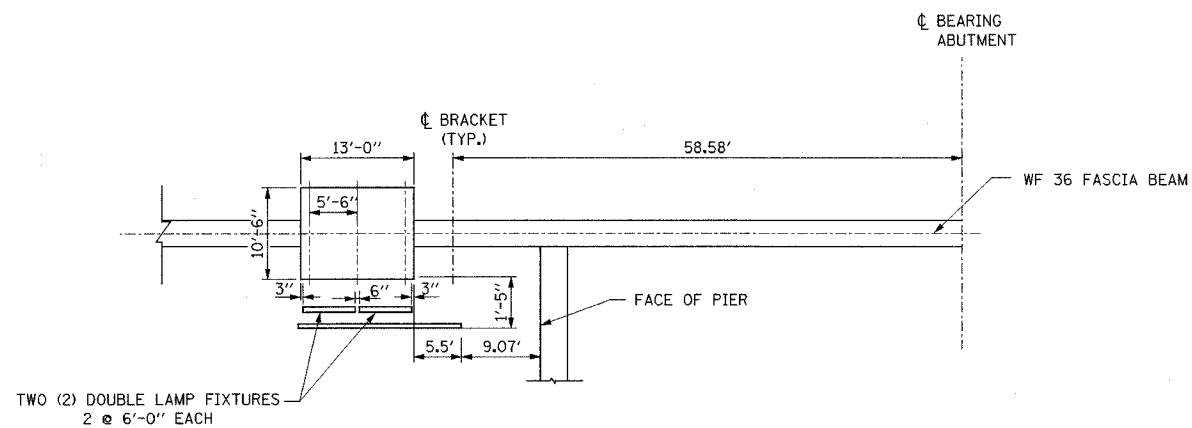
1B099I055R250.2
STA. 1053+73± (I-55 MAIN LINE NB)
LOOKING NORTH

FOR INFORMATION ONLY



1C099I055R250.7
STA. 1079+00±
I-55 N.B. LOOKING NORTH

INCLUDED IN CONTRACT



1B099I055R250.7
STA. 1054+75± (I-55 MAIN LINE SB)
LOOKING SOUTH

- NOTES
- FOUNDATION TO BE CONSTRUCTED IN THIS CONTRACT. SEE ROADWAY PLANS FOR LOCATION.
 - TRUSS AND SIGN PANEL TO BE INSTALLED IN SEPARATE CONTRACT. TRUSS AND SIGN DETAILS SHOWN FOR REFERENCE ONLY.
 - LUMINAIRES SHOWN FOR INFORMATION ONLY, TO BE INSTALLED BY OTHERS

nt:\proj\2890\2890-02\design\signing\sign-07.dgn
1/31/2005

SGN-07

REVISIONS	
NAME	DATE

STATE OF ILLINOIS
DEPARTMENT OF TRANSPORTATION
F.A.I. 80 & F.A.I. 55 INTERCHANGE

SIGN PANEL AND LIGHT PLACEMENT

KEI KAM ENGINEERING, INC.
CONSULTING ENGINEERS
707A Davis Road, Suite 205
Eggen, Illinois 60223-0569

SCALE:
DATE: JANUARY, 2004

DRAWN BY: RV
DESIGNED BY: AS
CHECKED BY: