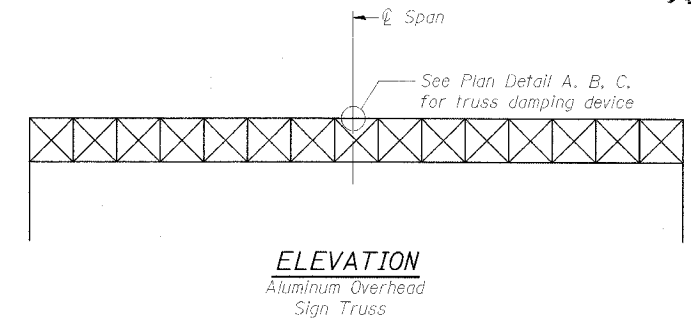
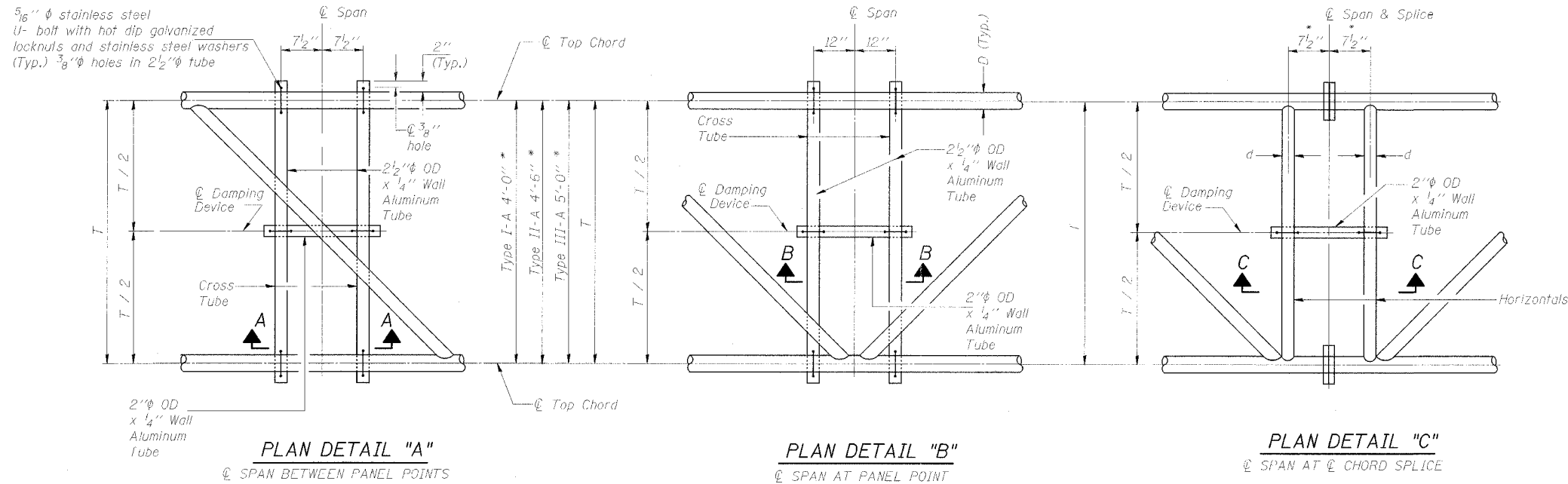


STATE OF ILLINOIS  
DEPARTMENT OF TRANSPORTATION

\* Center of horizontal to center of splice dimension may vary. Verify before drilling holes in mounting tube.

ROUTE NO.	SECTION	COUNTY	SHEET NO.	SHEET TOTAL
55,80	*	WILL	497	273
FED. ROAD DIST. NO. 1		BLDG. NOS.	PROJ. AND PARTS/RECT.	
* 99-IX, BY BAC-8)				

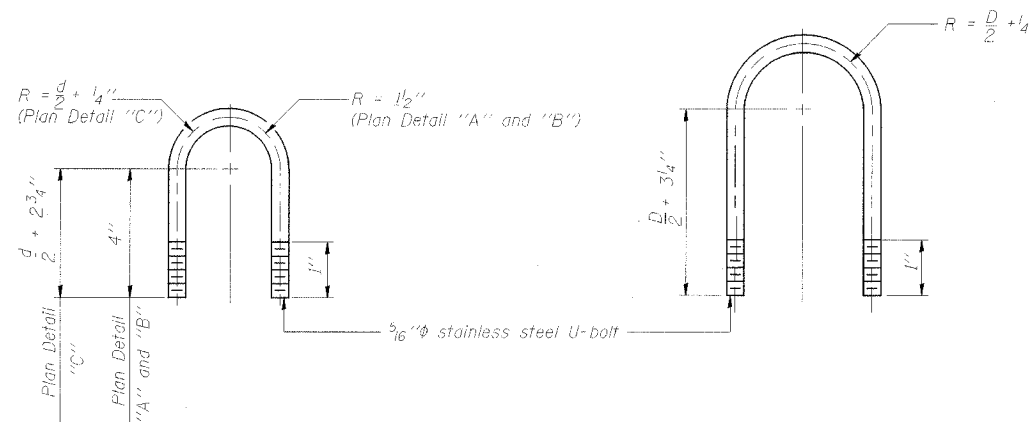
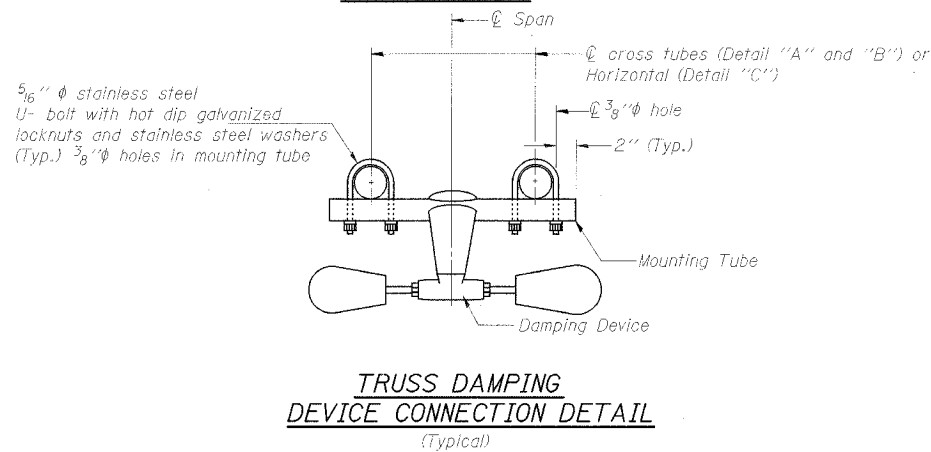
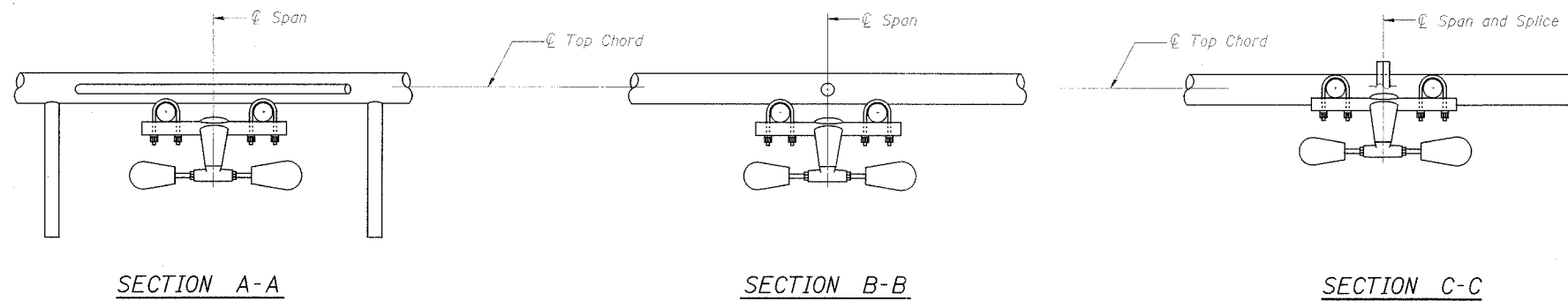
#80906



**NOTES**

Damper: One damper per truss.  
(31 lbs. Stockbridge Type Aluminum)  
Cost included in "Overhead Sign Structure..."

Materials: Aluminum tubes shall be ASTM B221 alloy 6061 temper T6. Cost included in "Overhead Sign Structure..."



DESIGNED	SL	EXAMINED	20
CHECKED	AS	PASSED	ENGINEER OF STRUCTURAL SERVICES
DRAWN	MD	PASSED	ENGINEER OF BRIDGES AND STRUCTURES
CHECKED	SL		

OS-A-D 11/1/2002

SGN-21

OVERHEAD SIGN STRUCTURE  
DAMPING DEVICE

ILLINOIS DEPARTMENT OF TRANSPORTATION  
F.A.I. 80 & F.A.I. 55 INTERCHANGE

OVERHEAD SIGN STRUCTURES