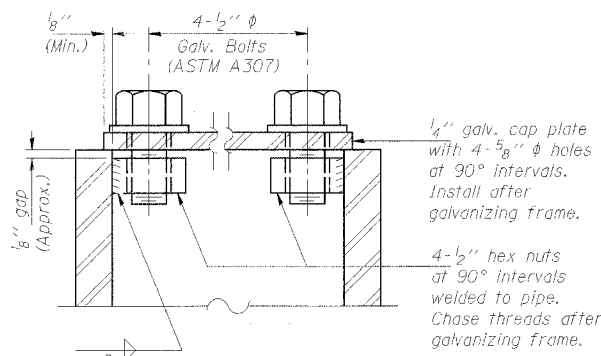
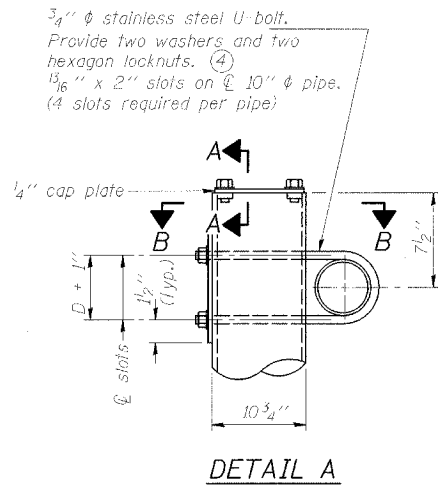


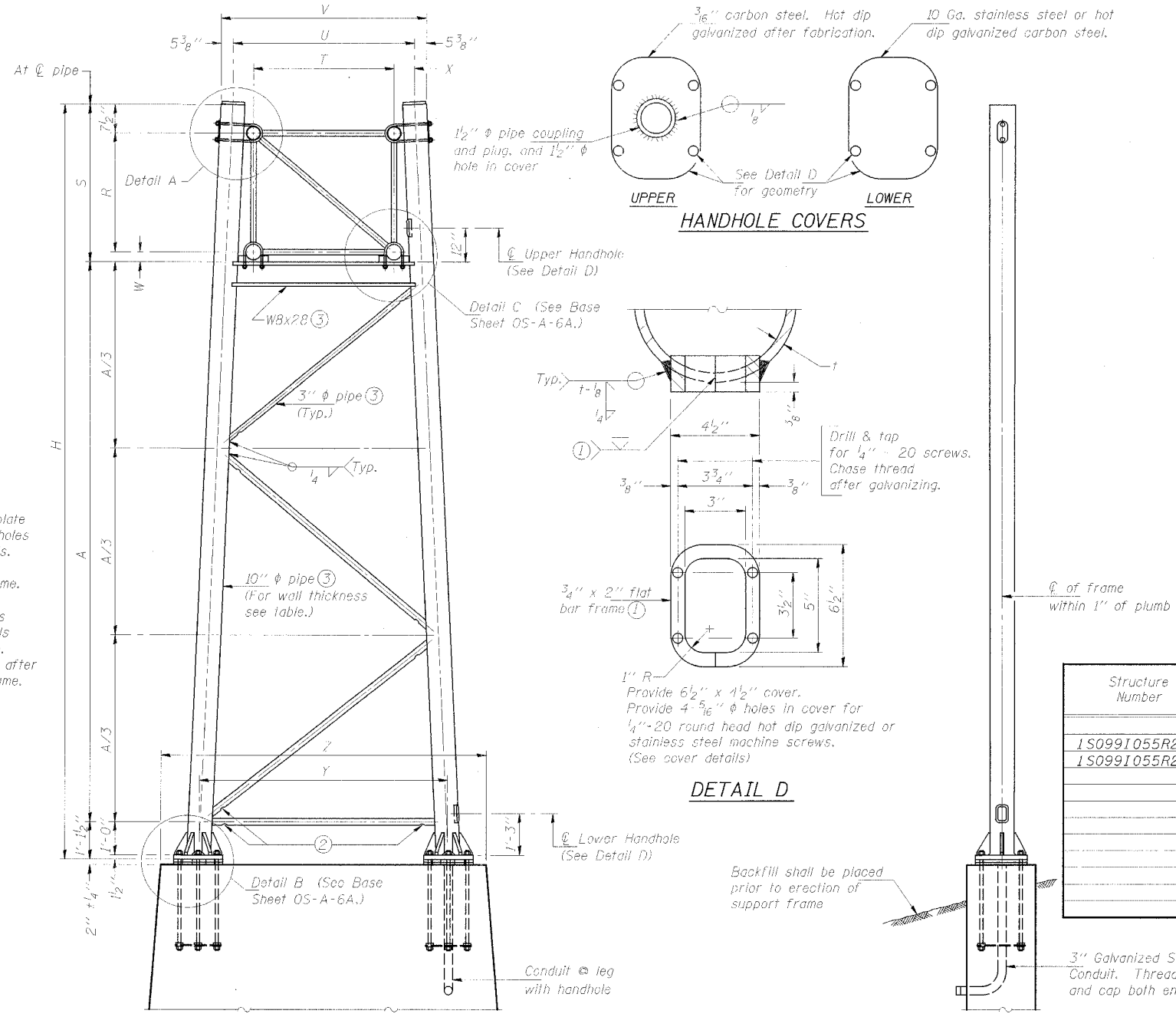
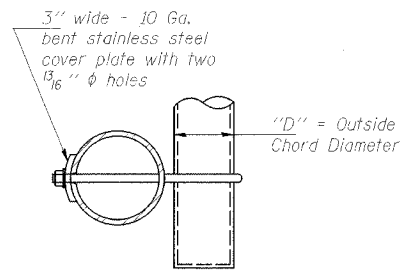
STATE OF ILLINOIS
DEPARTMENT OF TRANSPORTATION

ROUTE NO.	SECTION	COUNTY	TOTAL SHEETS	SHEET NO.
55.80	*	WILL	497	275
FED. ROAD DIST. NO. 1		ILLINOIS	FED. AID PROJECT	
* 99-1K, BYBAC-8				

#80906



As an alternate to bolts, may use galvanized drive-fit caps installed after galvanizing frame.



FOR FOUNDATION DETAILS SEE BASE SHEET OS-F3 (Spread Footing) or OS4-F3 (Drilled Shaft).

SIDE ELEVATION

10" ϕ PIPE TRUSS SUPPORT FRAME

END ELEVATION

Support Design Loads: See Base Sheet OS-A-1 for design and loading criteria.
Load combinations checked include deadload plus:
a) 100% wind normal to sign, 20% parallel to sign
b) 60% wind normal to sign, 30% parallel to sign

- In lieu of fabricated handhole frame as shown, may cut from 2" plate (rolling direction vertical). All cut faces to be ground to ANSI Roughness of 500 \sqrt{in} or less.
- Galvanizing vent holes of adequate size shall be provided on underside at each end of bracing pipes. Alternately, holes may be provided in wall of pipe column. All vent holes shall be drilled and de-burred. (Typ.)
- Steel pipe, plate, carbon steel handhole covers and rolled sections shall be hot dip galvanized after fabrication. Painting is not permitted. See Base Sheet OS-A-1.
- See General Notes for Fasteners.
- Dimensions shown are based on selection criteria in the Sign Structures Manual. Nonstandard applications must have dimensions verified or amended as appropriate.

Structure Number	Station	Support		Truss Type	Pipe Wall Thickness	H	A
		Left	Right				
IS099I055R249.5	1007+55		*	I-A	0.279"	29'-5 1/2"	22'-10 1/2"
IS099I055R249.5	1007+55	*		I-A	0.279"	26'-3 3/8"	19'-8 1/8"

DESIGNED	SL	20
CHECKED	AS	EXAMINED
DRAWN	MD	PASSED
CHECKED	SL	

NUMBER	REVISION	DATE

Truss Type	Dimensions								
	R	S	T	U	V	W	X	Y	Z
I-A	4'-6"	5'-5 1/2"	4'-0"	5'-6"	6'-4 3/4"	4"	9"	8'-3"	10'-9"
II-A ⑤	5'-3"	6'-3 1/4"	4'-6"	6'-1"	6'-11 3/4"	4 3/4"	9 1/2"	8'-3"	10'-9"

OVERHEAD SIGN STRUCTURES
SUPPORT FRAME for ALUMINUM TRUSS
ILLINOIS DEPARTMENT OF TRANSPORTATION
F.A.I. 80 & F.A.I. 55 INTERCHANGE
OVERHEAD SIGN STRUCTURES