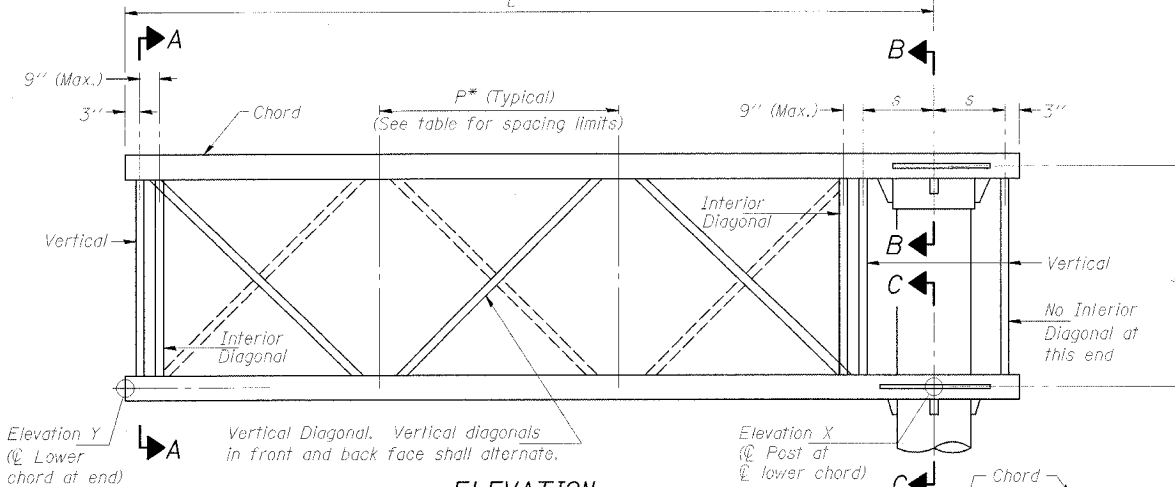
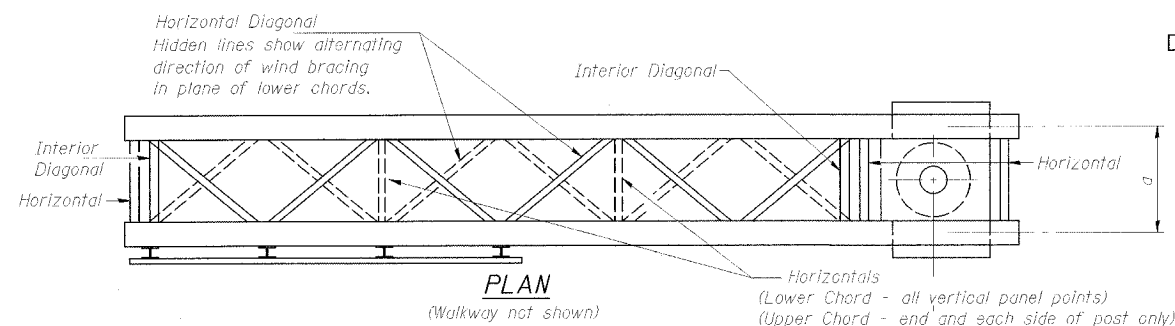


STATE OF ILLINOIS
DEPARTMENT OF TRANSPORTATION

ROUTE NO.	SECTION	COUNTY	TOTAL SHEETS	SHEET NO.
55,80	*	WILL	497	283

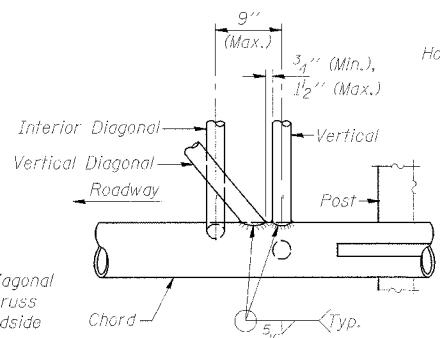
#80906

* 99-11K, BYBAC-8)

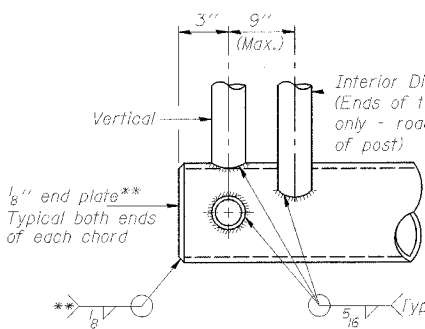


TYPICAL TRUSS UNIT
For Section B-B and Section C-C, see Base Sheet OSC-A-3.

Note: There are twice as many horizontal diagonals as there are vertical diagonals.



POST END JOINT DETAIL

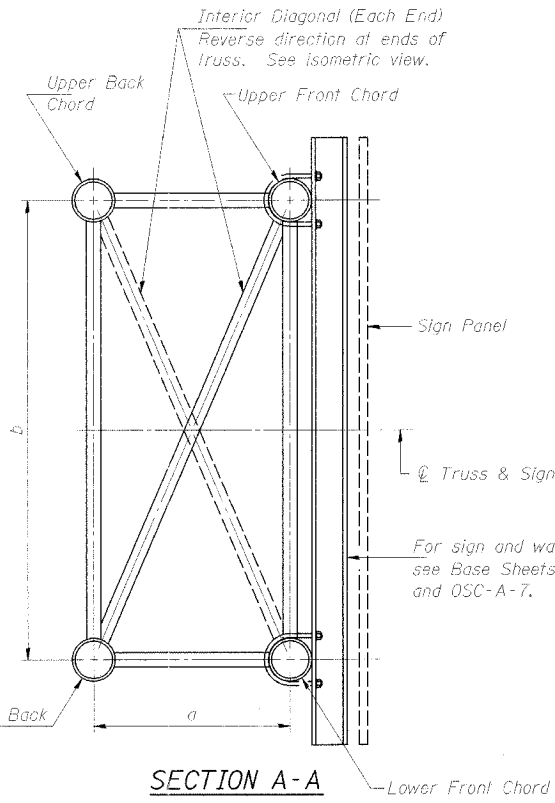


CANTILEVER END JOINT DETAIL

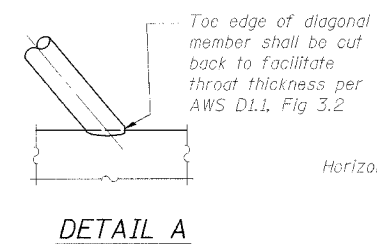
**Contractor may alternatively use standard aluminum drive-fit cap to close ends.

DESIGNED	SL	20
CHECKED	AS	EXAMINED
DRAWN	MD	PASSED
CHECKED	SL	ENGINEER OF BRIDGES AND STRUCTURES

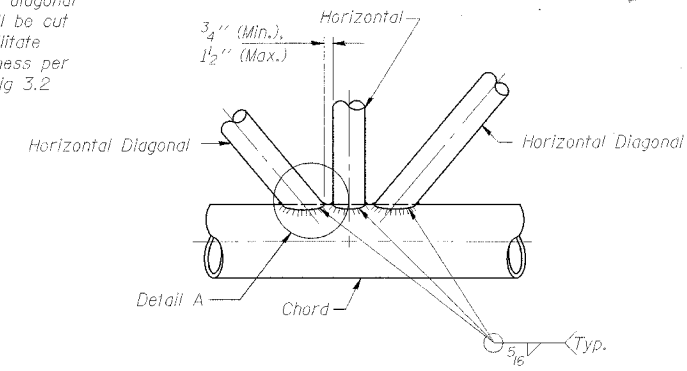
OSC-A-2 11/1/2002



SECTION A-A



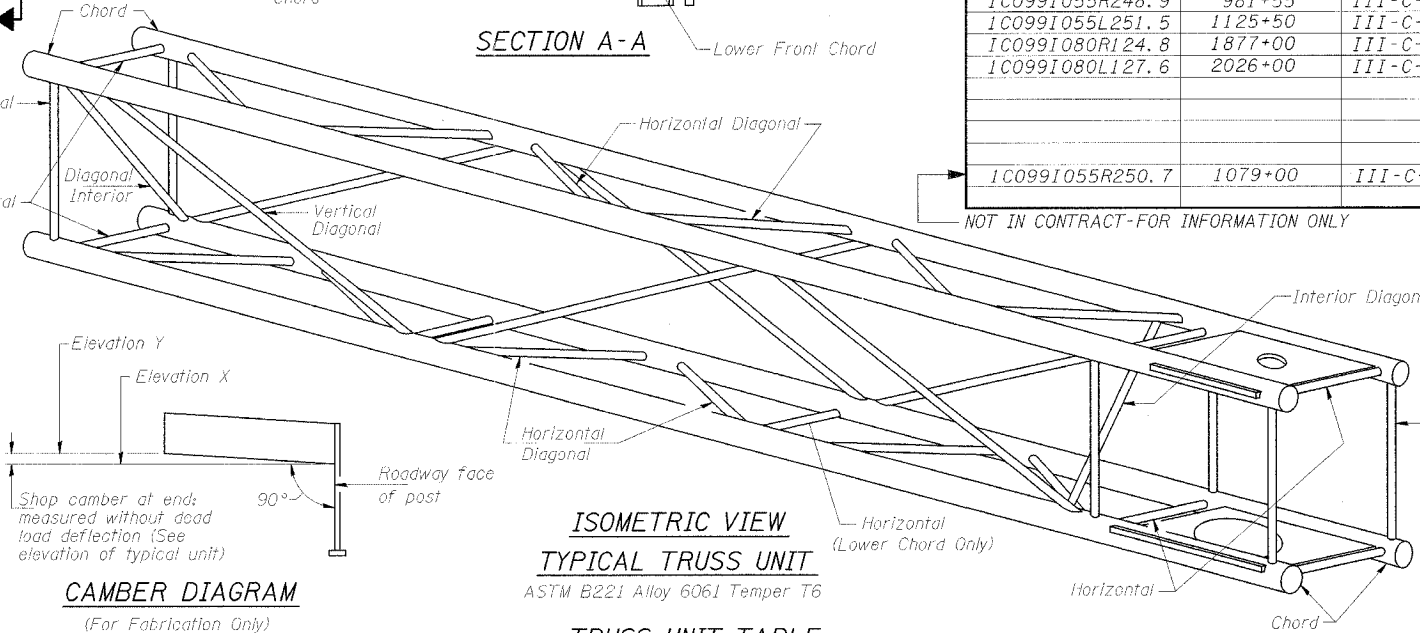
DETAIL A



TRUSS INTERIOR JOINT DETAIL

Structure Number	Station	Truss Type	Design Length (L)	Number of Panels Per Unit	Panel Length (P)*
IC099I080L126.1	1945+80	III-C-A	29'-0"	7	3'-10 1/4"
IC099I080R126.3	1952+30	III-C-A	30'-0"	7	4'-0"
IC099I055R248.9	981+55	III-C-A	31'-0"	7	4'-1 5/8"
IC099I055L251.5	1125+50	III-C-A	40'-0"	8	4'-9"
IC099I080R124.8	1877+00	III-C-A	31'-0"	6	4'-10"
IC099I080L127.6	2026+00	III-C-A	38'-0"	8	4'-6"
IC099I055R250.7	1079+00	III-C-A	32'-0"	8	3'-9"

NOT IN CONTRACT-FOR INFORMATION ONLY



ISOMETRIC VIEW
TYPICAL TRUSS UNIT

ASTM B221 Alloy 6061 Temper T6

TRUSS UNIT TABLE

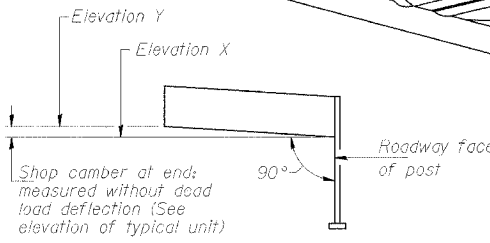
Truss Type	Dimension "a"	Dimension "b"	Dimension "s"	Limits for Panel Spacing (P)*	Up. & Low. Chord		Verticals; Horizontals; Vertical, Horizontal, and Interior Diagonals	
					O.D.	Wall	O.D.	Wall
I-C-A	24"	54"	16"	36" Min. to 48" Max.	5"	5/16"	2 1/2"	5/16"
II-C-A	36"	66"	21"	42" Min. to 54" Max.	6 1/2"	5/16"	3 1/4"	5/16"
III-C-A (35' Max.)	36"	84"	21"	48" Min. to 66" Max.	7"	3/8"	3 1/2"	3/8"
III-C-A (>35' to 40')	36"	84"	21"	48" Min. to 66" Max.	8"	3/8"	3 1/2"	3/8"

*P = (L-s-3") / # Panels

SHOP CAMBER TABLE

Unit Length (L)	Shop Camber at End
15'	1 1/2"
16'-17'	1 3/4"
18'-20'	2"
21'-22'	2 1/4"
23'-25'	2 1/2"
26'-27'	2 3/4"
28'-30'	3"
31'-32'	3 1/4"
33'-35'	3 1/2"
36'-37'	4"
38'-40'	4 1/2"

CAMBER DIAGRAM
(For Fabrication Only)



NUMBER	REVISION	DATE

SGN-31

CANTILEVER SIGN STRUCTURES
TRUSS DETAILS
ALUMINUM TRUSS & STEEL POST
ILLINOIS DEPARTMENT OF TRANSPORTATION
F.A.I. 80 & F.A.I. 55 INTERCHANGE
OVERHEAD SIGN STRUCTURES CANTILEVER