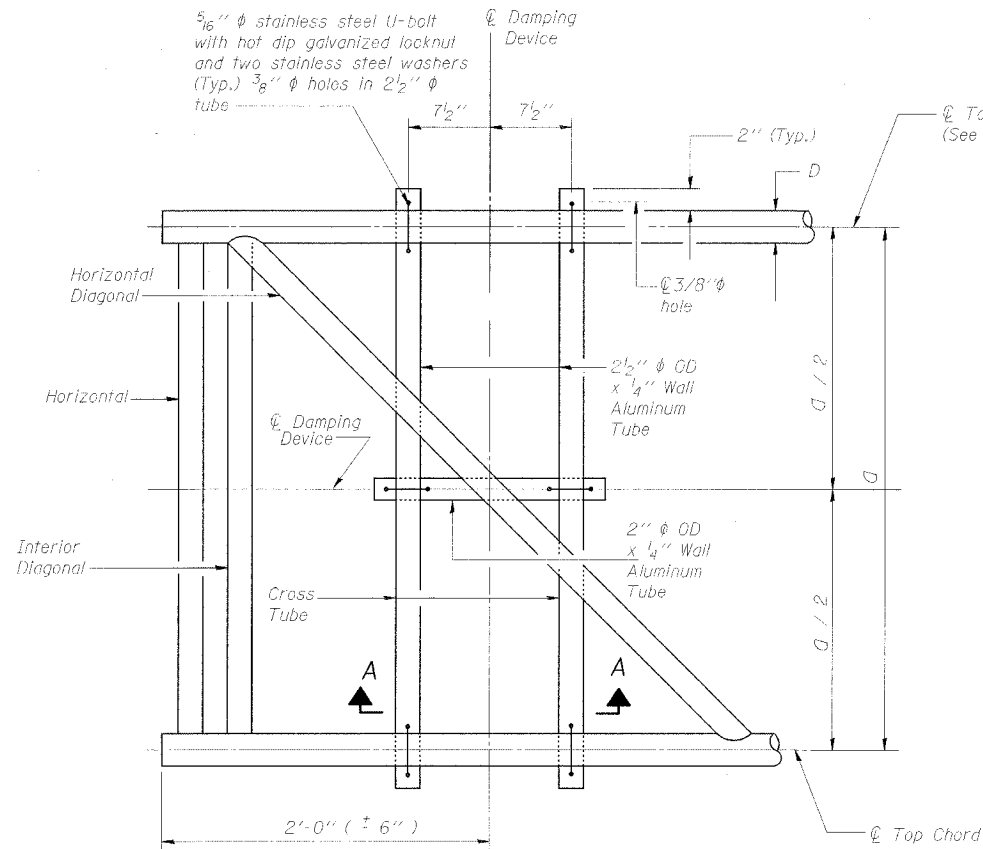


STATE OF ILLINOIS
DEPARTMENT OF TRANSPORTATION

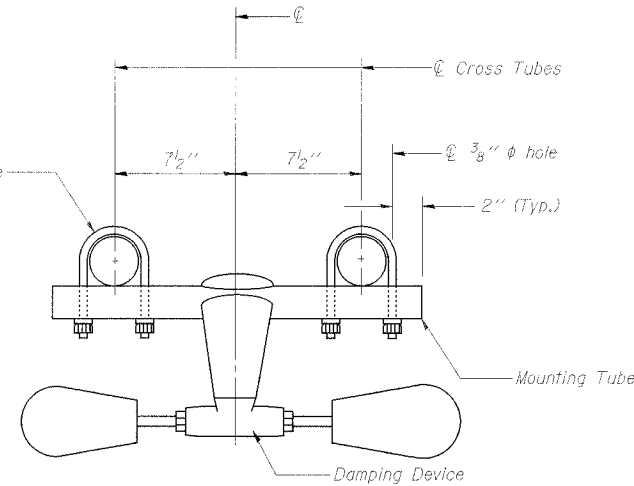
ROUTE NO.	SECTION	COUNT	TOTAL SHEETS	SHEET NO.
55,60	*	WILL	497	284
<small>FED. ROAD DIST. NO. 1</small> <small>ILLINOIS</small> <small>FED. AID PROJECT</small> <small>* 99-11K, BYBAC-8</small>				

#80906

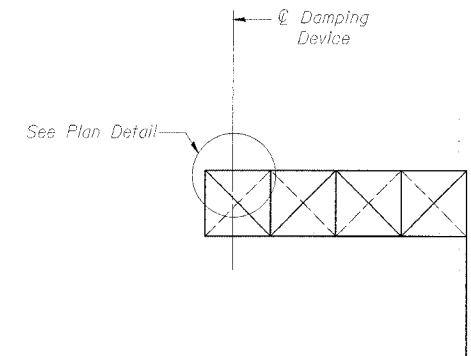


PLAN DETAIL

5/16" ϕ stainless steel U-bolt with hot dip galvanized locknut and two stainless steel washers (Typ.) 3/8" ϕ holes in mounting tube



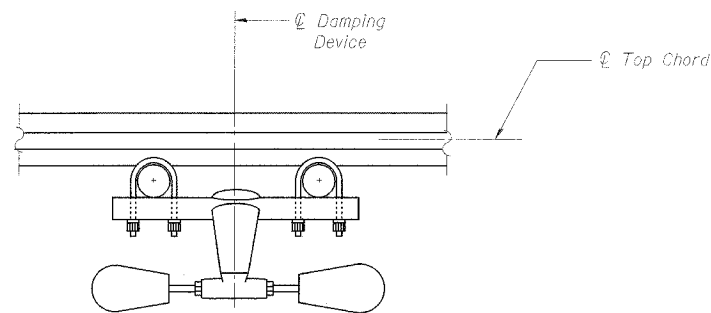
TRUSS DAMPING DEVICE CONNECTION DETAIL



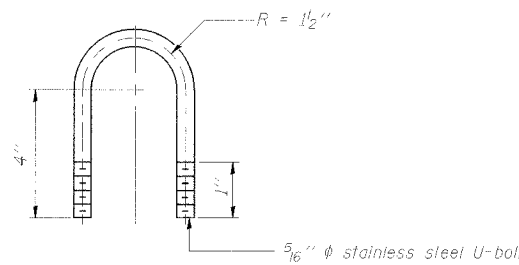
ELEVATION
Aluminum Cantilever Sign Structure

GENERAL NOTES

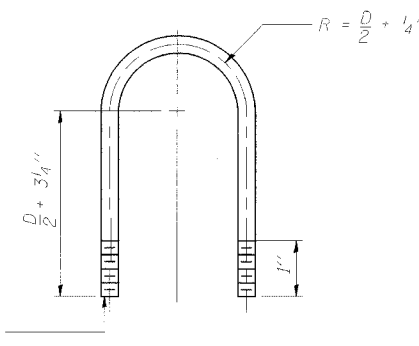
- Damper: One damper per truss. (31 lbs. Stockbridge-Type Aluminum)
- Materials: Aluminum tubes shall be ASTM B221 alloy 6061 temper T6



SECTION A-A



DAMPING DEVICE MOUNTING TUBE U-BOLT DETAIL
(Typical)



TOP CHORD TO CROSS TUBE U-BOLT DETAIL
(Typical)

DESIGNED	SL
CHECKED	AS
DRAWN	MD
CHECKED	SL

EXAMINED	20
PASSED	ENGINEER OF STRUCTURAL SERVICES
	ENGINEER OF BRIDGES AND STRUCTURES

OSC-A-D 11/1/2002

SGN-32

CANTILEVER SIGN STRUCTURE DAMPING DEVICE

ILLINOIS DEPARTMENT OF TRANSPORTATION
F.A.I. 80 & F.A.I. 55 INTERCHANGE
OVERHEAD SIGN STRUCTURES CANTILEVER