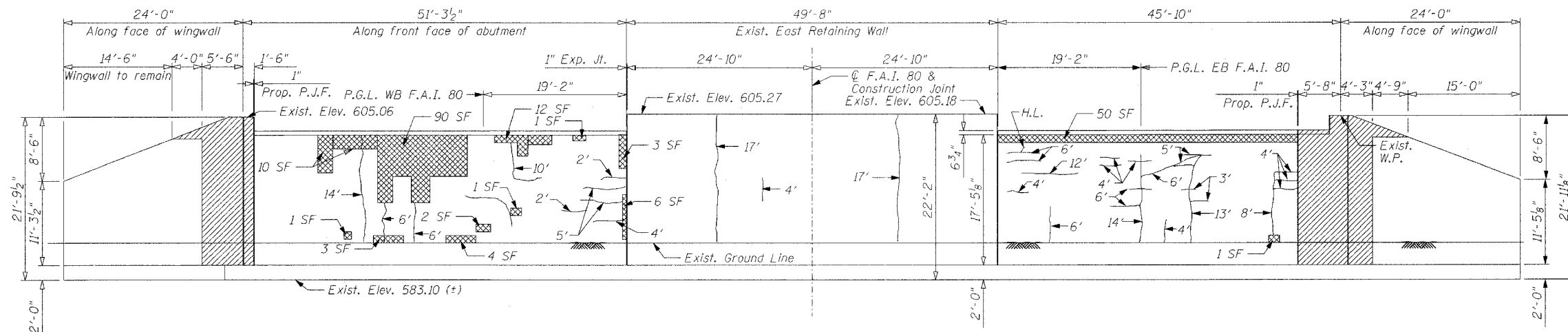
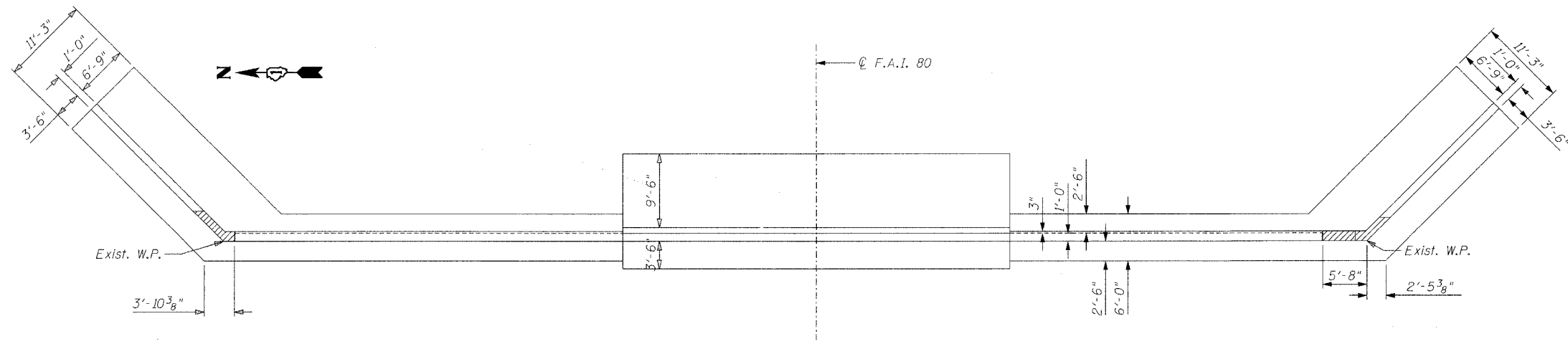


F.A.I. RTE.	SECTION	COUNTY	TOTAL SHEETS	SHEET NO.
80	99-10(K, BY & AC-B)	COOK	497	309
STA.	TO STA.			
FED. ROAD DIST. NO.	ILLINOIS	FED. AID PROJECT		
Sheet S-10 of S-21				CONTRACT 80906



ELEVATION  
(Looking East)



PLAN

BILL OF MATERIAL

ITEM	UNIT	QUANTITY
Concrete Removal	Cu. Yd.	15.1
Formed Concrete Repair (Depth Equal to or Less than 5")	Sq. Ft.	194
Epoxy Crack Sealing	Lin. Ft.	235

- Formed Concrete Repair
- Concrete Removal

Note: All quantities and dimensions are approximate and must be verified in the field.

REVISIONS	
NAME	DATE

**Clorba Group, Inc.**  
CONSULTING ENGINEERS  
507 NORTH CUMBERLAND AVENUE • CHICAGO, ILLINOIS 60654 • (773) 775-6109

ILLINOIS DEPARTMENT OF TRANSPORTATION  
EAST ABUTMENT REMOVAL AND REPAIR  
FAI-80 OVER WEST FRONTAGE ROAD  
FAI-80 SECTION 99-1 (K, BY & AC-B)  
WILL COUNTY  
FAI-80 STA. 1931+99.35  
STRUCTURE NO. 099-0042, 099-0043, 099-0308  
SCALE: NONE DRAWN BY BWS  
DATE: OCTOBER 2004 CHECKED BY GDW

DATE: 10/20/05  
FILENAME: n:\proj\2890\2890-02\design\structural\2890-02-s-10-eastabut-repair.dgn