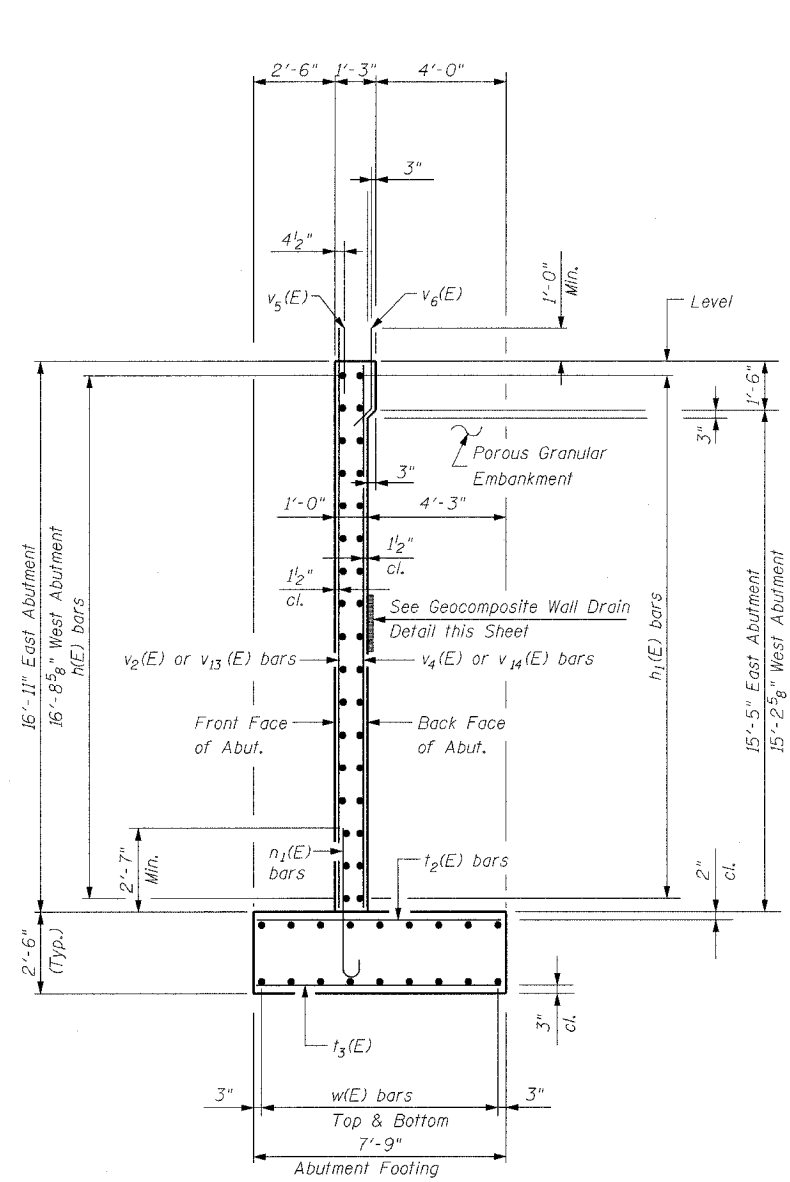
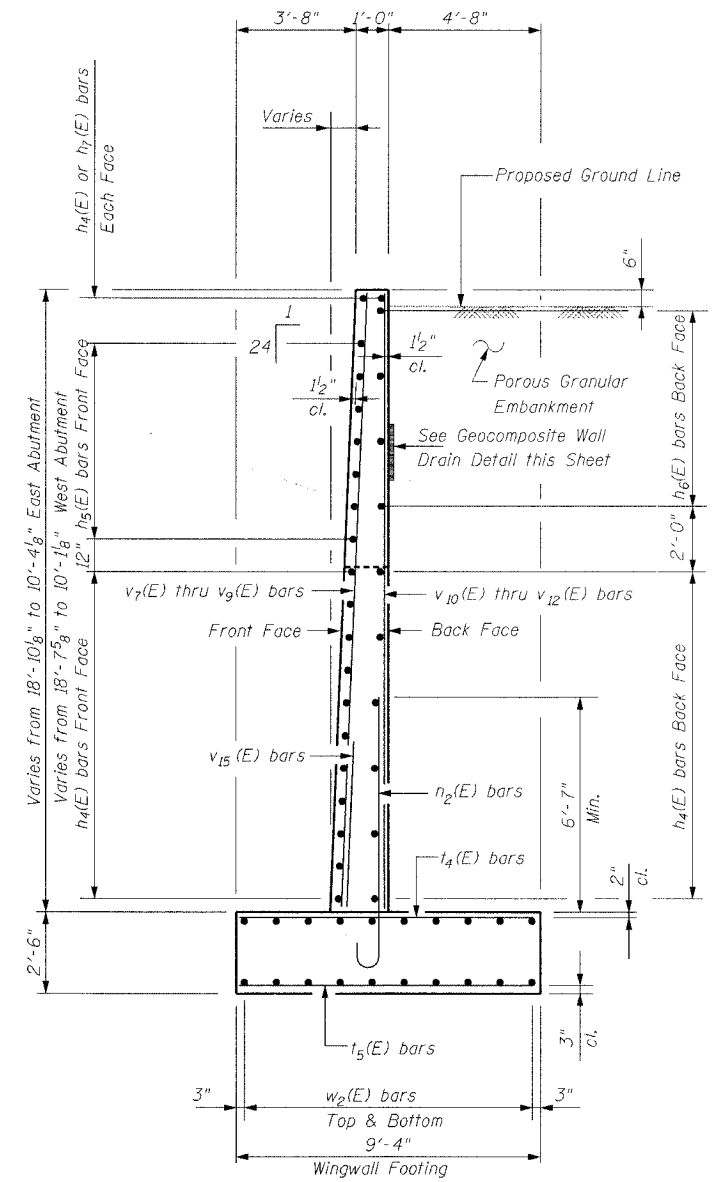


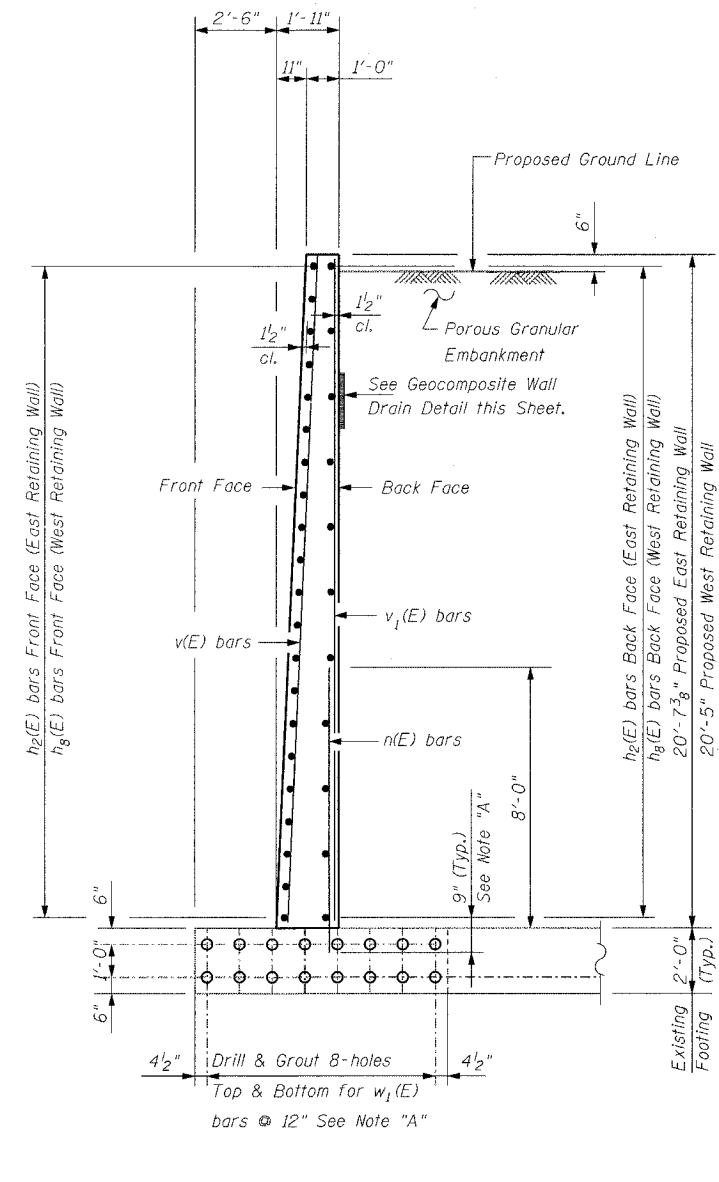
F.A.I. RTE.	SECTION	COUNTY	TOTAL SHEETS	SHEET NO.
80	99-1K, BY & AC-B	COOK	497	313
STA.	TO STA.			
FED. ROAD DIST. NO.	ILLINOIS	FED. AID PROJECT		
Sheet S-14 of S-21			CONTRACT 80906	



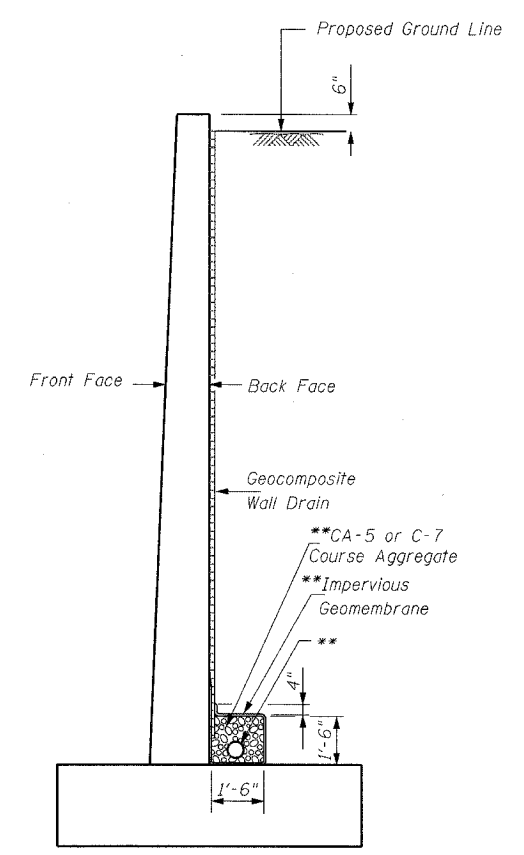
**SECTION A-A**



**SECTION B-B**



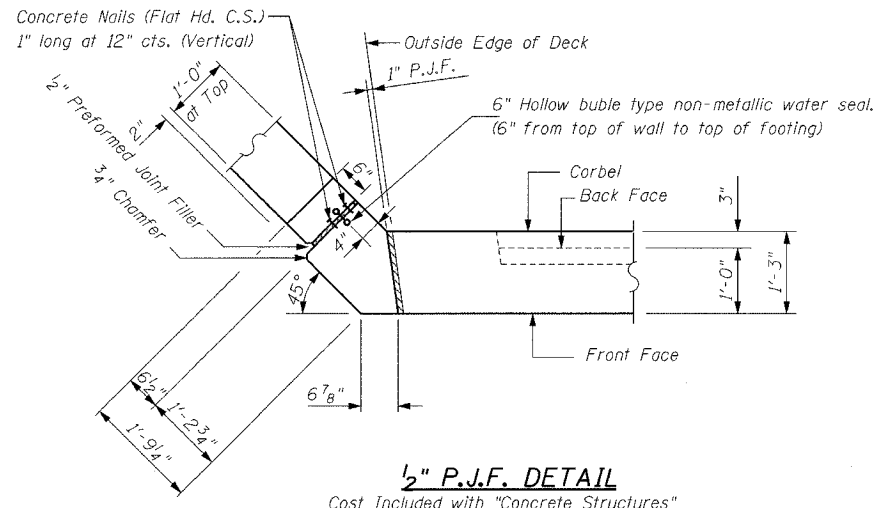
**SECTION C-C**



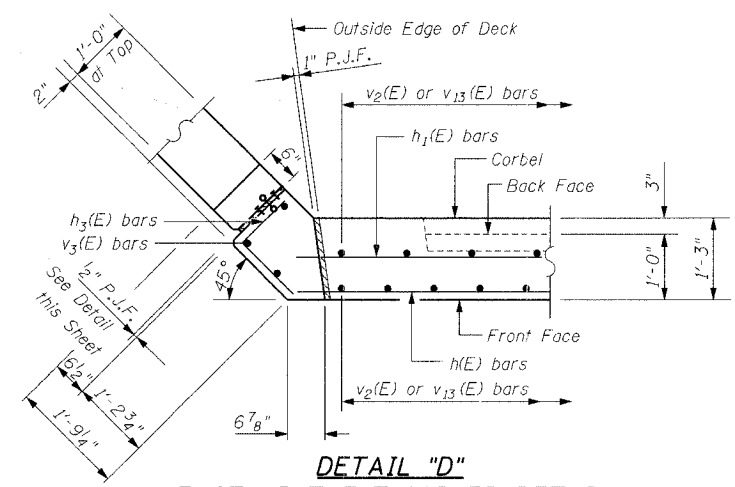
\*\* 6" perforated drain pipe encased in 18" of CA-5 or CA-7 course aggregate. Cost of course aggregate, geotechnical fabric, impervious geomembrane included in the cost of "Pipe Underdrains for Structures 6" ". See Special Provisions

**GEOCOMPOSITE DRAIN DETAIL**

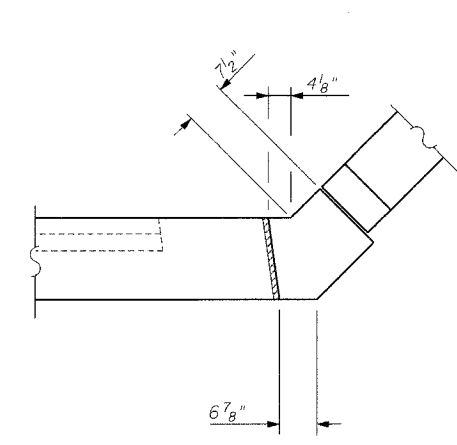
Note "A": Epoxy grout n(E) and w1(E) bars in 9" minimum drilled holes according to Section 584 of Standard Specifications.



**1/2" P.J.F. DETAIL**  
Cast Included with "Concrete Structures" East Abutment Shown, West Abutment Similar Except as Shown in West Abutment Corner Detail.



**DETAIL "D" EAST ABUTMENT CORNER DETAIL**  
East Abutment Shown, West Abutment Similar Except as Shown in West Abutment Corner Detail.



**DETAIL "DI" WEST ABUTMENT CORNER DETAIL**  
West Abutment Shown

REVISIONS	
NAME	DATE

**Clorba Group, Inc.**  
CONSULTING ENGINEERS  
2007 NORTH CUMBERLAND AVENUE - CHICAGO, ILLINOIS 60608 - (773) 775-4009

ILLINOIS DEPARTMENT OF TRANSPORTATION  
RAMP A ABUTMENTS SECTIONS & DETAILS  
FAI-80 OVER WEST FRONTAGE ROAD  
FAI-80 SECTION 99-1 (K, BY & AC-B)  
WILL COUNTY  
FAI-80 STA. 1931+99.35  
STRUCTURE NO. 099-0042, 099-0043, 099-0308  
SCALE: NONE DRAWN BY IMG  
DATE: OCTOBER 2004 CHECKED BY GDW

DATE: 10/20/05  
FILENAME: n:\proj\2890-02\design\structural\2890-02-s-14-ramp-a-abutdetails.dgn