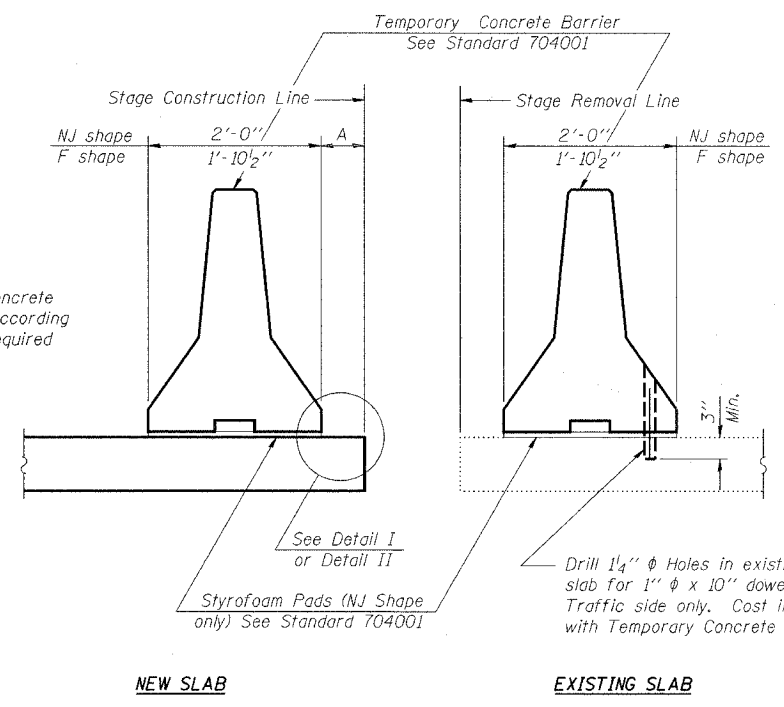


F.A.I. RTE.	SECTION	COUNTY	TOTAL SHEETS	SHEET NO.
80	99-1(K,BY&AC-B)	COOK	497	317
STA.	TO STA.			
FED. ROAD DIST. NO.	ILLINOIS	FED. AID PROJECT		
Sheet S-18 of S-21			CONTRACT 80906	

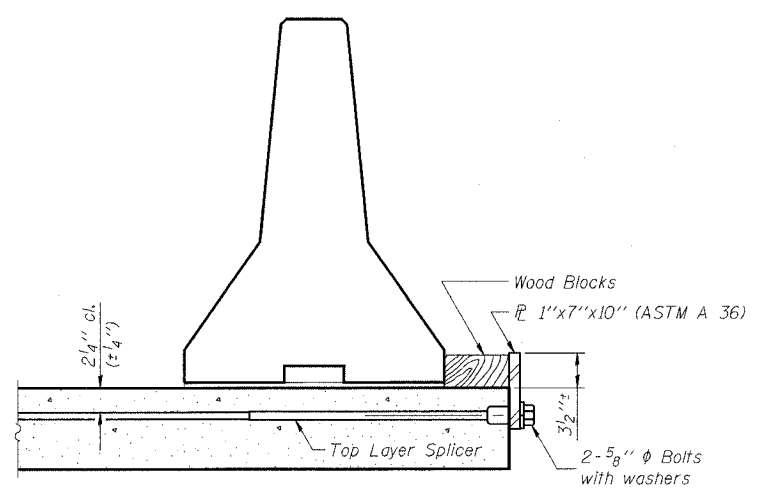


When "A" is 3'-6" or less, the temporary concrete barrier shall be Anchored to the new slab according to Detail I or Detail II. No anchorage is required when "A" is greater than 3'-6".

NOTES

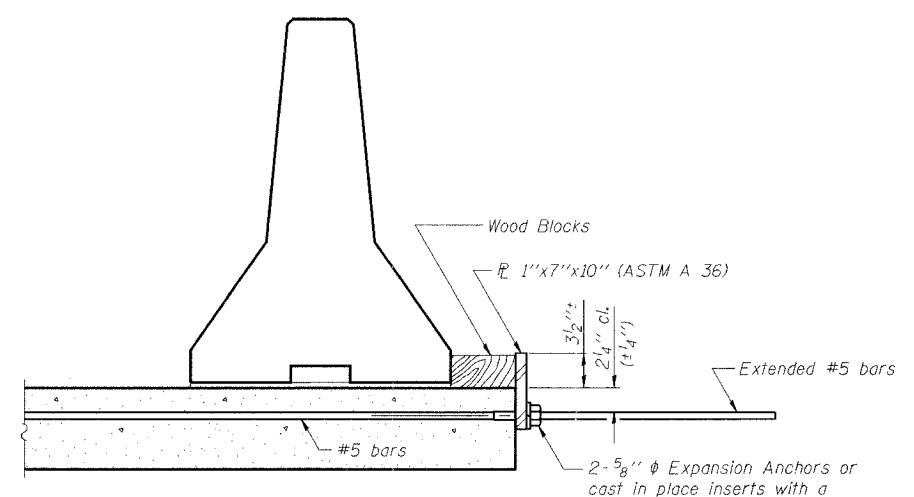
- Detail I - With Bar Splicer or Couplers:
Connect one (1) 1"x7"x10" steel \bar{E} to the top layer of couplers with 2-5/8" ϕ bolts screwed to coupler at approximate \bar{C} of each barrier panel.
- Detail II - With Extended Reinforcement Bars:
Connect one (1) 1"x7"x10" steel \bar{E} to the concrete slab with 2-5/8" ϕ Expansion Anchors or cast in place inserts spaced between the top layer of reinforcement at approximate \bar{C} of each barrier panel.
- Cost of anchorage is included with Temporary Concrete Barrier.

SECTIONS THRU SLAB



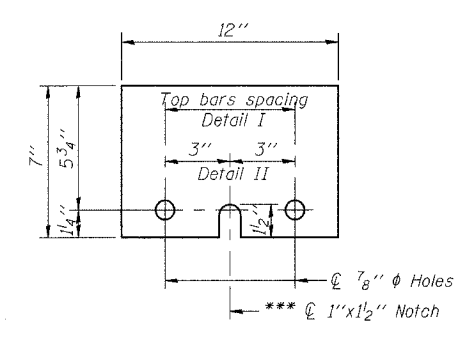
DETAIL I

The 1"x7"x10" Plate shall not be removed until Stage II Construction forms and reinforcement bars are in place.



DETAIL II

The 1"x7"x10" Plate shall not be removed until Stage II Construction forms and all reinforcement bars are in place and the concrete is ready to be placed.



1"x7"x12"

*** Required only with Detail II

TEMPORARY CONCRETE BARRIER FOR STAGE CONSTRUCTION

Clorba Group, Inc.
CONSULTING ENGINEERS
507 NORTH CUMBERLAND AVENUE - CHICAGO, ILLINOIS 60666 - (773) 735-4000

REVISIONS	
NAME	DATE

ILLINOIS DEPARTMENT OF TRANSPORTATION
TEMPORARY CONCRETE BARRIER
FAI-80 OVER WEST FRONTAGE ROAD
FAI-80 SECTION 99-1 (K,BY & AC-B)
WILL COUNTY
FAI-80 STA. 1931+99.35
STRUCTURE NO. 099-0042, 099-0043, 099-0308
SCALE: NONE
DATE: OCTOBER 2004

DRAWN BY IMG
CHECKED BY GDW

DATE: 10/20/05
FILENAME: n:\proj\2890\2890-02\design\structural\2890-02-s-18-tempconcretebarrier.dgn