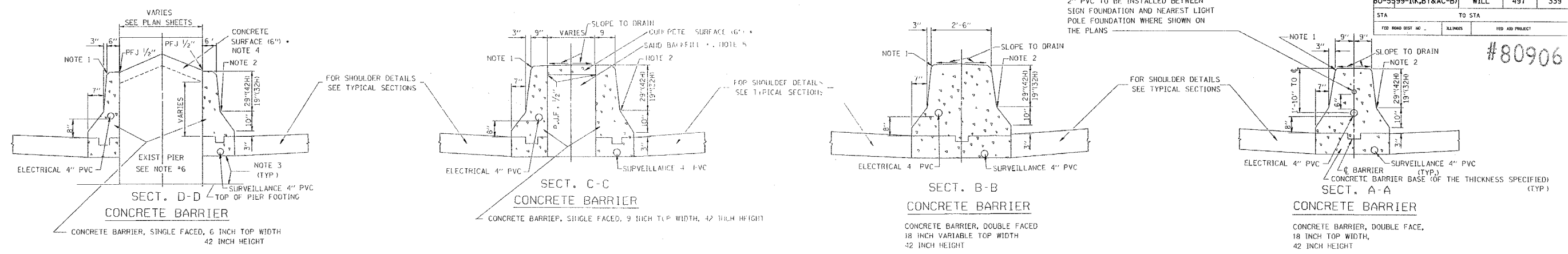


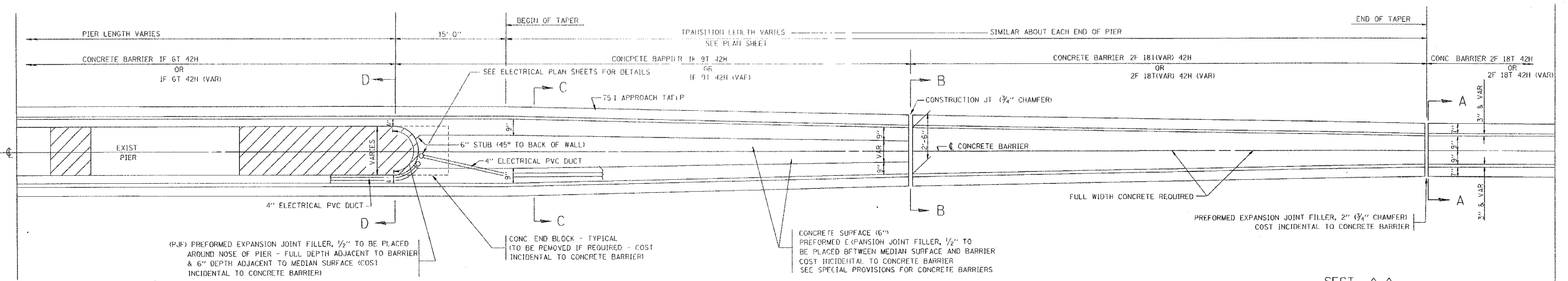
F.A. NO.	SECTION	COUNTY	TOTAL SHEETS	SHEET NO.
BO-5599-1(K, BY&AC-B)	WILL	497	339	
STA.	TO STA.		FED. AID PROJECT	

#80906

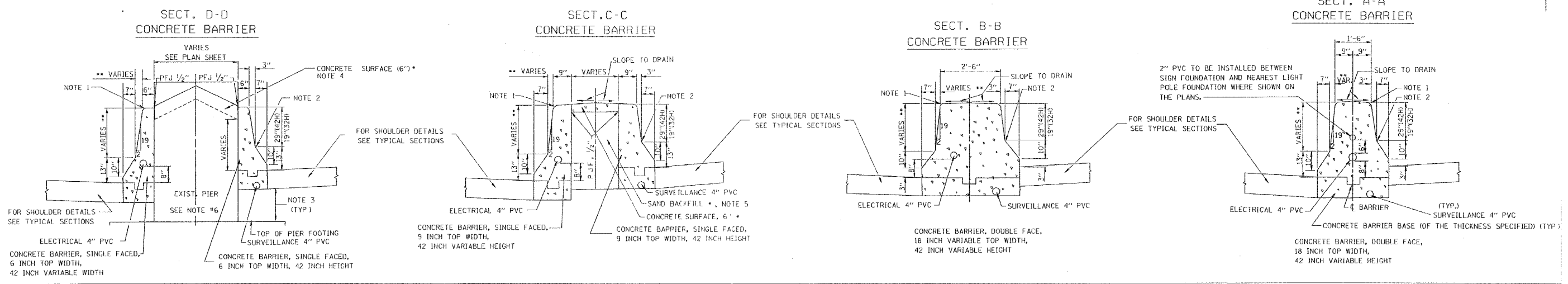
TANGENT CONDITION



PLAN VIEW OF CONCRETE BARRIER TRANSITION



(SUPER ELEVATION CONDITION)



- GENERAL NOTES**
- FOR UNDERDRAIN DETAILS SEE TYPICAL SECTIONS
 - PREFORMED JOINT FILLER SHALL BE INCIDENTAL TO THE CONCRETE BARRIER OF THE TYPE INVOLVED.
 - FOR KEYWAY (F) DIMENSIONS, SEE TYPICAL SECTIONS
 - CONCRETE BARRIER BASE PAY ITEM IS TO BE INCLUDED IF THE BARRIER IS CONSTRUCTED MONOLITHIC OR JOINTED TO BASE. IF JOINTED CONTRACTORS WILL HAVE THE OPTION OF USING A KEYWAY OR TIE BARS AT _____ O C

- NOTE 1** - 3/4" CHAMFER OR 1" RADIUS (OPTIONAL)
- NOTE 2** - 10" RADIUS (OPTIONAL)
- NOTE 3** - EXTEND BOTTOM OF BARRIER TO FOOTING ONLY WHEN DEPTH IS 6" OR LESS, OTHERWISE MAINTAIN SAME DEPTH AS BOTTOM OF SHOULDER
- NOTE 4** - PIER FILLER MATERIAL TO BE CONCRETE IF MINIMUM 6" THICKNESS WILL BE MAINTAINED. IF 6" THICKNESS CANNOT BE MAINTAINED USE ASPHALT FILLER MATERIAL AS DIRECTED BY THE ENGINEER
- NOTE 5** - SAND BACKFILL AND CONCRETE SURFACE WILL BE REQUIRED FILLING WITH CONCRETE WILL NOT BE ALLOWED
- NOTE 6** - IF PIER IS NEW CONSTRUCTION BARRIER WALL MAY BE MONOLITHIC

- ** MAINTAIN SLOPE OF FACE AS SHOWN ON DETAIL. HEIGHT AND WIDTH OF BARRIER INCREASE WHERE A DIFFERENCE IN MEDIAN EDGE-OF-PAVEMENT GRADE ELEVATION EXISTS
- * COST OF SAND BACKFILL, CONCRETE SURFACE (6"), AND PIER FILLER MATERIAL WILL NOT BE INCIDENTAL.

REVISIONS	
NAME	DATE
FORD	9/9/88
FORD	12/6/88

ILLINOIS DEPARTMENT OF TRANSPORTATION
**CONCRETE BARRIER TRANSITION
 & GENERAL DETAILS
 CONCRETE BARRIER BASE**

SCALE: NONE
 DATE 12/19/2002

DRAWN BY J.B.P.
 CHECKED BY
 BD-27