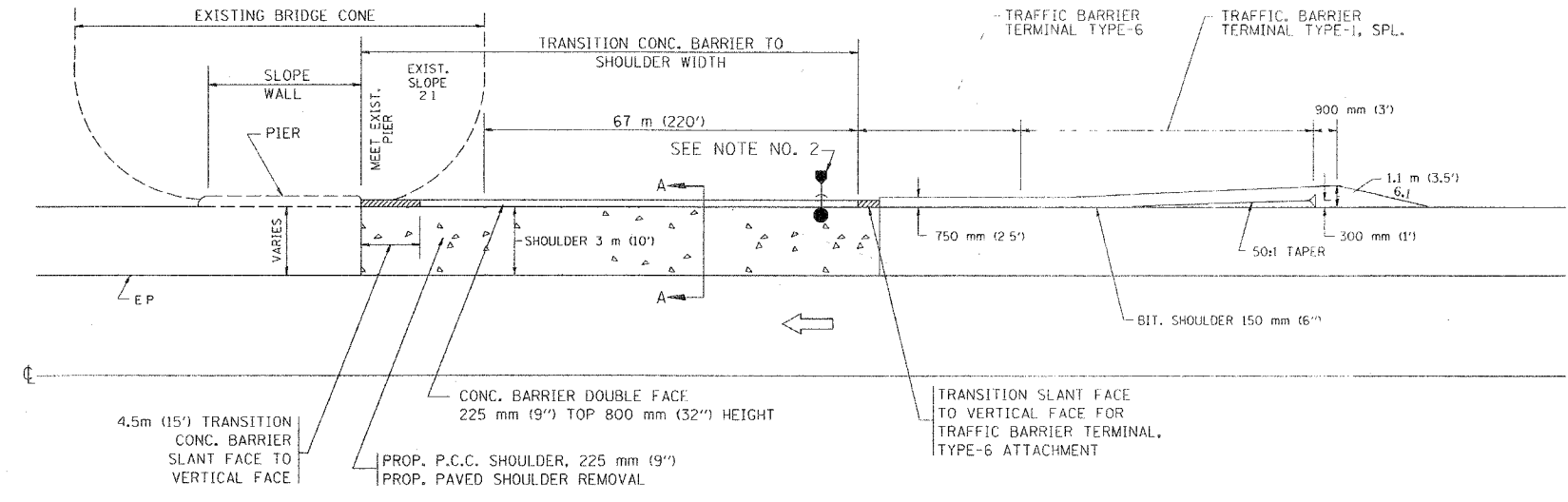
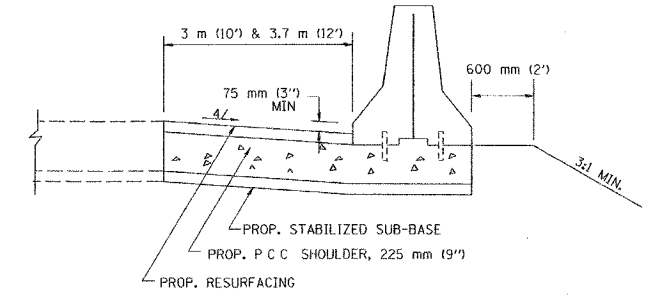


P & SHEET	SECTION	COUNTY	TOTAL SHEETS	SHEET NO.
80-55 99-1(K,BY&AC-B)	WILL		497	340
STA	TO STA			
FED ROAD DIST NO.	ILLINOIS	FED AID PROJECT		

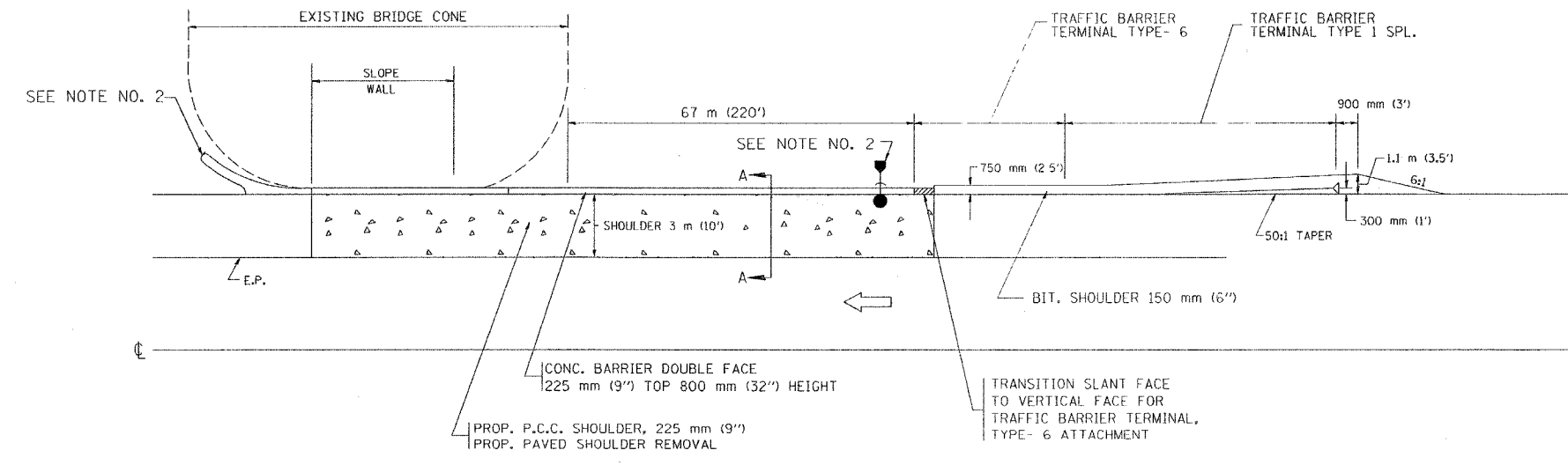
#80906



CONC. BARRIER ADJACENT TO SLOPE WALL WITH PIER (DITCH SECTION)



SECTION A-A



CONC. BARRIER ADJACENT TO SLOPE WALL WITHOUT PIER (DITCH SECTION)

NOTE:

1. SEE STATE STANDARD 630201 FOR STABILIZATION FOR GUARDRAIL.
- *2. THE GUTTER OUTLET AND CATCH BASIN LOCATION IS DEPENDENT ON DIRECTION OF FLOW.
3. USE CONC. BARRIER SINGLE FACE IF CLEARANCE BETWEEN PIER AND SHOULDER IS LESS THAN 685 mm (27").
4. SEE STATE STANDARD 637001 FOR CONCRETE BARRIER.

- * CATCH BASIN TYPE C, TYPE 24 FRAME AND GRATE
- * STORM SEWERS, 300 mm (12)
- * END SECTIONS, 300 mm (12)

REVISIONS	
NAME	DATE

ILLINOIS DEPARTMENT OF TRANSPORTATION

CONCRETE BARRIER PIER AND SLOPE WALL PROTECTION DETAIL

SCALE: VERT. NONE
HORIZ. NONE

DATE: 10/18/2002

DRAWN BY: CADD
CHECKED BY: SEB
BD600-08 (BD29)
REVISION DATE