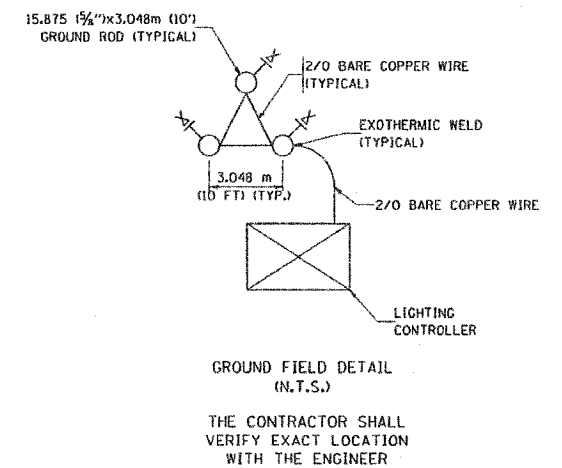
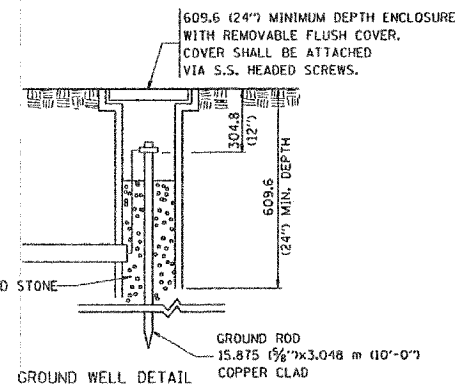
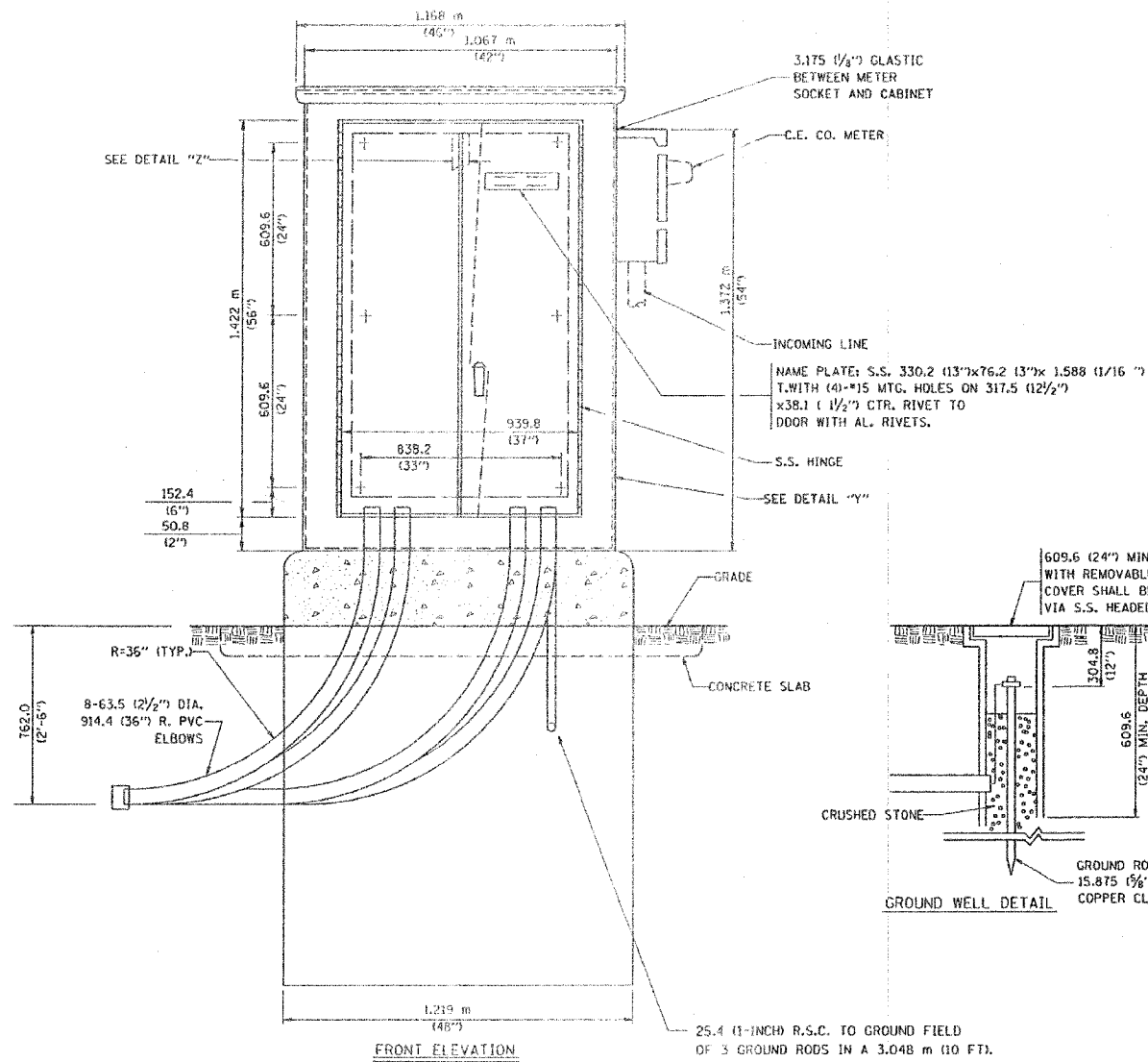
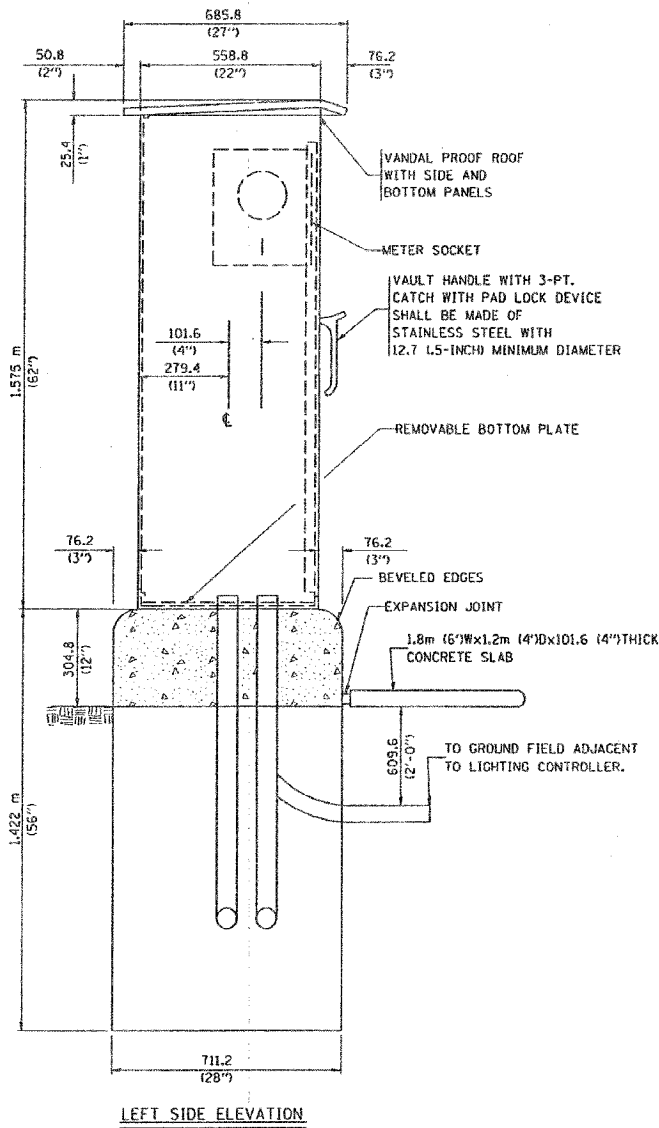
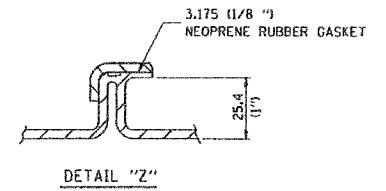
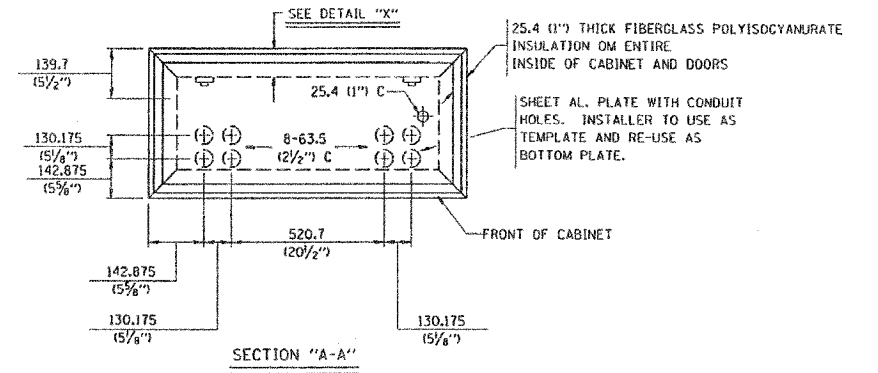
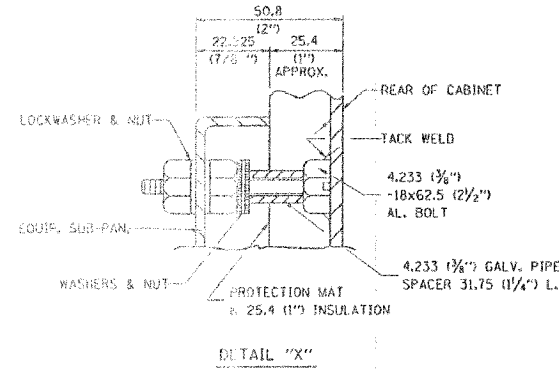
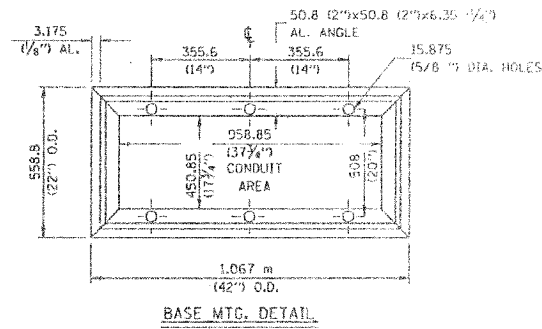
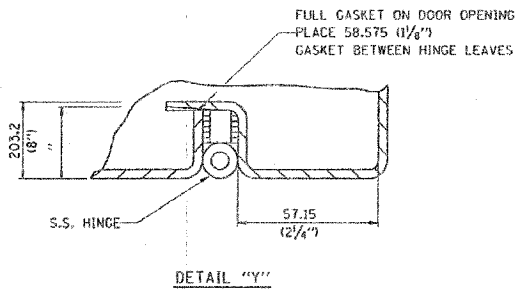


F. & B. NO.	SECTION	COUNTY	TOTAL SHEETS	SHEET NO.
80-5599-1(K, BY & AC-B)	WILL	497	345	
STA.	TO STA.			
FED. ROAD DIST. NO.	BLINDS	FED. AID PROJECT		

#80906



25.4 (1-INCH) R.S.C. TO GROUND FIELD OF 3 GROUND RODS IN A 3.048 m (10 FT). TRIANGLE CONNECTED VIA BARE COPPER WIRE. VERIFY EXACT LOCATION OF GROUND FIELD WITH THE ENGINEER. NO GROUND WELL SHALL BE PLACED IN CONCRETE PAD IN FRONT OF CONTROLLER.

ILLINOIS DEPARTMENT OF TRANSPORTATION  
LIGHTING CONTROLLER, RADIO CONTROL  
DUPLEX TYPE WITH SCADA  
BE-205 SHT 3 OF 4

REVISIONS	
NAME	DATE

SCALE: NONE  
DATE 01/24/2003  
DRAWN BY C.A.D.  
CHECKED BY BE205