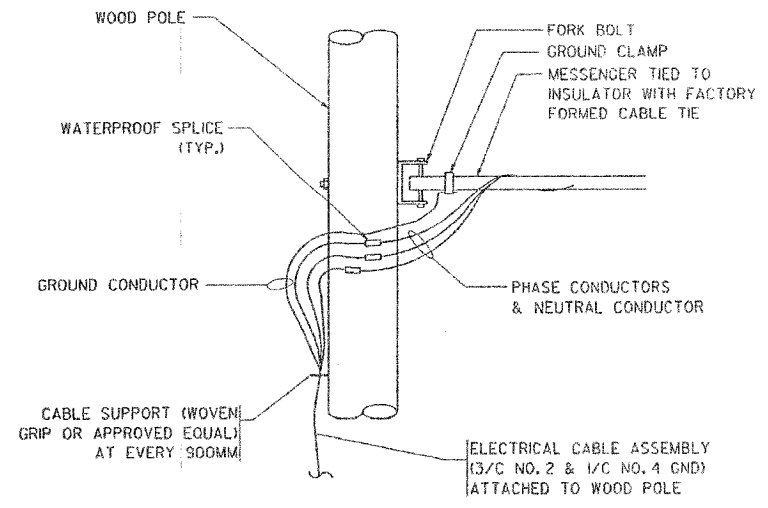
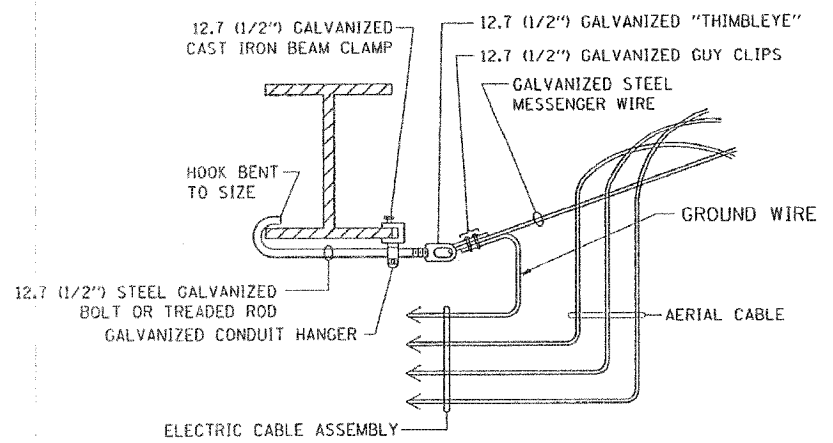


F.A. RTE.	SECTION	COUNTY	TOTAL SHEETS	SHEET NO.
80-55-99-11K, BY&AC-B		WILL	497	352
STA.	TO STA.			
FED. ROAD DIST. NO. 1 ILLINOIS FED. AID PROJECT				

#80906

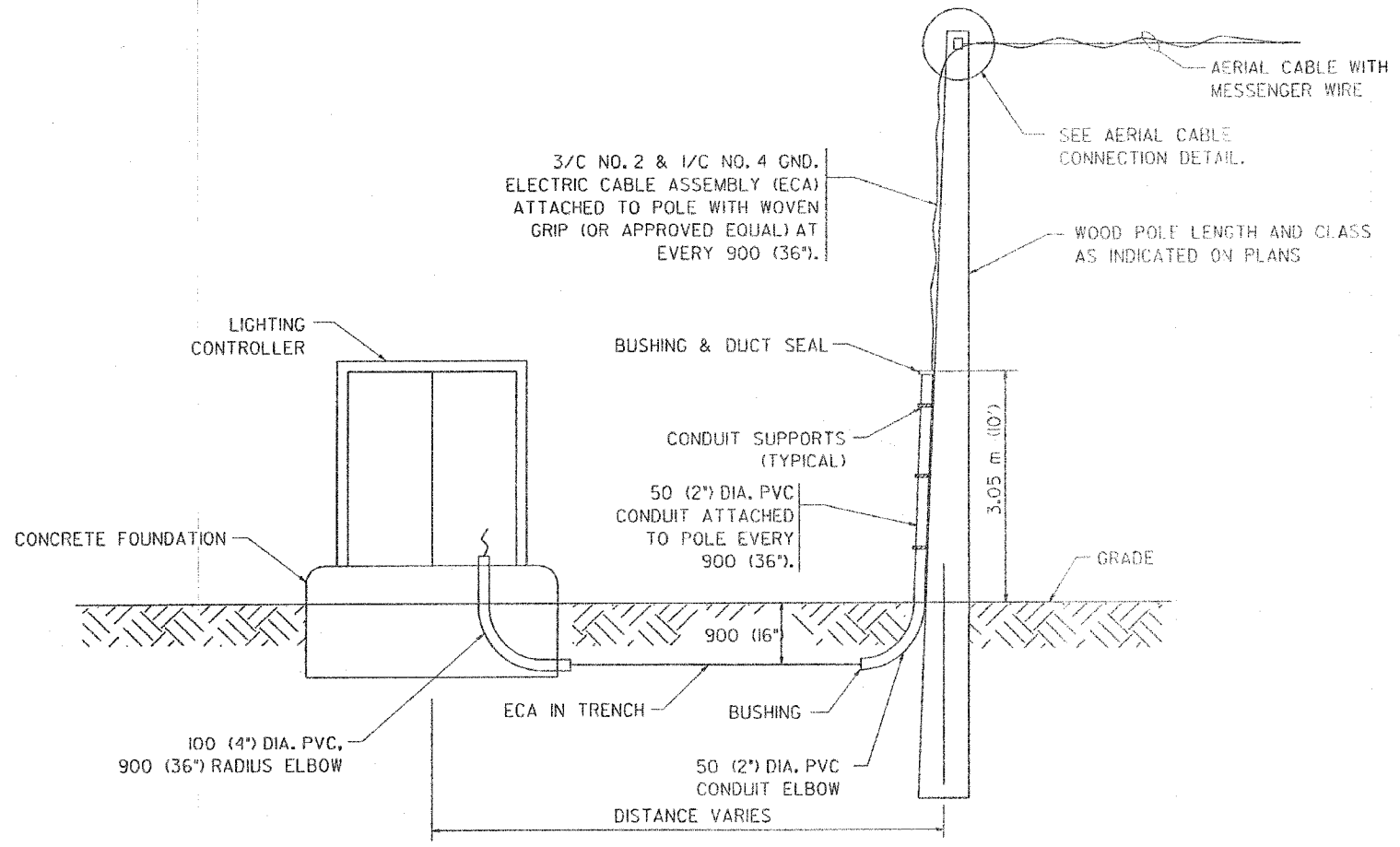


**AERIAL CABLE CONNECTION DETAIL**  
N.T.S.



**AERIAL CABLE ATTACHED TO STRUCTURE**  
NOT TO SCALE

- NOTES:**
1. ALL DIMENSIONS IN MILLIMETERS (INCHES) UNLESS OTHERWISE INDICATED.
  2. SEE PROPOSED LIGHTING PLAN FOR CONDUIT, CABLE AND ROUTING.
  3. THE CONTRACTOR SHALL PROVIDE INTERMEDIATE SUPPORTS TO MAINTAIN MINIMUM CLEARANCES. REFER TO AERIAL AERIAL CABLE ATTACHED TO STRUCTURE DETAIL.
  4. COST OF SPLICES AND MOUNTING HARDWARE SHALL BE INCLUDED IN THE UNIT PRICE FOR AERIAL CABLE.



**WOOD POLE TO LIGHTING CONTROLLER WIRING CONNECTION DETAIL**  
N.T.S.

REVISIONS	
NAME	DATE

ILLINOIS DEPARTMENT OF TRANSPORTATION

**TEMPORARY AERIAL CABLE INSTALLATION**

SCALE: NONE  
DATE 05/21/2003

DRAWN BY  
CHECKED BY