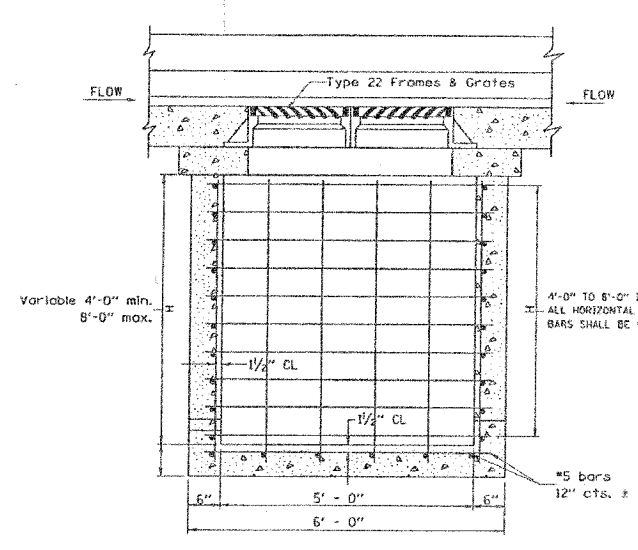
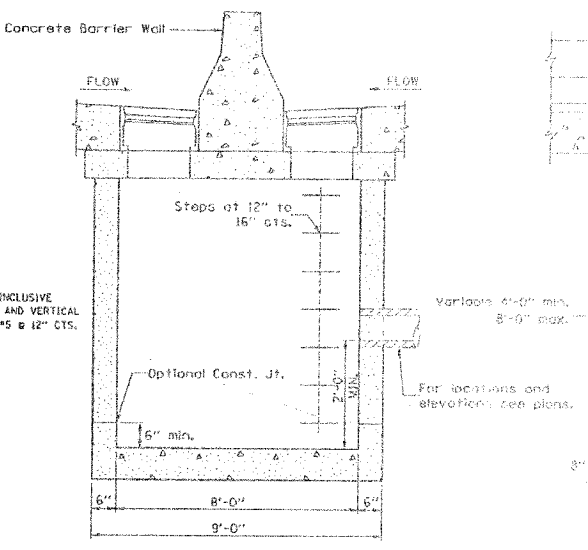


F.A. NO.	SECTION	COUNTY	TOTAL SHEETS	SHEET NO.
80-5599-1K, BY&AC-B)	WILL	497	353	
STA.	TO STA.			
FED. ROAD DIST. NO.	ILLINOIS	FED. AID PROJECT		

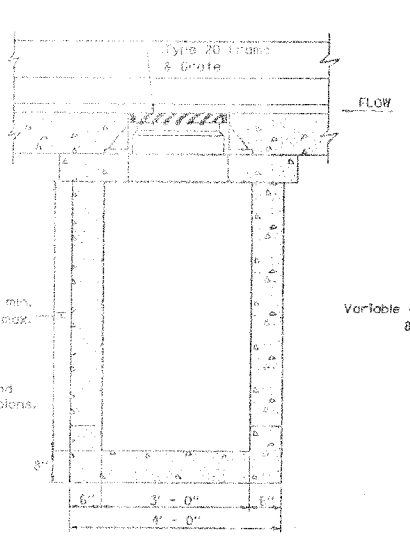
#80906



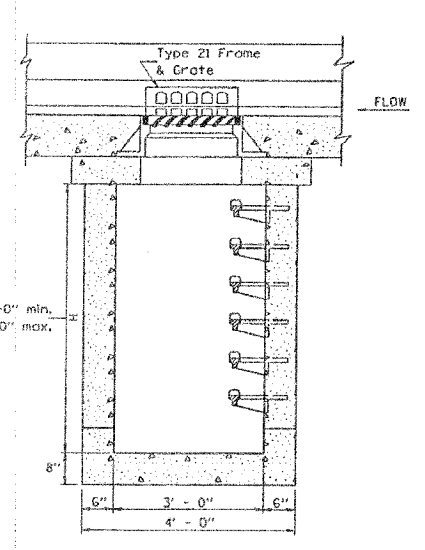
FRONT ELEVATION
(DRAINAGE STRUCTURE, TYPE 8x5)
TYPE 22 FRAME AND GRATE



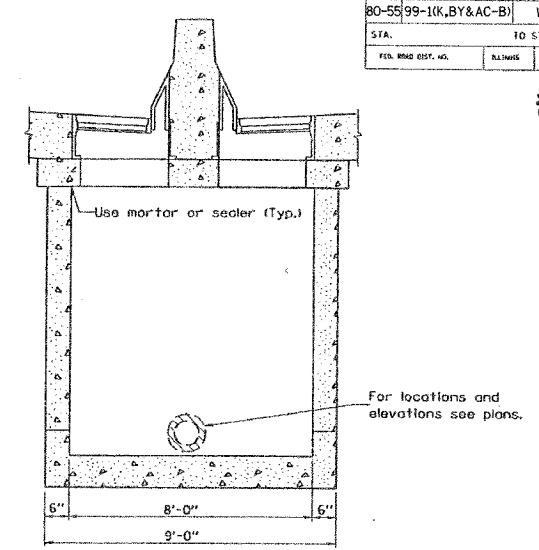
SIDE ELEVATION
(DRAINAGE STRUCTURE, TYPE 8x3 & 8x5)
TYPE 20 & 22 FRAME AND GRATE



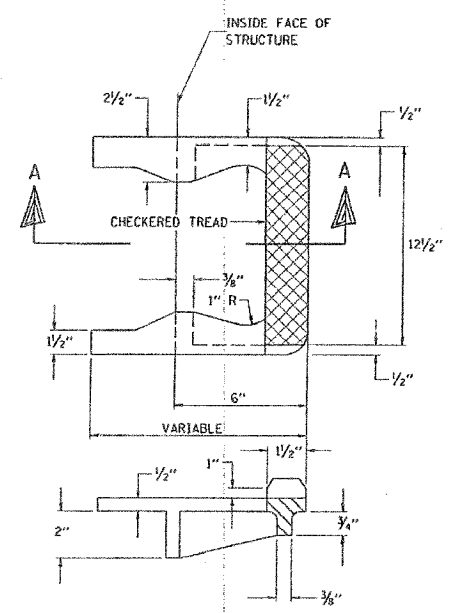
FRONT ELEVATION
(DRAINAGE STRUCTURE, TYPE 8x3)
TYPE 20 FRAME AND GRATE



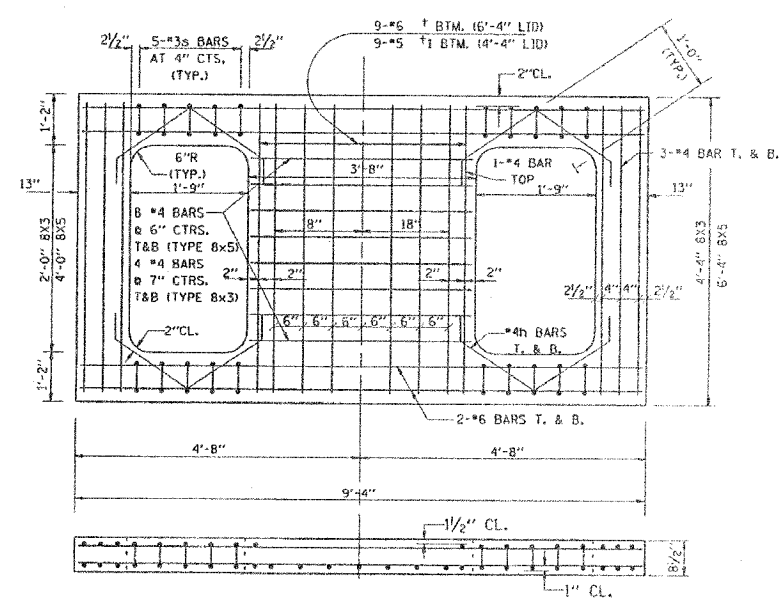
FRONT ELEVATION
(DRAINAGE STRUCTURE, TYPE 8x3)
TYPE 21 FRAME AND GRATE



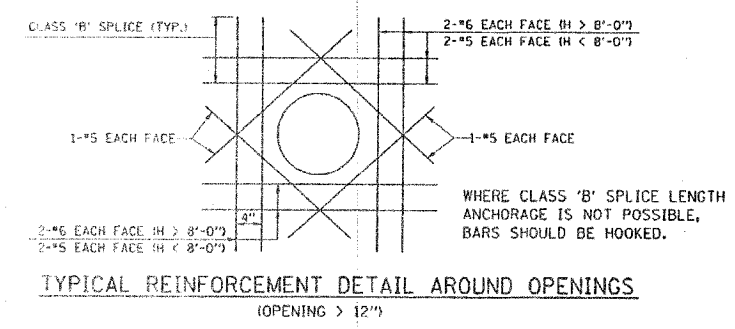
SIDE ELEVATION
(DRAINAGE STRUCTURE, TYPE 8x3)



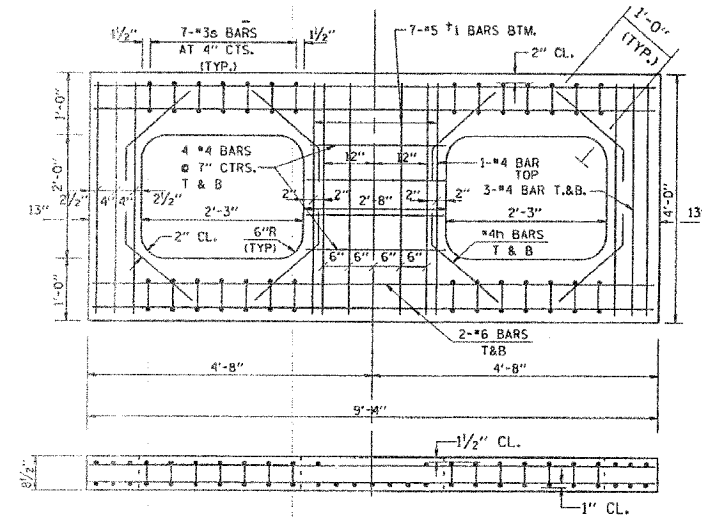
SECTION A-A
CAST IRON STEPS



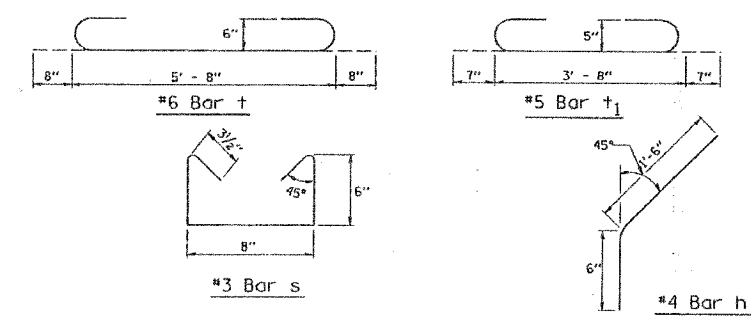
REINFORCED LID FOR
DRAINAGE STRUCTURES, TYPE 8x3 & 8x5
TYPE 20 & 22 FRAME AND GRATE



TYPICAL REINFORCEMENT DETAIL AROUND OPENINGS
(OPENING > 12")



REINFORCED LID FOR
DRAINAGE STRUCTURE, TYPE 8x3
TYPE 21 FRAME & GRATE
(FOR USE IN SAG AREAS)



BAR DETAILS

REVISIONS	
NAME	DATE

ILLINOIS DEPARTMENT OF TRANSPORTATION
EXPRESSWAY UNIT DETAIL
DRAINAGE STRUCTURES
TYPES 8x3 & 8x5
FOR H ≤ 8' - 0"

SCALE: NONE
DATE: 08/04/2003

DRAWN BY
CHECKED BY
CS-9

REVISION DATE: 8/1/03