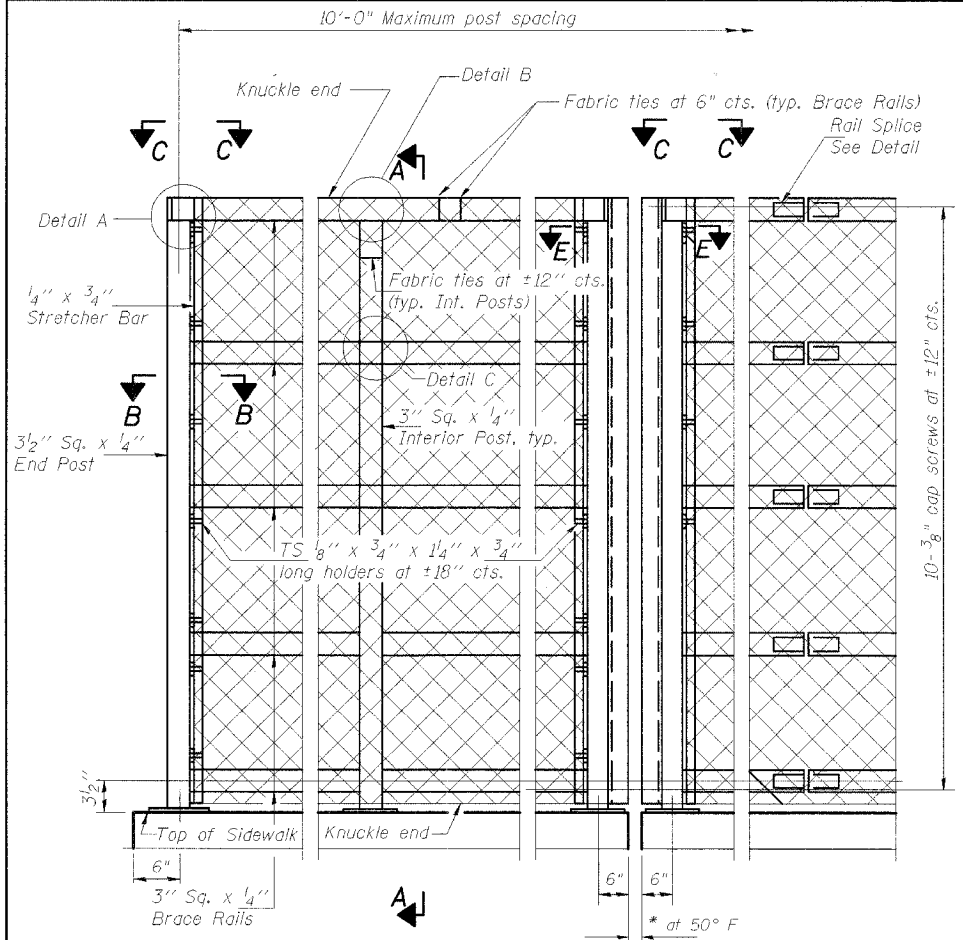
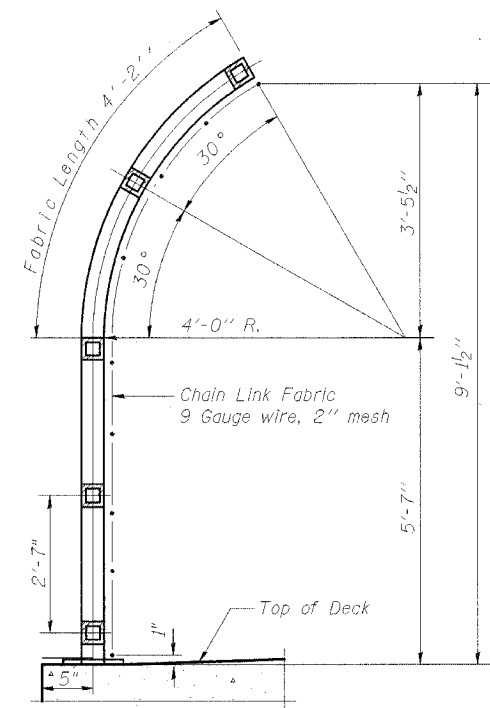


F.A.U. RTE.	SECTION	COUNTY	TOTAL SHEETS	SHEET NO.
	94-P4031-00	DUPAGE	54	24

CONTRACT NO. 83560 at 50° F

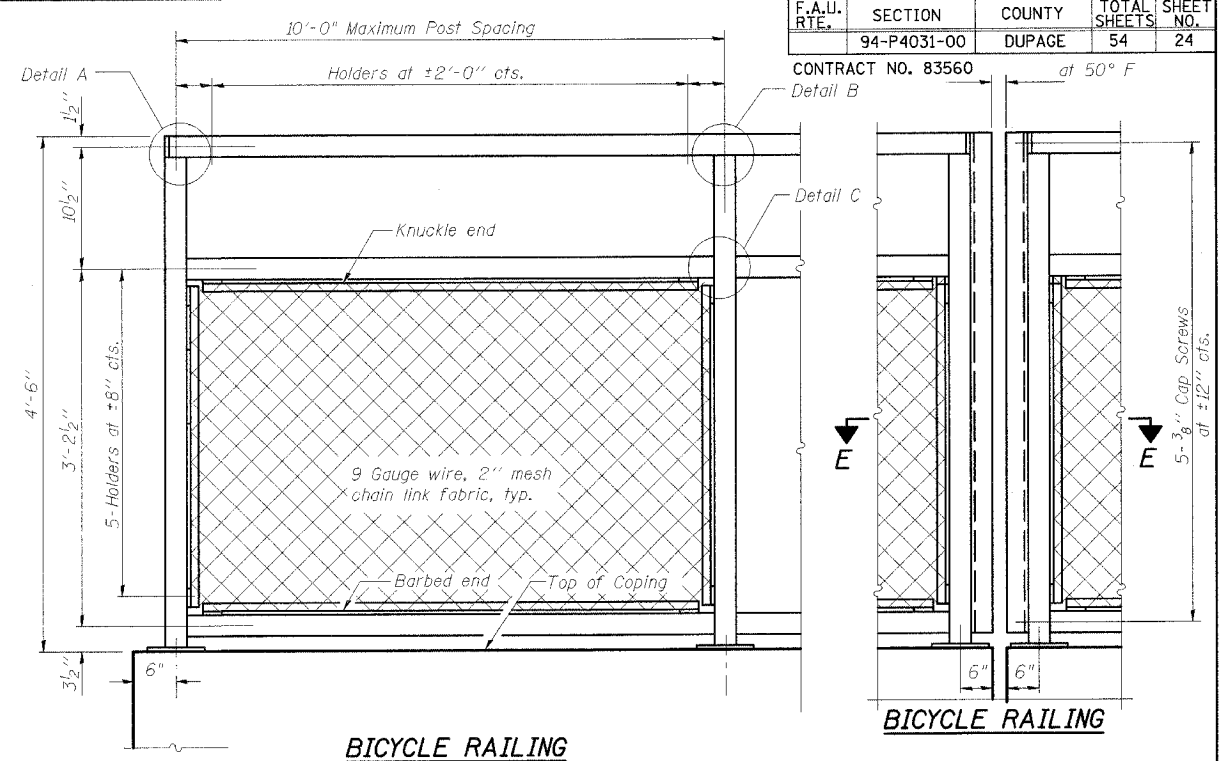


**BRIDGE FENCE RAILING**  
ELEVATION  
(Inside Face)



**SECTION A-A**

Note:  
Cost of shaft foundations included in pay item "Bicycle Railing"



**BICYCLE RAILING**

**BICYCLE RAILING**

**NOTES**

Railing shall be according to Section 509 of the Standard Specifications, except as noted, and will be paid for at the Contract Unit Price per foot for Bridge Fence Railing and Bicycle Railing.

The 9 gauge fabric ties shall be according to Article 1006.27(d) of the Standard Specifications.

Installation of the chain link fabric shall be according to Section 664 of the Standard Specifications.

Hollow structural sections shall conform to the requirements of ASTM designation A 847, weathering structural steel tubing. All other steel shapes and plates shall conform to the requirements of ASTM A 588, Grade 50.

The chain link fabric shall be placed along pedestrian side as shown on Section A-A.

Stretcher bars shall be used at each end of fabric.

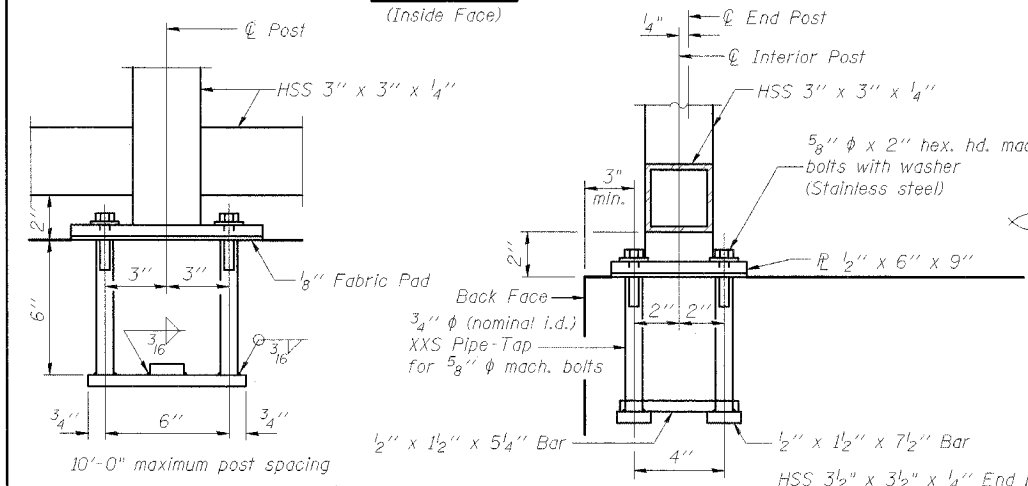
A minimum of one complete turn is required at ends of all fabric ties.

If the option of drilling and epoxy grouting the anchor rods is chosen, the Contractor shall use the capsule or the adhesive cartridge type anchor rods that have been previously tested and given a prior approval by the Department. The Contractor shall install these anchor rods in pre-drilled holes according to the manufacturer's recommendations and procedures. The capsule or the adhesive cartridge shall be sealed with pre-measured amounts of the adhesive chemical.

Space reinforcement to miss anchor rods.

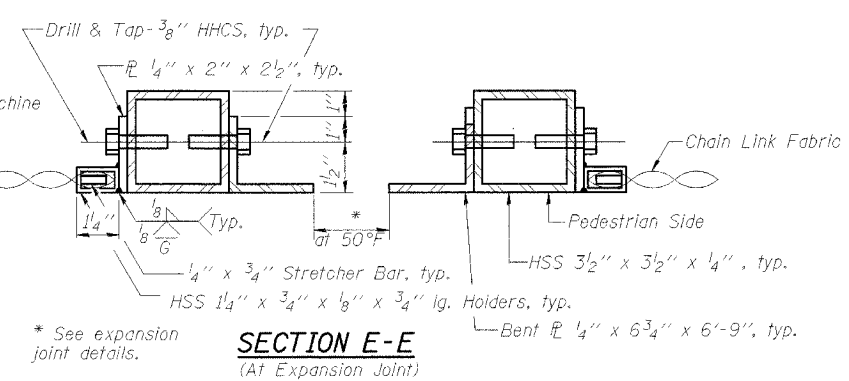
The chain link fabric shall conform to the requirements of Article 1006.27(a)(1)d of the Standard Specs.

The chain link fabric, ties and other accessories will be vinyl-coated in brown color, as approved by the Engineer.

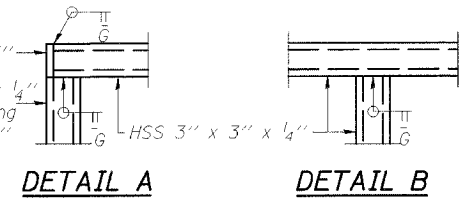


**ANCHOR BOLT DETAILS**

In lieu of the cast-in-place anchor device shown, the Contractor has the option of drilling and epoxy grouting 5/8" diameter anchor rods. Embedment shall be according to the manufacturer's specifications.

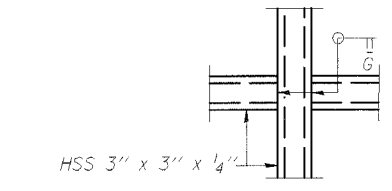


**SECTION E-E**  
(At Expansion Joint)

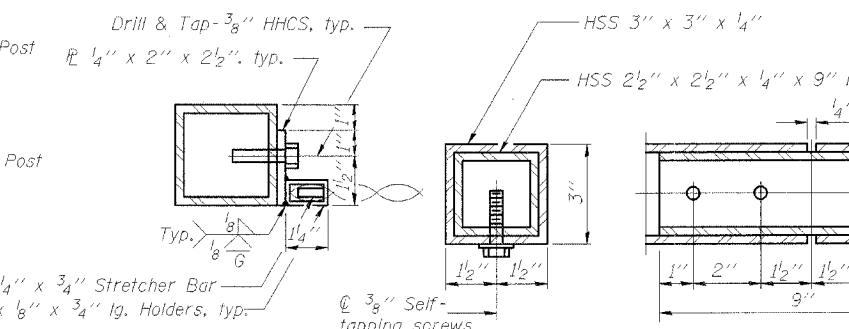


**DETAIL A**

**DETAIL B**

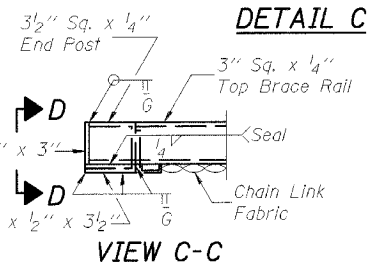


**DETAIL C**

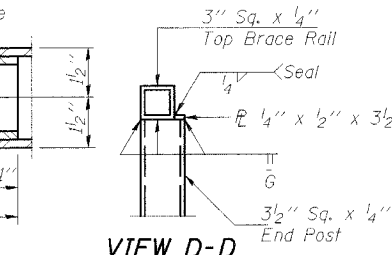


**SECTION B-B**

**RAIL SPLICE**



**VIEW C-C**



**VIEW D-D**

**BILL OF MATERIAL**

Item	Unit	Quantity
Bridge Fence Railing	Foot	1,824
Bicycle Railing	Foot	700
Rustic Rail Fence	Foot	590

INDEX OF BRIDGE SHEETS  
SHEET 51 OF 529  
Copyright © 2003 Cemcon, Ltd. All rights reserved.

PREPARED FOR:  
WHEATON PARK DISTRICT  
666 S. MAIN STREET  
WHEATON, ILLINOIS 60187

PREPARED BY:  
**CEMCON, Ltd.**  
Consulting Engineers, Land Surveyors & Planners  
2280 White Oak Circle, Suite 100  
Aurora, Illinois 60504-9675  
Ph: 630.862.2100 Fax: 630.862.2199  
E-Mail: cadd@cemcon.com Website: www.cemcon.com

NO.		DATE		DESCRIPTION	

BRIDGE RAILING DETAILS & BICYCLE RAILING DETAILS				
PEDESTRIAN/BICYCLE PATH BRIDGE OVER UNION PACIFIC RAILROAD				
FILE NAME: RAILING	DSGN. BY: MMH	JOB NO.: 551.007	FLD. BK./PG.: -----	SHEET NO.
DISC. NUMBER: 551007	DRN. BY: RDS	DATE: 04-26-04	SCALE: ----	24 of 54