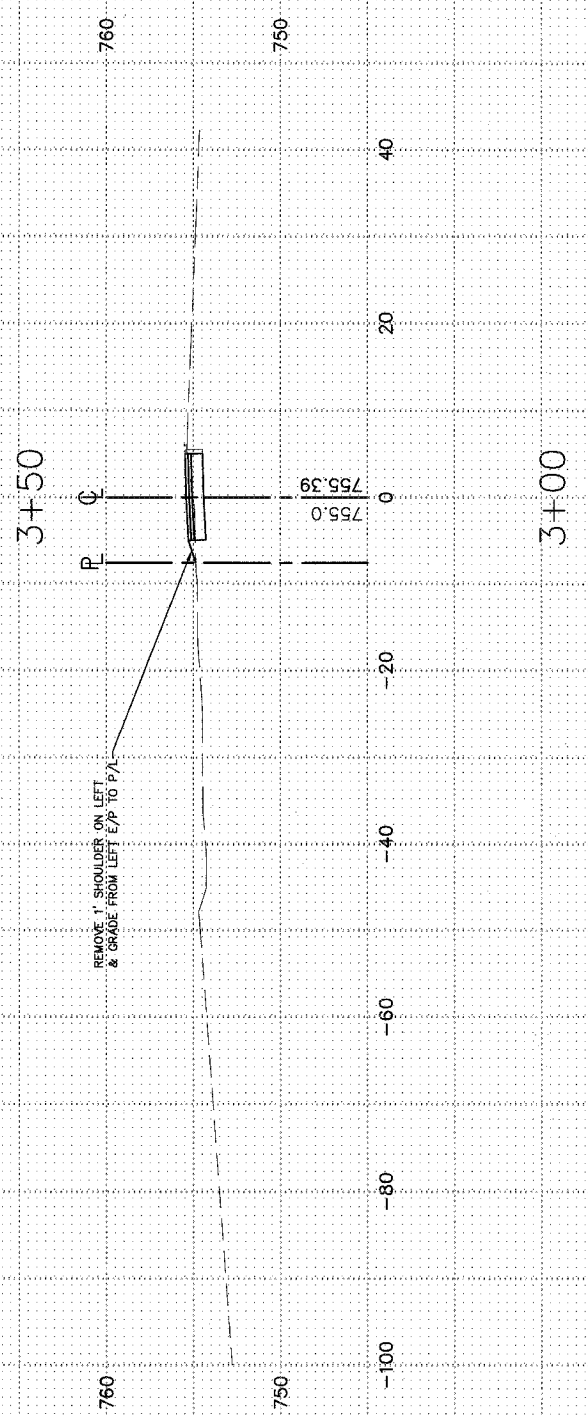
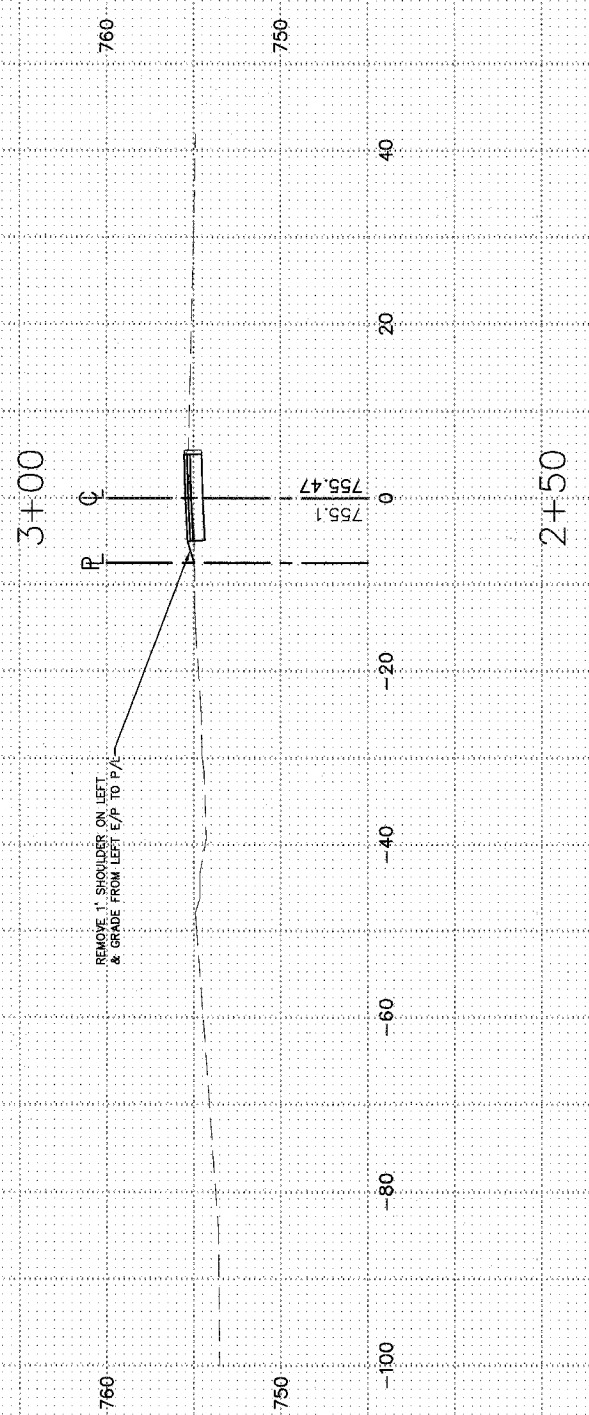


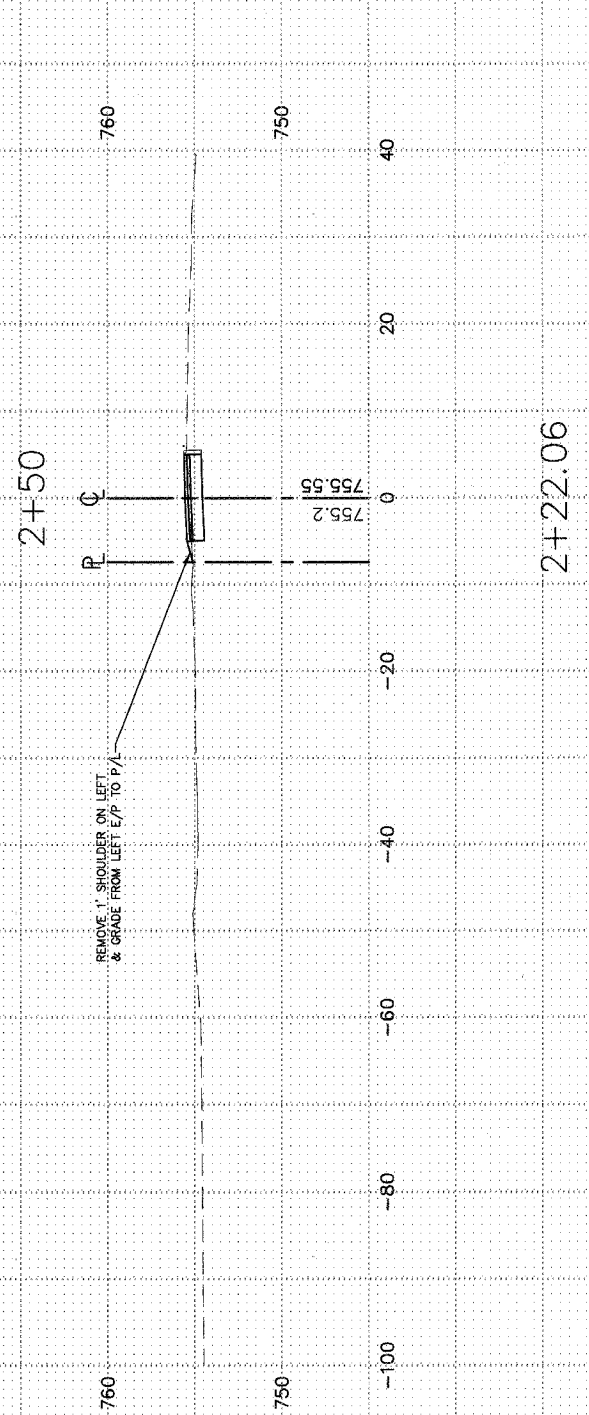
CUT = 6.6  
FILL = 0.24



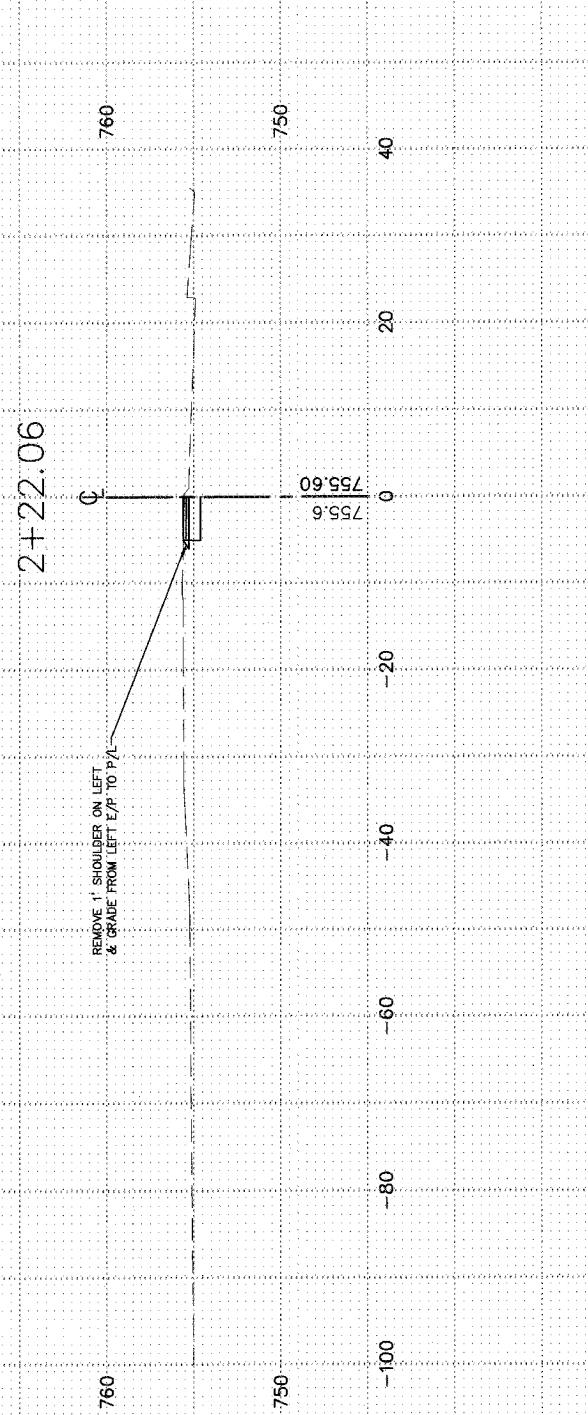
CUT = 7.0  
FILL = 0.21



CUT = 7.4  
FILL = 0.10



CUT = 5.2  
FILL = 0



PEDESTRIAN PATH STA. 2+22.06 TO STA. 3+50.00

FILE NAME: XSECTION	DSGN. BY: CA	JOB NO.: 551.007	FLD. BK./PG.: ----	SHEET NO.
DISC. NUMBER: 551007	DRN. BY: RDS	DATE: 04-26-04	SCALE: 1" = 10' H, 1" = 5' V	43 of 54

DWG: BRIDGE\_01