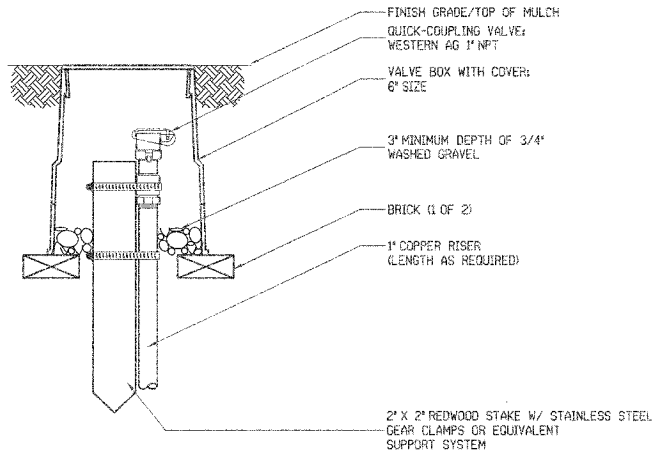


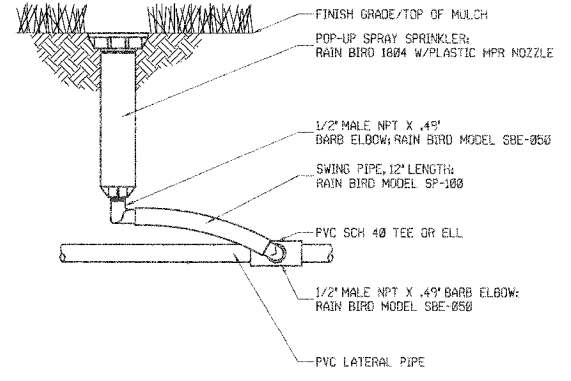
F.A.U. RTE.	SECTION	COUNTY	TOTAL SHEETS	SHEET NO.
2585	00-00068-01-WR	COOK	145	67
CONTRACT NO. 83785				



NOTES:
 1. INSTALLATION TO BE COMPLETED IN ACCORDANCE WITH MANUFACTURER'S SPECIFICATIONS.
 2. DO NOT SCALE DRAWINGS.

WESTERN AG 1" NPT QUICK-COUPLING VALVE

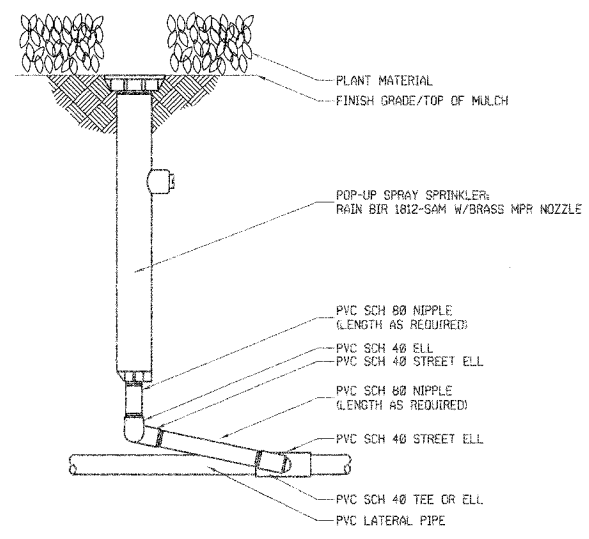
RUBBER COVERED QUICK COUPLING VALVE IN A VALVE BOX ON A SWING JOINT STABILIZED WITH A REDWOOD STAKE AND CLAMPS.



NOTES:
 1. INSTALLATION TO BE COMPLETED IN ACCORDANCE WITH MANUFACTURER'S SPECIFICATIONS.
 2. DO NOT SCALE DRAWINGS.

1804 POP-UP SPRAY SPRINKLER

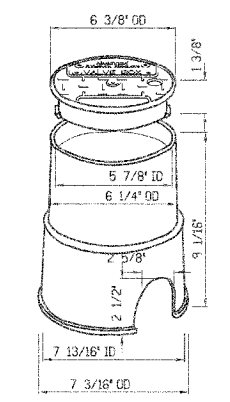
4" PLASTIC POP-UP SPRAY HEAD ON SWING PIPE



NOTES:
 1. INSTALLATION TO BE COMPLETED IN ACCORDANCE WITH MANUFACTURER'S SPECIFICATIONS.
 2. DO NOT SCALE DRAWINGS.

1812 POP-UP SPRAY SPRINKLER

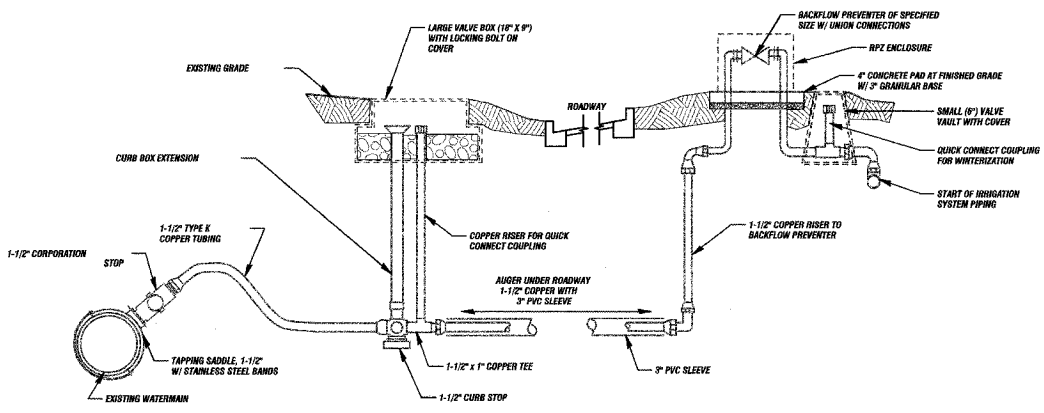
12" PLASTIC POP-UP SPRAY HEAD ON SWING JOINT, SHOWING BOTTOM INLET



NOTES:
 1. INSTALLATION TO BE COMPLETED IN ACCORDANCE WITH MANUFACTURER'S SPECIFICATIONS.
 2. DO NOT SCALE DRAWINGS.

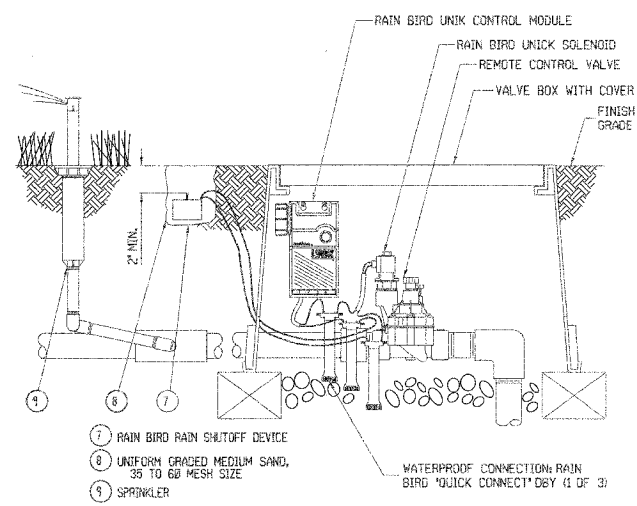
SMALL VALVE COVER BOXES

6" ECONOMY BOX



WATER SERVICE CONNECTION & BACKFLOW PREVENTER DETAIL FOR MEDIAN IRRIGATION SYSTEM

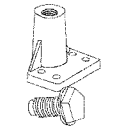
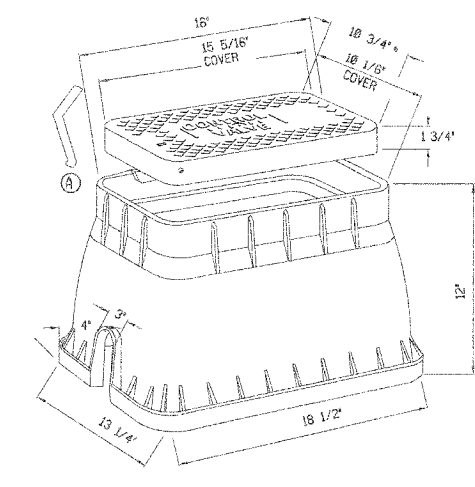
NOT TO SCALE



NOTES:
 1. INSTALLATION TO BE COMPLETED IN ACCORDANCE WITH MANUFACTURER'S SPECIFICATIONS.
 2. DO NOT SCALE DRAWINGS.

UNIK SYSTEM

UNIK CONTROL MODULE IN VALVE BOX IN RELATION TO VALVE SPRINKLERS, SHOWING RAIN SENSOR OPTION



NOTES:
 1. INSTALLATION TO BE COMPLETED IN ACCORDANCE WITH MANUFACTURER'S SPECIFICATIONS.
 2. DO NOT SCALE DRAWINGS.

LARGE VALVE COVER BOXES

DRAWING NOT TO SCALE

NO.	DATE	NATURE OF REVISION	CHKD.
FILE NAME	SFILES		