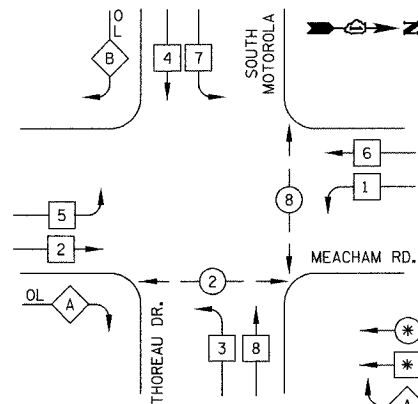


F.A.U. RTE.	SECTION	COUNTY	TOTAL SHEETS	SHEET NO.
2585	00-00068-01-WR	COOK	145	84
STA. XXX+XX		TO STA. XXX+XX		
FED. ROAD DIST. NO.	ILLINOIS	FED. AID PROJECT		
CONTRACT NUMBER 83785				

PROPOSED CONTROLLER SEQUENCE



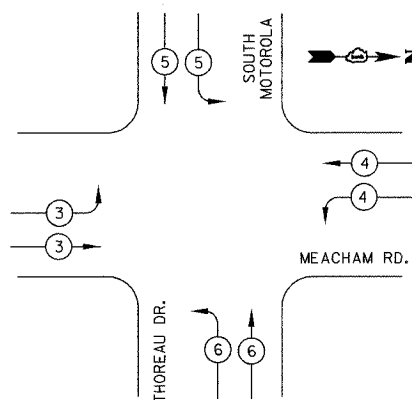
- LEGEND**
- DUAL ENTRY PHASE
 - SINGLE ENTRY PHASE
 - OVERLAP
 - PEDESTRIAN PHASE
 - NUMBER REFERS TO ASSOCIATED PHASE

PROPOSED PHASE DESIGNATION DIAGRAM

RIGHT TURN OVERLAP PHASE DESIGNATION

OVERLAP LETTER	PERMISSIVE PHASE	PROTECTED PHASE
A	= 2	+ 8
B	= 4	+ 5

PROPOSED EMERGENCY VEHICLE PREEMPTION SEQUENCE



PROPOSED EMERGENCY VEHICLE PREEMPTORS

EMERGENCY VEHICLE PREEMPTOR	3	4	5	6
MOVEMENT				

SCHEDULE OF QUANTITIES

PAY ITEM	UNIT	QUANTITY
SIGN PANEL, TYPE 1	SQ FT	75
SIGN PANEL, TYPE 2	SQ FT	30
CONDUIT IN TRENCH, 2" DIA., GALVANIZED STEEL	FOOT	553
CONDUIT IN TRENCH, 2 1/2" DIA., GALVANIZED STEEL	FOOT	37
CONDUIT IN TRENCH, 3" DIA., GALVANIZED STEEL	FOOT	15
CONDUIT IN TRENCH, 5" DIA., GALVANIZED STEEL	FOOT	10
CONDUIT PUSHED, 2" DIA., GALVANIZED STEEL	FOOT	257
CONDUIT PUSHED, 4" DIA., GALVANIZED STEEL	FOOT	596
HANDHOLE	EACH	5
HEAVY-DUTY HANDHOLE	EACH	3
DOUBLE HANDHOLE	EACH	2
TRENCH AND BACKFILL FOR ELECTRICAL WORK	FOOT	610
FULL-ACTUATED CONTROLLER AND TYPE IV CABINET, SPECIAL	EACH	1
TRANSCIVER - FIBER OPTIC	EACH	1
ELECTRIC CABLE IN CONDUIT, SIGNAL, NO. 14 2C	FOOT	568
ELECTRIC CABLE IN CONDUIT, SIGNAL, NO. 14 3C	FOOT	1650
ELECTRIC CABLE IN CONDUIT, SIGNAL, NO. 14 5C	FOOT	4574
ELECTRIC CABLE IN CONDUIT, SIGNAL, NO. 14 7C	FOOT	590
ELECTRIC CABLE IN CONDUIT, LEAD-IN, NO. 14 1 PAIR	FOOT	3943
ELECTRIC CABLE IN CONDUIT, SERVICE NO. 6 2C	FOOT	191
TRAFFIC SIGNAL POST, GALVANIZED STEEL 16 FT.	EACH	1
STEEL MAST ARM ASSEMBLY AND POLE, 55 FT.	EACH	1
STEEL MAST ARM ASSEMBLY AND POLE WITH DUAL MAST ARMS, 16 FT. AND 52 FT.	EACH	1
STEEL MAST ARM ASSEMBLY AND POLE WITH DUAL MAST ARMS, 20 FT. AND 55 FT.	EACH	1
STEEL MAST ARM ASSEMBLY AND POLE WITH DUAL MAST ARMS, 38 FT. AND 55 FT.	EACH	1
CONCRETE FOUNDATION, TYPE A	FOOT	4
CONCRETE FOUNDATION, TYPE D	FOOT	4
CONCRETE FOUNDATION, TYPE E 36-INCH DIAMETER	FOOT	60
TRAFFIC SIGNAL BACKPLATE, LOUVERED, ALUMINUM	EACH	18
INDUCTIVE LOOP DETECTOR	EACH	17
LIGHT DETECTOR	EACH	4
LIGHT DETECTOR AMPLIFIER	EACH	1
TEMPORARY TRAFFIC SIGNAL INSTALLATION	EACH	1
REMOVE EXISTING TRAFFIC SIGNAL EQUIPMENT	EACH	1
REMOVE EXISTING HANDHOLE	EACH	11
REMOVE EXISTING CONCRETE FOUNDATION	EACH	9
PREFORMED DETECTOR LOOP	FOOT	1697
SERVICE INSTALLATION, POLE MOUNT	EACH	1
ELECTRIC CABLE IN CONDUIT, GROUNDING NO. 6 1C	FOOT	777
ELECTRIC CABLE IN CONDUIT NO. 20 3C, TWISTED, SHIELDED	FOOT	880
SIGNAL HEAD, L.E.D., 1-FACE, 3-SECTION, MAST ARM MOUNTED	EACH	16
SIGNAL HEAD, L.E.D., 1-FACE, 5-SECTION, BRACKET MOUNTED	EACH	1
SIGNAL HEAD, L.E.D., 1-FACE, 5-SECTION, MAST ARM MOUNTED	EACH	2
SIGNAL HEAD, L.E.D., 2-FACE, 1-3 SECTION, 1-5 SECTION, BRACKET MOUNTED	EACH	1
PEDESTRIAN SIGNAL HEAD, L.E.D., 1-FACE, BRACKET MOUNTED	EACH	2
PEDESTRIAN SIGNAL HEAD, L.E.D., 2-FACE, BRACKET MOUNTED	EACH	1
PEDESTRIAN PUSH-BUTTON SPECIAL	EACH	3

NOTE:
THE TRAFFIC SIGNAL CONTROLLER EQUIPMENT FOR THIS PROJECT SHALL BE "ECONOLITE" TO MATCH THE EXISTING ADJACENT SYSTEM.

REVISIONS

NAME	DATE

ILLINOIS DEPARTMENT OF TRANSPORTATION
PHASE DESIGNATION DIAGRAM AND SCHEDULE OF QUANTITIES
MEACHAM ROAD & THOREAU DRIVE / SOUTH MOTOROLA DRIVEWAY

NOT TO SCALE
DATE 12/20/04
DESIGNED BY JJE
CHECKED BY KMM