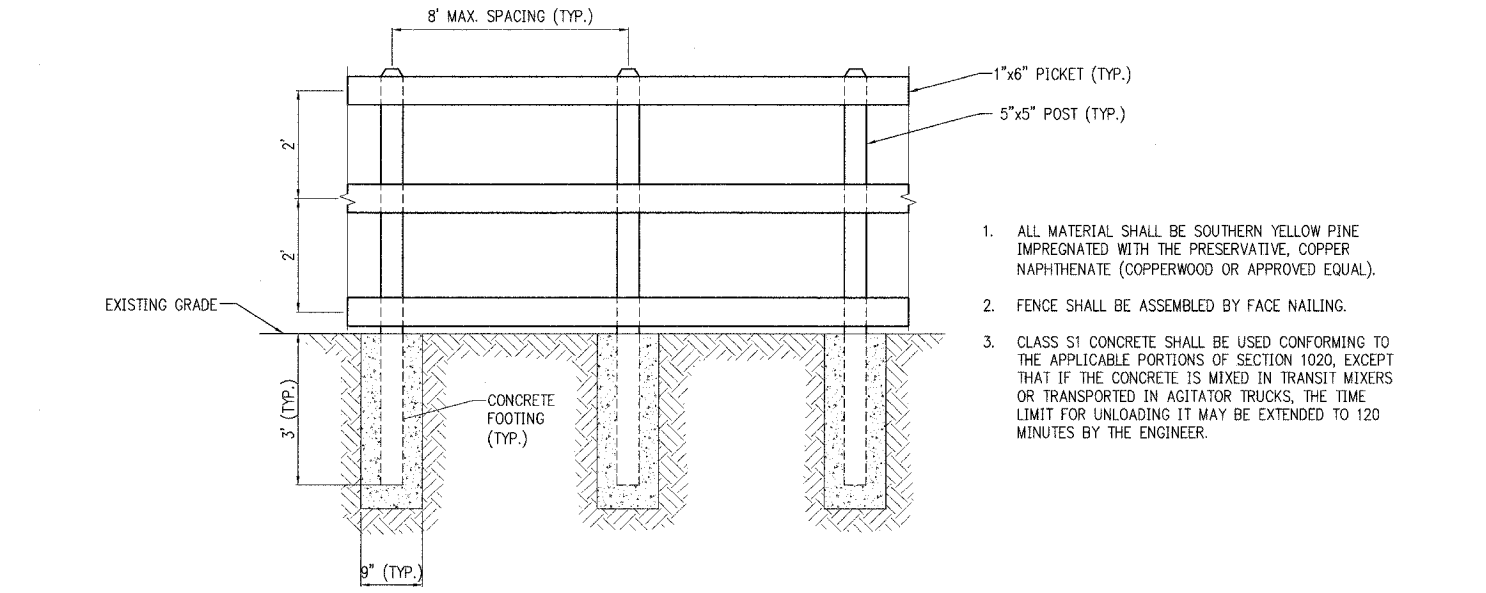
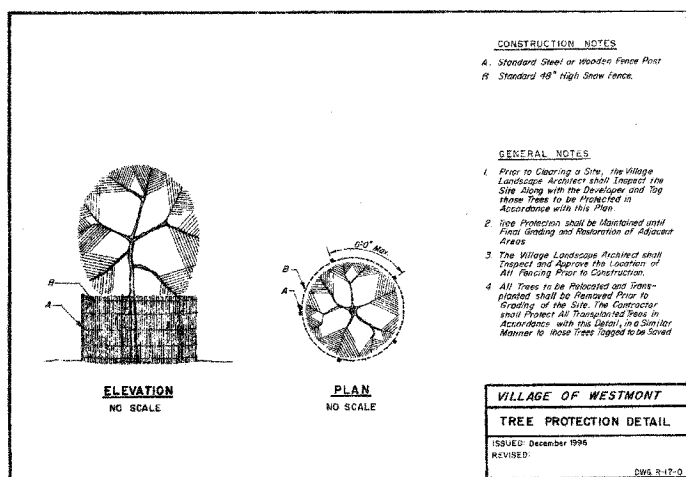
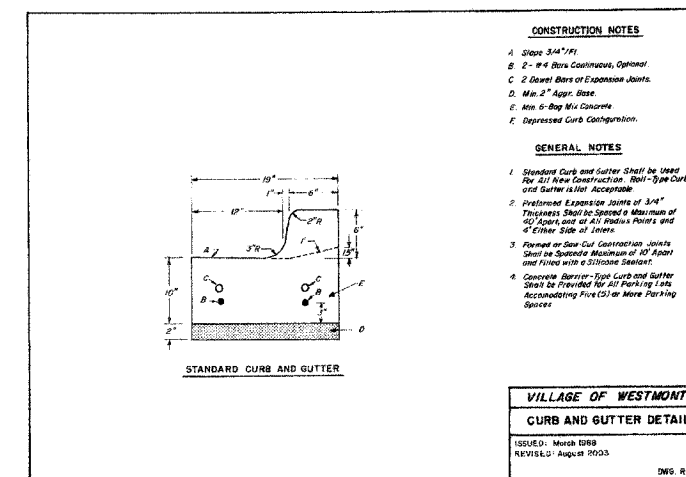
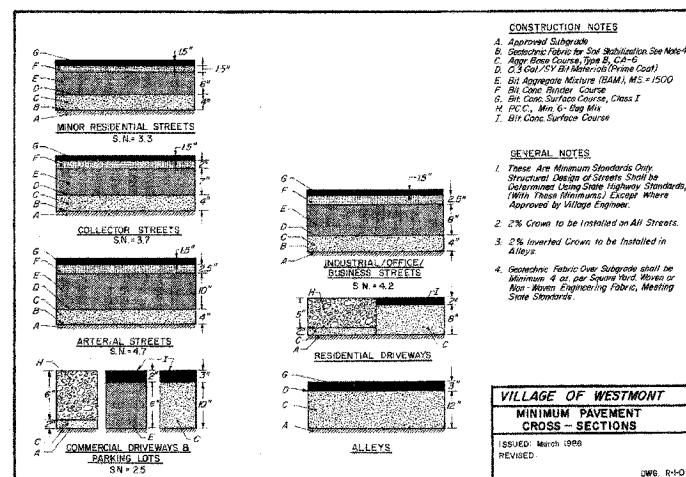
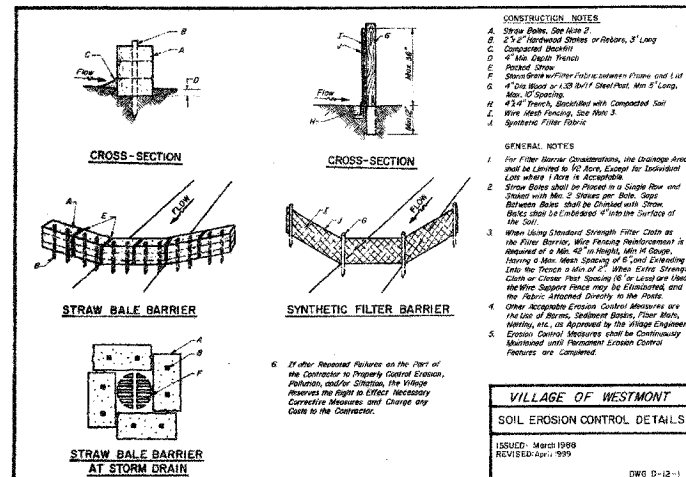
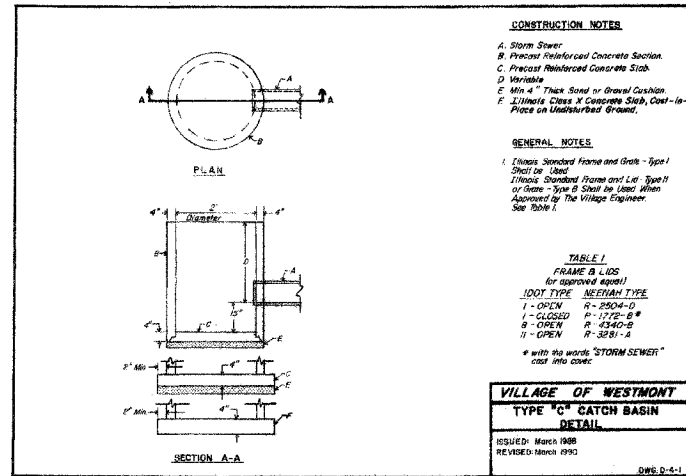
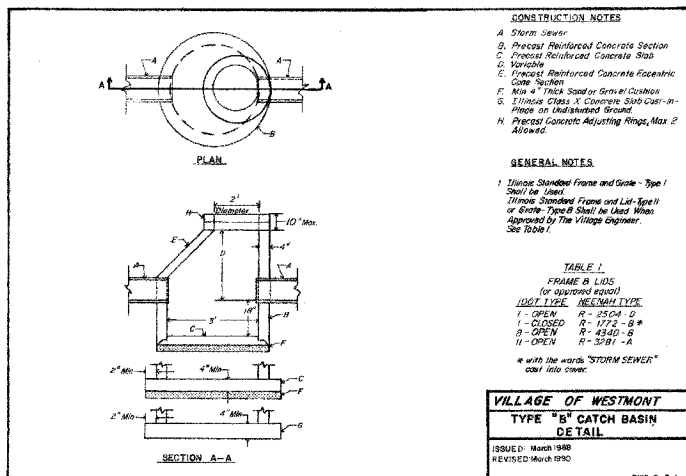
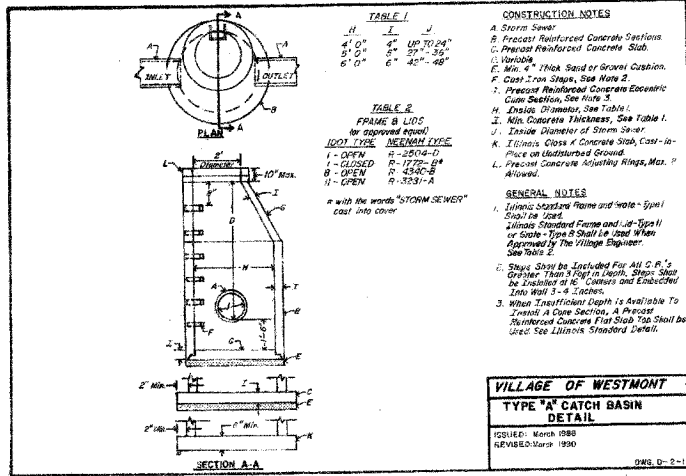


F.A.P. R.T.E.	SECTION	COUNTY	TOTAL SHEETS	SHEET NO.
0311	03-00090-00-SW	DU PAGE	-	14
FEDERAL RD. DIST. NO.		ILLINOIS	FEDERAL AID PROJECT	
CONTRACT: 83787				



Scale For Microfilming
Millimeters
Inches

COPYRIGHT © 2004 BURNS AND MCDONNELL ENGINEERING COMPANY, INC.



date 12/18/03 detailed J. HOLZINGER
designed A. BRYANT checked



VILLAGE OF WESTMONT
2003 CMAQ SIDEWALK MISCELLANEOUS DETAILS

project 35309 contract
drawing rev. 0
sheet 14 of 16 sheets
file E:\WESTMONT\35309 2003 CMAQ SIDEWALK\CAQ\BID\DETAILS-2