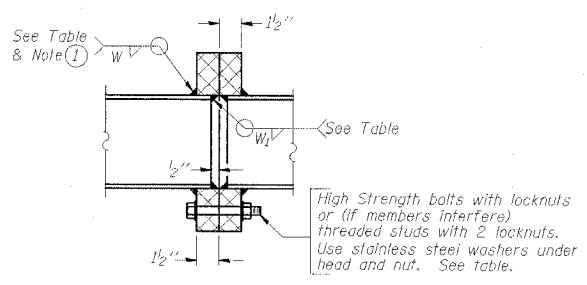


RTE.	SECTION	COUNTY	TOTAL SHEETS	SHEET NO.
FA180	150-2HBR	LA SALLE	460	130
STA.	TO STA.			
FED. ROAD DIST. NO.	ILLINOIS FED. AID PROJECT			

TRUSS UNIT TABLE

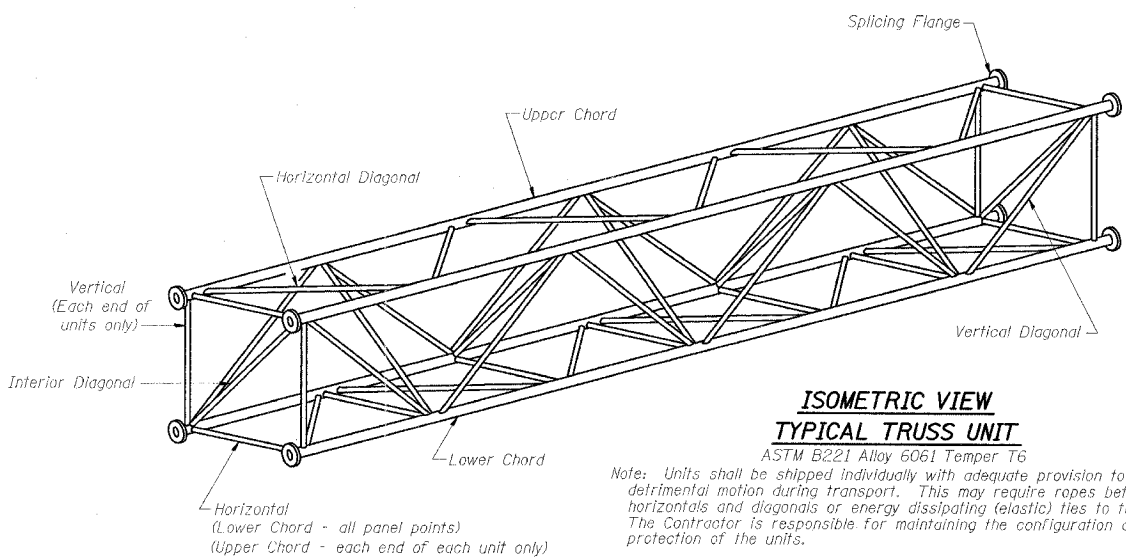
Structure Number	Station	Design Truss Type	Exterior Units (2)			Interior Unit			Upper & Lower Chord		Verticals, Horizontals, Vertical, Horizontal, and Interior Diagonals		Camber at Midspan	Splicing Flange						
			No. Panels per Unit	Unit Lgth.(L _e)	Panel Lgth.(P)	No. Req'd.	No. Panels per Unit	Unit Lgth.(L _i)	Panel Lgth.(P)	O.D.	Wall	O.D.		Wall	Bolts		Weld Sizes		A	B
															No./Splice	Dia.	W	W ₁		
3S0501080R076.4	643+14	II-A	6	33'-1 1/2"	5'-2 1/2"	1	6	32'-6"	5'-2 1/2"	6"	5/16"	3"	5/16"	2 7/8"	6	7/8"	3/8"	1/4"	10 1/4"	13 3/4"
3S0501080L077.0	674+70	I-A	8	38'-10 1/2"	4'-7 1/2"	0	-	-	-	5"	5/16"	2 1/2"	5/16"	2"	6	7/8"	5/16"	1/4"	8 3/4"	11 3/4"

CONTRACT NO. 86603 (3 OF 15)

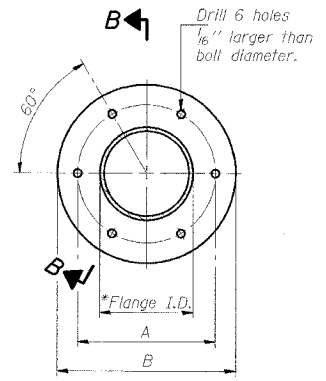


SECTION B-B

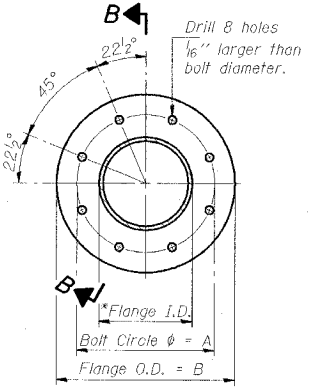
① Splicing Flanges shall be attached to each truss unit with the truss shop assembled to camber shown. Truss units shall be in proper alignment and flange surfaces shall be shop bolted into full contact before welding. Sufficient external welds or tacks shall be made to secure flanges until remaining welds are made after disassembly. Adjacent flanges shall be "match marked" to insure proper field assembly.



ISOMETRIC VIEW TYPICAL TRUSS UNIT



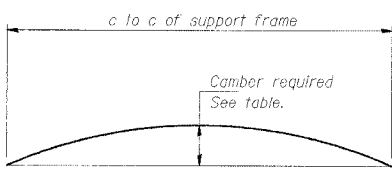
TRUSS TYPES I-A, II-A, & III-A



TRUSS TYPES II-A & III-A

SPlicing FLANGES

ASTM B221, Alloy 6061-T6 or ASTM B209, Alloy 6061-T651
*To fit O.D. of Chord with maximum gap of 1/16".

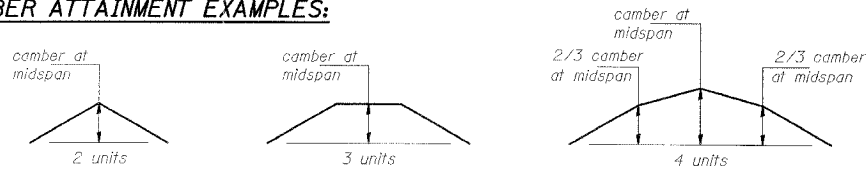


CAMBER DIAGRAM

Camber curve shown is theoretical. Actual camber attained by slope changes at splices between units.

NUMBER	REVISION	DATE

CAMBER ATTAINMENT EXAMPLES:



Camber shown is for fabrication only, measured with truss fully supported. (No-load condition)

REVISIONS NAME

ILLINOIS DEPARTMENT OF TRANSPORTATION
OVERHEAD SIGN STRUCTURES
ALUMINUM TRUSS DETAILS
FOR TRUSS TYPES I-A, II-A AND III-A
3S0501080R076.4, STATION 643+14
3S0501080L077.0, STATION 674+70

SCALE: NONE
DATE: 09/04

DRAWN BY: DWH
CHECKED BY: MTD/FMA