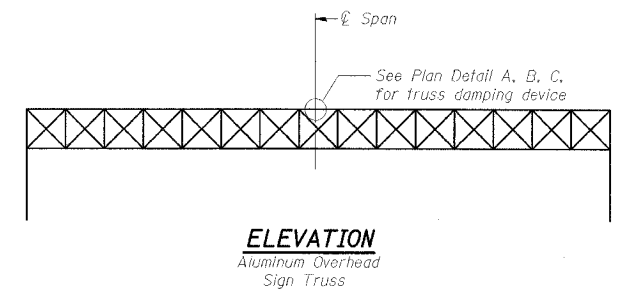
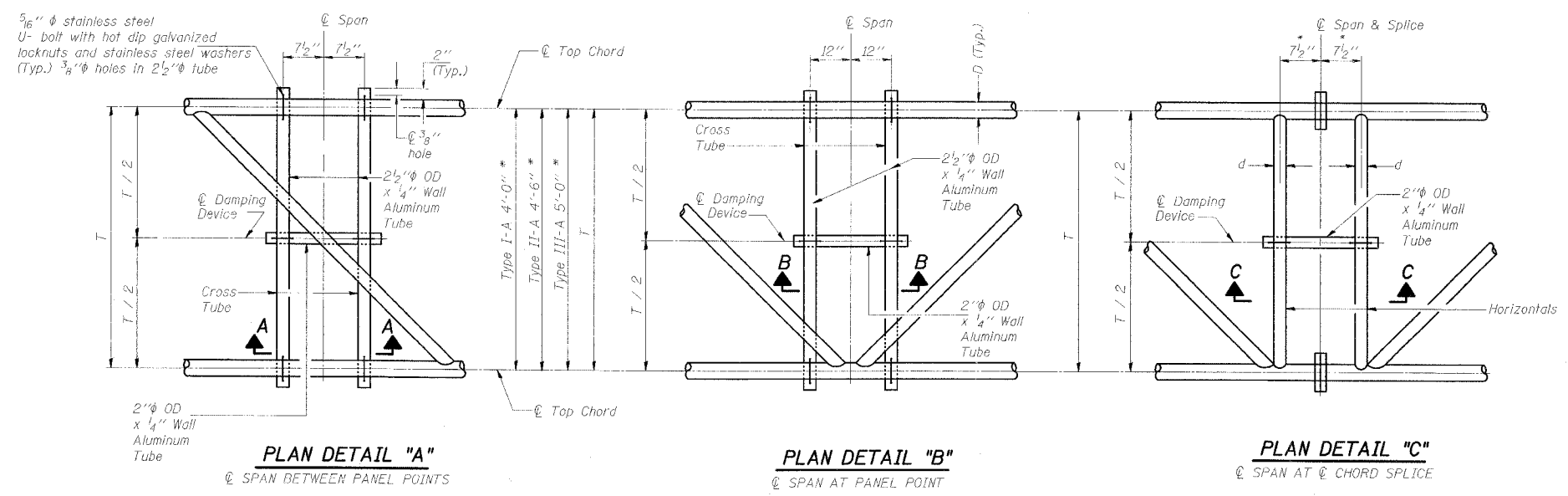


RTE.	SECTION	COUNTY	TOTAL SHEETS	SHEET NO.
FA180	(50-2)HBR	LA SALLE	460	131
STA.	TO STA.			
FED. ROAD DIST. NO.	ILLINOIS FED. AID PROJECT			

CONTRACT NO. 86603 (4 OF 15)

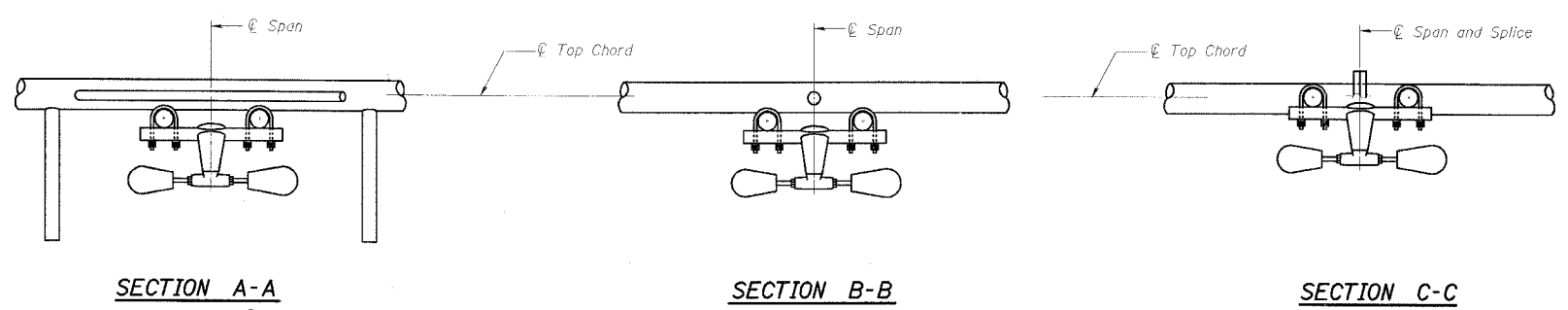
* Center of horizontal to center of splice dimension may vary. Verify before drilling holes in mounting tube.



ELEVATION
Aluminum Overhead Sign Truss

NOTES

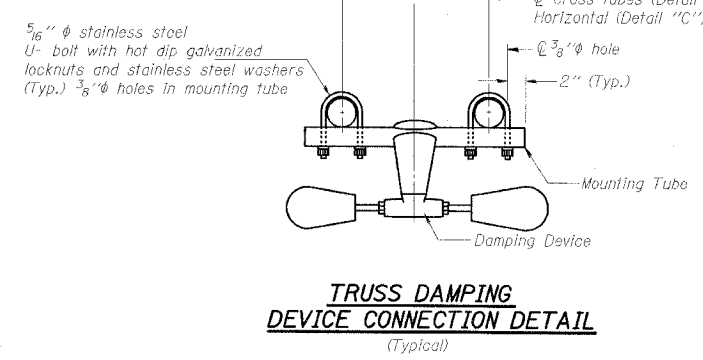
Damper: One damper per truss.
(31 lbs. Stockbridge-Type Aluminum)
Cost included in "Overhead Sign Structure..."
Materials: Aluminum tubes shall be ASTM B221 alloy 6061 temper T6. Cost included in "Overhead Sign Structure..."



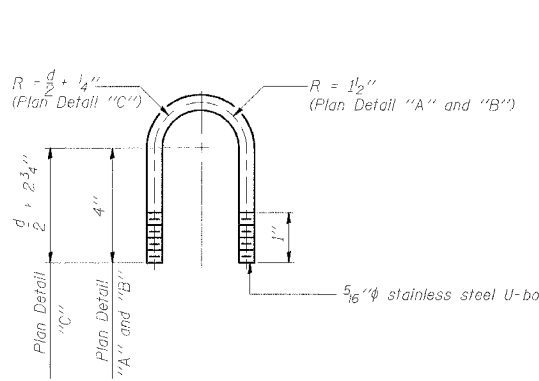
SECTION A-A

SECTION B-B

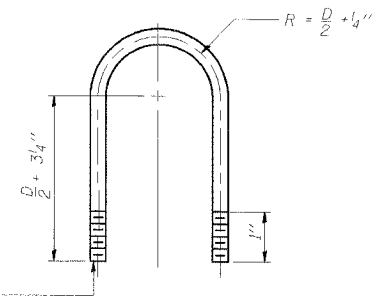
SECTION C-C



TRUSS DAMPING DEVICE CONNECTION DETAIL
(Typical)



DAMPING DEVICE MOUNTING TUBE U-BOLT DETAIL
(Typical)



TOP CHORD TO CROSS TUBE U-BOLT DETAIL
(Typical - Detail "A" and "B")

REVISIONS	NAME

ILLINOIS DEPARTMENT OF TRANSPORTATION
OVERHEAD SIGN STRUCTURE DAMPING DEVICE
3S0501080R076.4, STATION 643+14
3S0501080L077.0, STATION 674+70
SCALE: NONE DRAWN BY: DWH
DATE: 09/04 CHECKED BY: MTD/FMA