

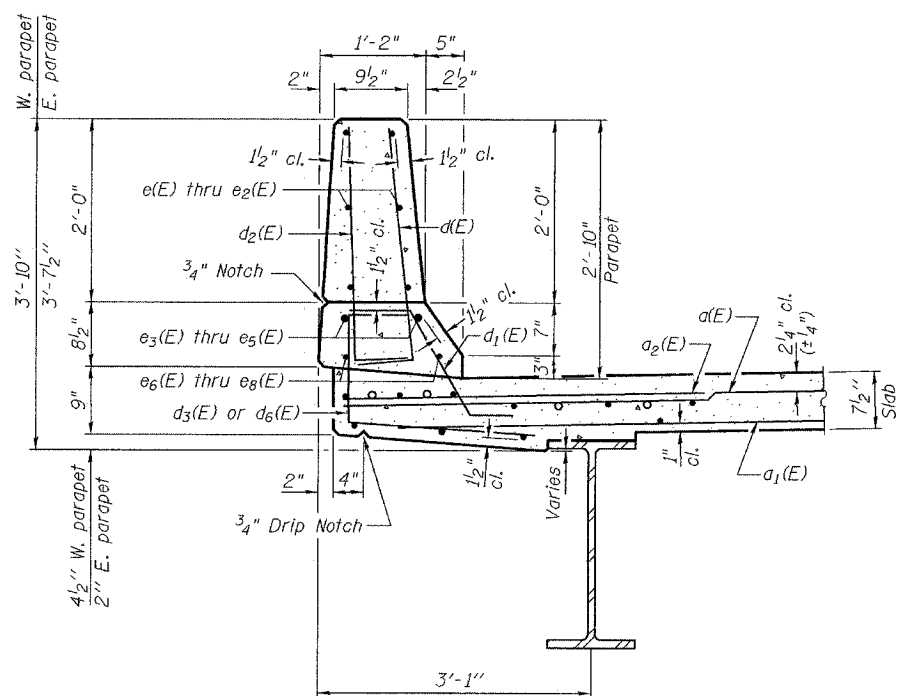
STATE OF ILLINOIS
DEPARTMENT OF TRANSPORTATION

ROUTE NO.	SECTION	COUNTY	DISTRICT	SHEET NO.
F.A.I. 80	(50-2) HBR	LaSALLE		152
FED. ROAD DIST. NO. 7	ILLINOIS	FED. AID PROJECT-		

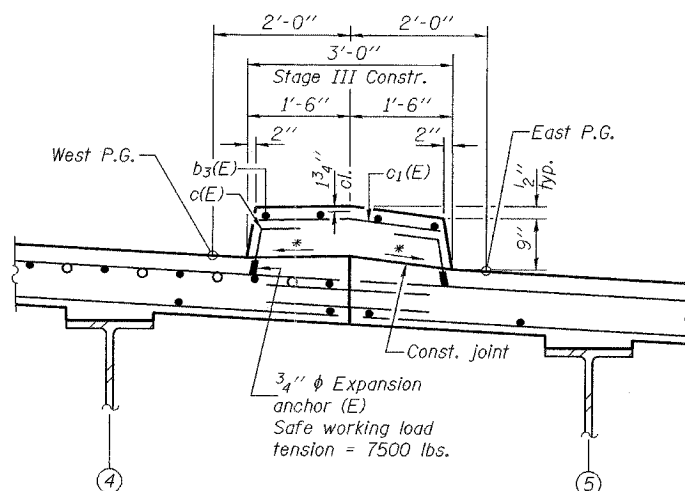
SHEET NO. 10

35 SHEETS

Contract No. 86603

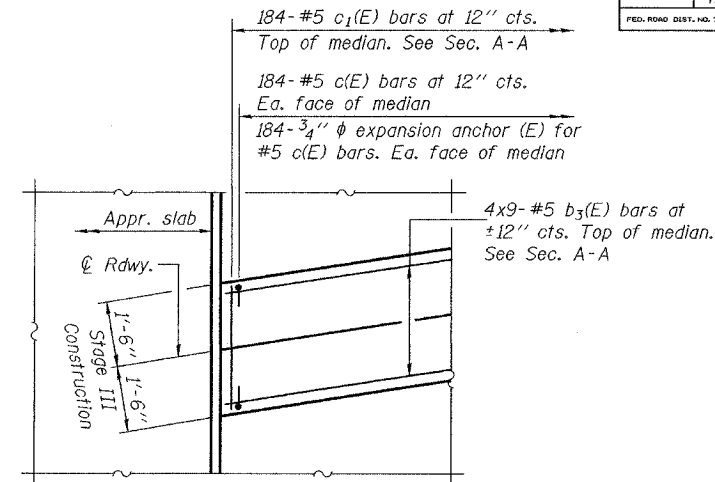


SECTION THRU PARAPET



SECTION A-A

* Slope = 1/4"/ft.



DETAIL A

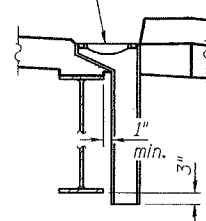
MIN. BAR LAP
#5 bars = 1'-8"

SUPERSTRUCTURE
BILL OF MATERIAL

Bar	No.	Size	Length	Shape
a(E)	686	#5	27'-1"	—
a1(E)	496	#5	26'-3"	—
a2(E)	345	#6	4'-6"	—
a3(E)	32	#5	1'-6"	—
a4(E)	4	#5	27'-3"	—
a5(E)	4	#5	26'-6"	—
b(E)	480	#5	24'-8"	—
b1(E)	168	#6	20'-5"	—
b2(E)	392	#5	27'-11"	—
b3(E)	36	#5	21'-10"	—
c(E)	368	#5	1'-10"	┘
c1(E)	184	#5	2'-5"	—
d(E)	400	#5	3'-0"	┘
d1(E)	400	#5	2'-5"	┘
d2(E)	400	#4	3'-0"	┘
d3(E)	200	#4	3'-9"	┘
d6(E)	200	#4	3'-9"	┘
e(E)	60	#4	16'-4"	—
e1(E)	24	#4	13'-9"	—
e2(E)	48	#4	17'-5"	—
e3(E)	12	#8	29'-11"	—
e4(E)	8	#8	13'-9"	—
e5(E)	12	#8	25'-10"	—
e6(E)	12	#5	24'-8"	—
e7(E)	8	#5	13'-9"	—
e8(E)	12	#5	28'-9"	—
Reinforcement Bars, Epoxy Coated		Pound	74830	
Concrete Superstructure		Cu. Yds.	296.5	

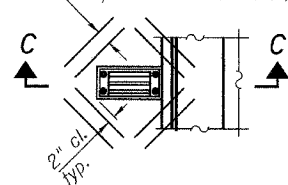
Reinforcement bars and expansion anchors designated (E) shall be epoxy coated.
Bars indicated thus 3 x 7-#5 etc. indicates 3 line of bars with 7 lengths per line.

Drainage Scupper, DS-11
See sht. 17 of 35 for details.



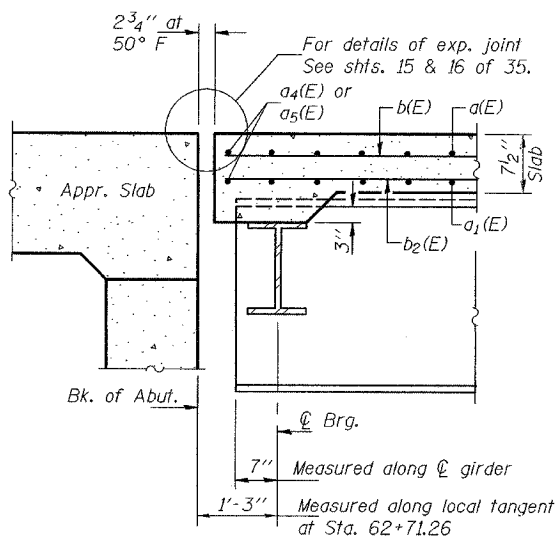
SECTION C-C

2-#5 a3(E) bars at 4" cts.
(1'-6" lg.) tied to bottom of top reinforcement mat, typ.

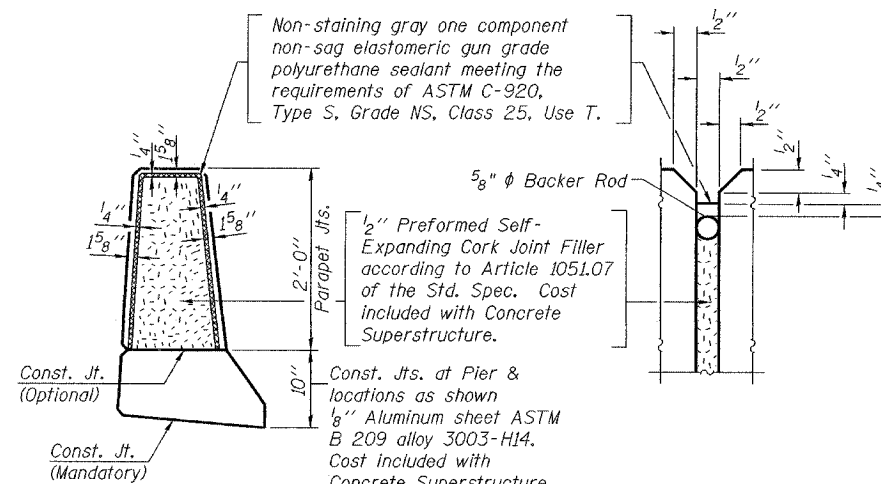


PLAN

Cut longitudinal reinforcement to miss drainage scuppers.
For location of Drainage Scupper, see sheet 1 of 35.

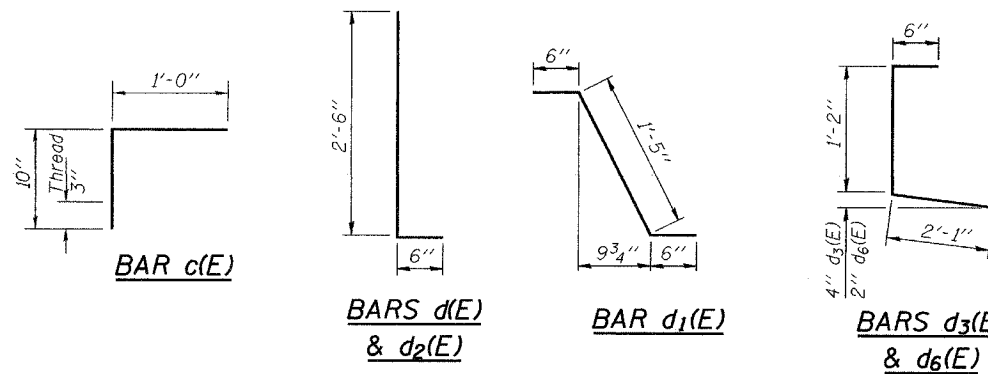


SECTION B-B



PARAPET JOINT DETAILS

Notes: Bottom of slab level between profile grade lines.
Minimum slab thickness is 7 1/2".
Cost of expansion anchors (E) included in the cost of Reinforcement Bars, Epoxy Coated.



DESIGNED	CME
CHECKED	RLM
DRAWN	h.t. parsons
CHECKED	CME/RLM

Nov. 29, 2004
EXAMINED *Thomas J. Domagala*
ENGINEER OF BRIDGE DESIGN
PASSED *Ralph E. Anderson*
ENGINEER OF BRIDGES AND STRUCTURES

SUPERSTRUCTURE DETAILS
F.A.I. RT. 80 - SEC. (50-2)HBR
LaSALLE COUNTY
STATION 62+39.22
STRUCTURE NO. 050-0230