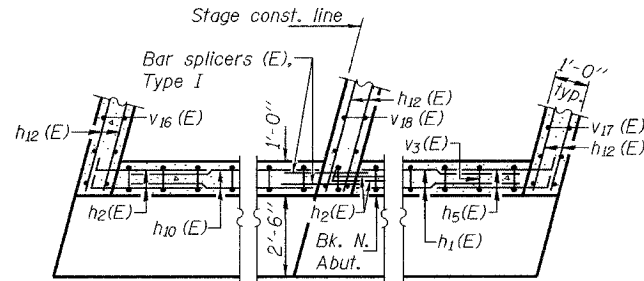


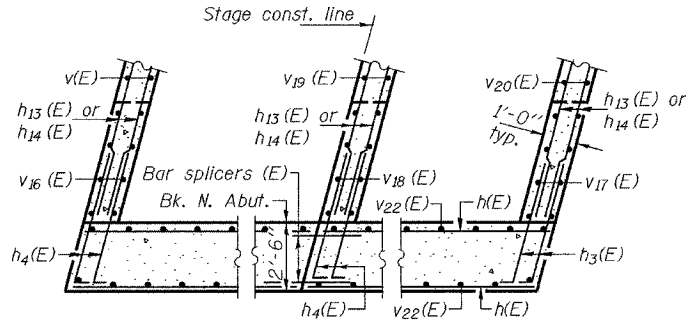
STATE OF ILLINOIS
DEPARTMENT OF TRANSPORTATION

ROUTE NO.	SECTION	COUNTY	SHEET	SHEET NO. 27
F.A.I. 80	(50-2) HBR	LaSALLE	169	35 SHEETS
FED. ROAD DIST. NO. 7	ILLINOIS	FED. AID PROJECT-		

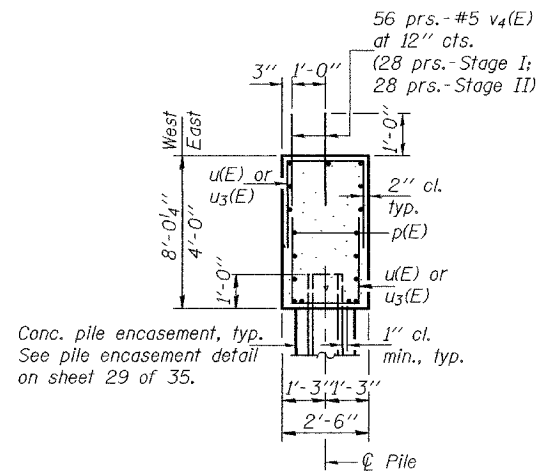
Contract No. 86603



SECTION E-E

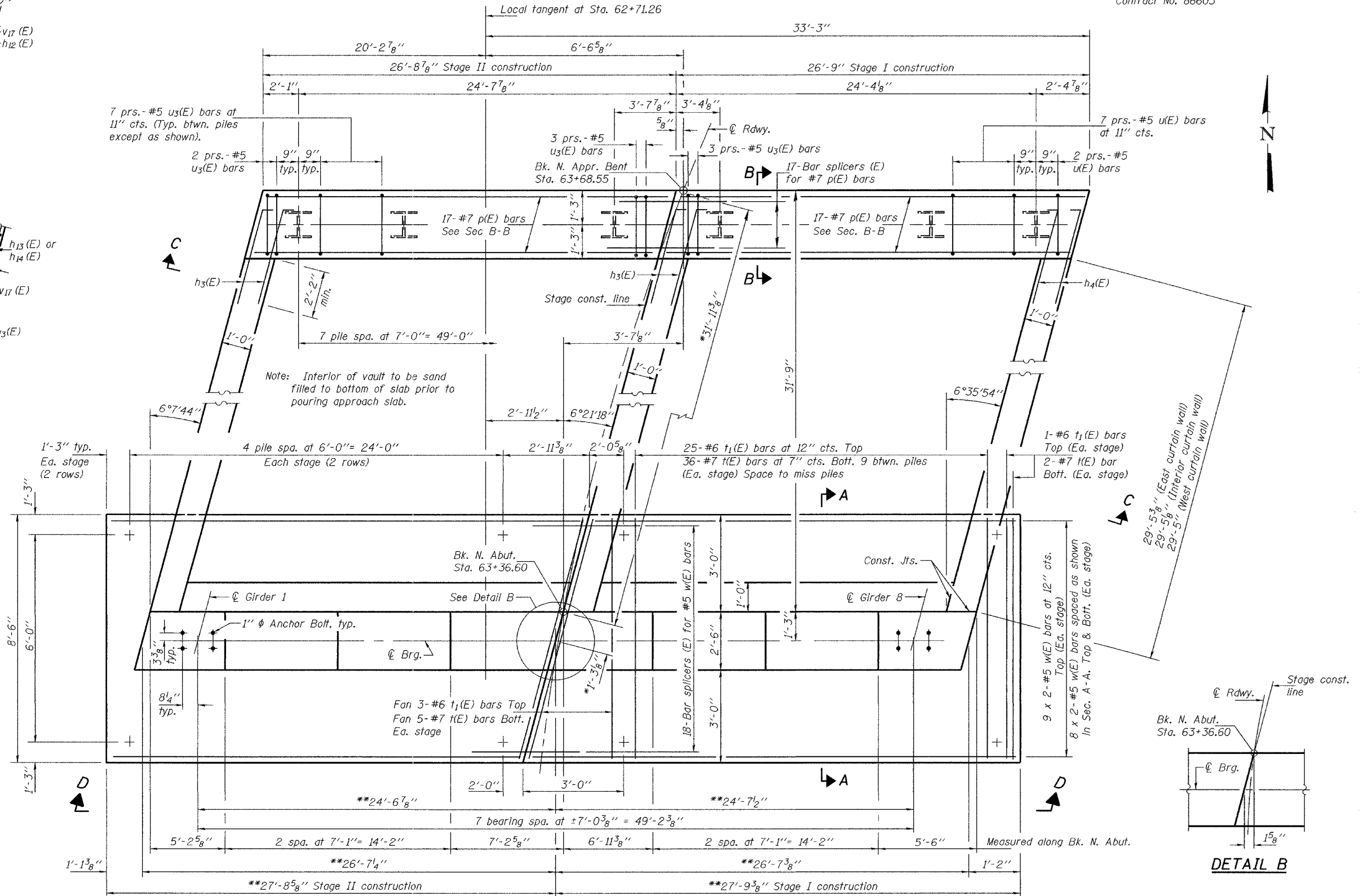


SECTION F-F

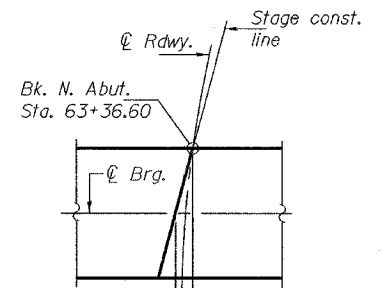


SECTION B-B

Notes: Space reinforcement in cap to miss anchor bolts.
Reinforcement bars designated (E) shall be epoxy coated.
Pour steps monolithically with stem.
For anchor bolt details, see sheet 23 of 35.
For bar splicers details, see sheet 32 of 35.
Bars indicated thus 20 x 3-#5 etc. indicates 20 lines of bars with 3 lengths per line.
For Sections A-A, C-C and View D-D, see sheet 28 of 35.



PLAN



DETAIL B

DESIGNED	RLM
CHECKED	CME
DRAWN	h.t. parsons
CHECKED	RLM/CME

Nov. 29, 2004
EXAMINED *Thomas J. Domagala*
PASSED *Ralph E. Anderson*
ENGINEER OF BRIDGE DESIGN
ENGINEER OF BRIDGES AND STRUCTURES

* Measured along stage construction line.
** Distances measured along ϕ Brg. to the stage const. line.

MIN. BAR LAPS
#5 bars = 2'-2"

NORTH ABUTMENT
F.A.I. RT. 80 - SEC. (50-2)HBR
LaSALLE COUNTY
STATION 62+39.22
STRUCTURE NO. 050-0230