

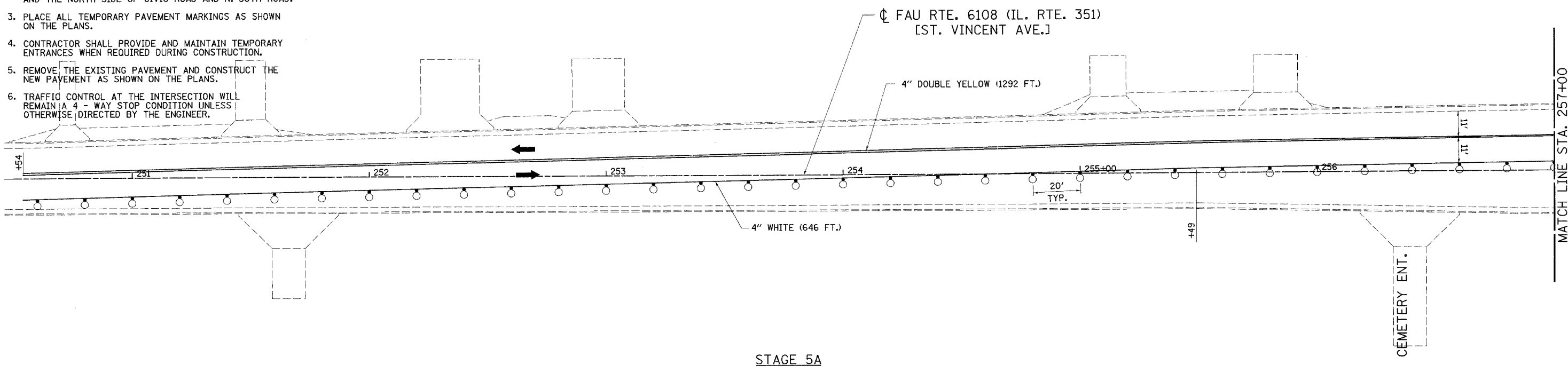
DESIGN		
INT.	DATE	REASON

STAGE 5A TRAFFIC CONTROL AND CONSTRUCTION SEQUENCE
STA. 252+00 TO STA. 271+00

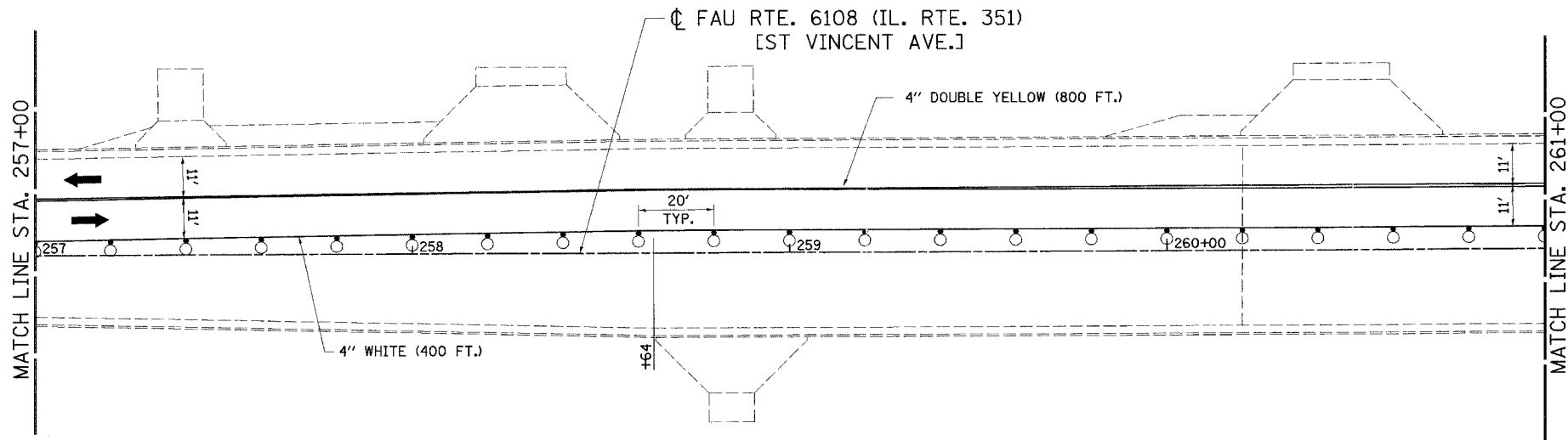
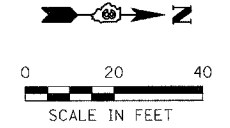
- CONTRACTOR SHALL PLACE ALL ADVANCED WARNING SIGNAGE PRIOR TO BEGINNING ANY CONSTRUCTION. (SEE ADVANCE SIGNING DETAILS)
- TRAFFIC WILL BE SHIFTED TO THE WEST SIDE OF IL RTE. 351 AND THE NORTH SIDE OF CIVIC ROAD AND N. 30th ROAD.
- PLACE ALL TEMPORARY PAVEMENT MARKINGS AS SHOWN ON THE PLANS.
- CONTRACTOR SHALL PROVIDE AND MAINTAIN TEMPORARY ENTRANCES WHEN REQUIRED DURING CONSTRUCTION.
- REMOVE THE EXISTING PAVEMENT AND CONSTRUCT THE NEW PAVEMENT AS SHOWN ON THE PLANS.
- TRAFFIC CONTROL AT THE INTERSECTION WILL REMAIN A 4-WAY STOP CONDITION UNLESS OTHERWISE DIRECTED BY THE ENGINEER.



F.A.U. RTE.	SECTION	COUNTY	TOTAL SHEETS	SHEET NO.
6108	(70XN & TS-1	LA SALLE	460	278
STA. 252+00		TO STA. 261+00		
FED. ROAD DIST. NO.		ILLINOIS	FED. AID PROJECT	
CONTRACT NO. 86603				



PLOTS & CHECKS		
INT.	DATE	REASON



LEGEND

- DIRECTION OF TRAFFIC →
- TYPE C BIDIRECTIONAL REFLECTOR ◆
- TYPE III BARRICADE W/ FLASHING LIGHTS [Symbol]
- TYPE III BARRICADE [Symbol]
- DRUM OR BARRICADE WITH STEADY BURNING LIGHT ○
- WORK ZONE [Symbol]
- DRUM OR BARRICADE ○
- TEMPORARY WIDENING [Symbol]

ILLINOIS DEPARTMENT OF TRANSPORTATION
STAGE 5A TRAFFIC CONTROL & CONSTRUCTION
STA. 252+00 TO STA. 261+00
FAU 6108 (IL RTE. 351)
SECTION (70XN & TS-1
LA SALLE COUNTY

REVISIONS	
NAME	DATE

SCALE: VERT. _____
HORIZ. _____
DATE 05/07/03
DRAWN BY: Heb
DESIGNED BY: COLBROOK
CHECKED BY: COLBROOK
GREENE & BRADFORD, INC.
OF SPRINGFIELD
REGISTERED PROFESSIONAL ENGINEERS
ILLINOIS LICENSE NO. 0123
PROFESSIONAL SEAL FOR ARCHITECTURE
REGISTERED PROFESSIONAL LAND SURVEYORS
ILLINOIS LICENSE NO. 0123 0123 0123 0123
COMPUTER FILE NO.
STAGES-A-1
PROJECT 01194.L_n
02/17/04 Heb

FILE NAME = \$FILES\$
PLOT SCALE = \$DATE\$
PLOT DATE = \$DATE\$
PLOT TIME = \$TIME\$
OPERATOR = \$USER\$

CHECKS		
INT.	DATE	REASON