

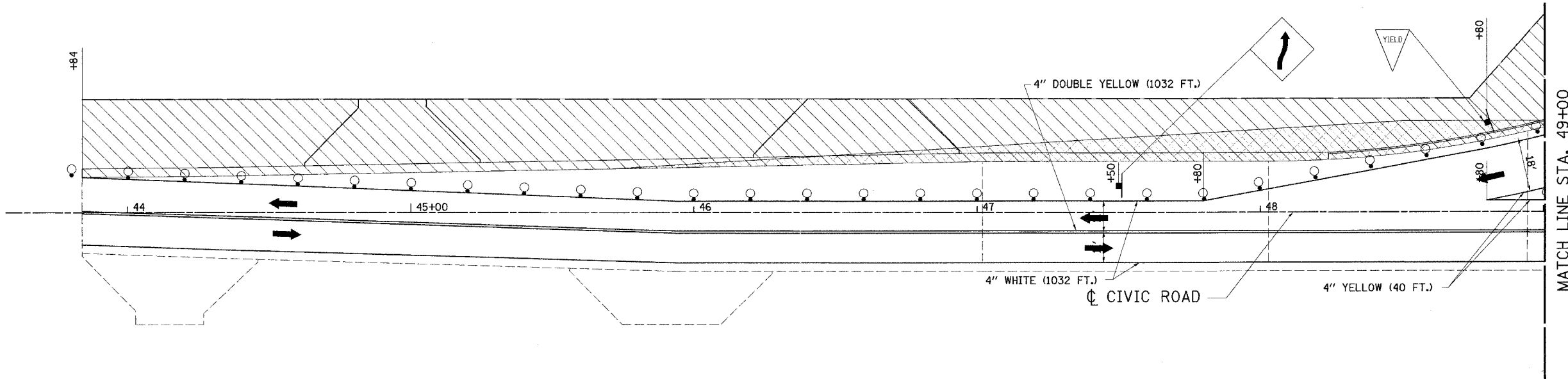
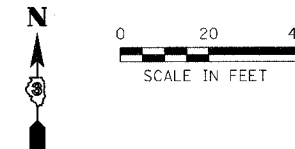
DESIGN		
INT.	DATE	REASON

PLOTS & CHECKS			
INT.	DATE	NO.	REASON

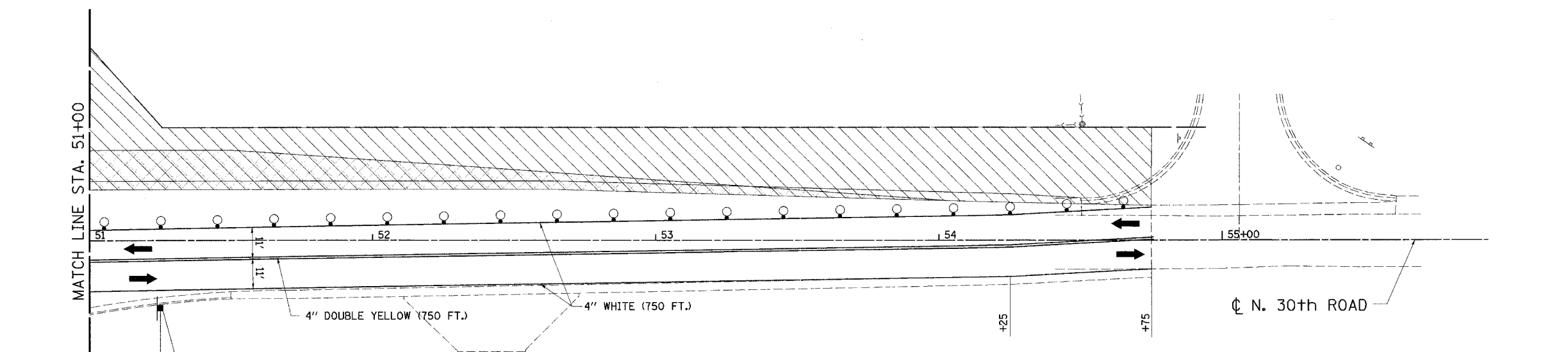
FILE NAME = #FILE#  
 PLOT SCALE = #PLOTSCALE#  
 PLOT DATE = #DATE#  
 PLOT OPERATOR = #OPERATOR#  
 DRV = #DRIVER#  
 STA = #STA#  
 USER = #USER#

CHECKS		
INT.	DATE	REASON

F.A.U. RTE.	SECTION	COUNTY	TOTAL SHEETS	SHEET NO.
6108	(70XN & TS-1	LA SALLE	460	292
STA. 41+00		TO STA. 58+00		
FED. ROAD DIST. NO.		ILLINOIS	FED. AID PROJECT	
CONTRACT NO. 86603				



STAGE 6B



STAGE 6B

LEGEND

- DIRECTION OF TRAFFIC →
- TYPE C BIDIRECTIONAL REFLECTOR ◆
- TYPE III BARRICADE W/ FLASHING LIGHTS ⚡
- TYPE III BARRICADE ⚡
- DRUM OR BARRICADE WITH STEADY BURNING LIGHT ○
- WORK ZONE [Hatched Area]
- DRUM OR BARRICADE ○
- TEMPORARY WIDENING [Cross-hatched Area]

ILLINOIS DEPARTMENT OF TRANSPORTATION  
 STAGE 6B TRAFFIC CONTROL &  
 CONSTRUCTION  
 STA. 41+00 TO STA. 49+00  
 FAU 6108 (IL RTE. 351)  
 SECTION (70XN & TS-1)  
 LA SALLE COUNTY

SCALE: VERT.      DRAWN BY: MABUS  
 HORIZ.            DESIGNED BY: KUNTZMAN  
 DATE 05/07/03    CHECKED BY: COLBROOK

**GREEN & BRADFORD, INC.**  
CONSULTING ENGINEERS  
310 WEST WASHINGTON STREET, SUITE 200, CHICAGO, IL 60601  
TEL: 312.527.1800 FAX: 312.527.1801

COMPUTER FILE NO.  
 STAGE6-B-3  
 PROJECT 01194.B.n  
 02/10/04-PAM

REVISIONS	
NAME	DATE