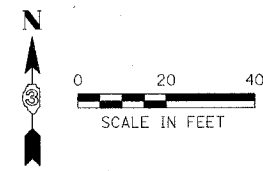


DESIGN		
INT.	DATE	REASON

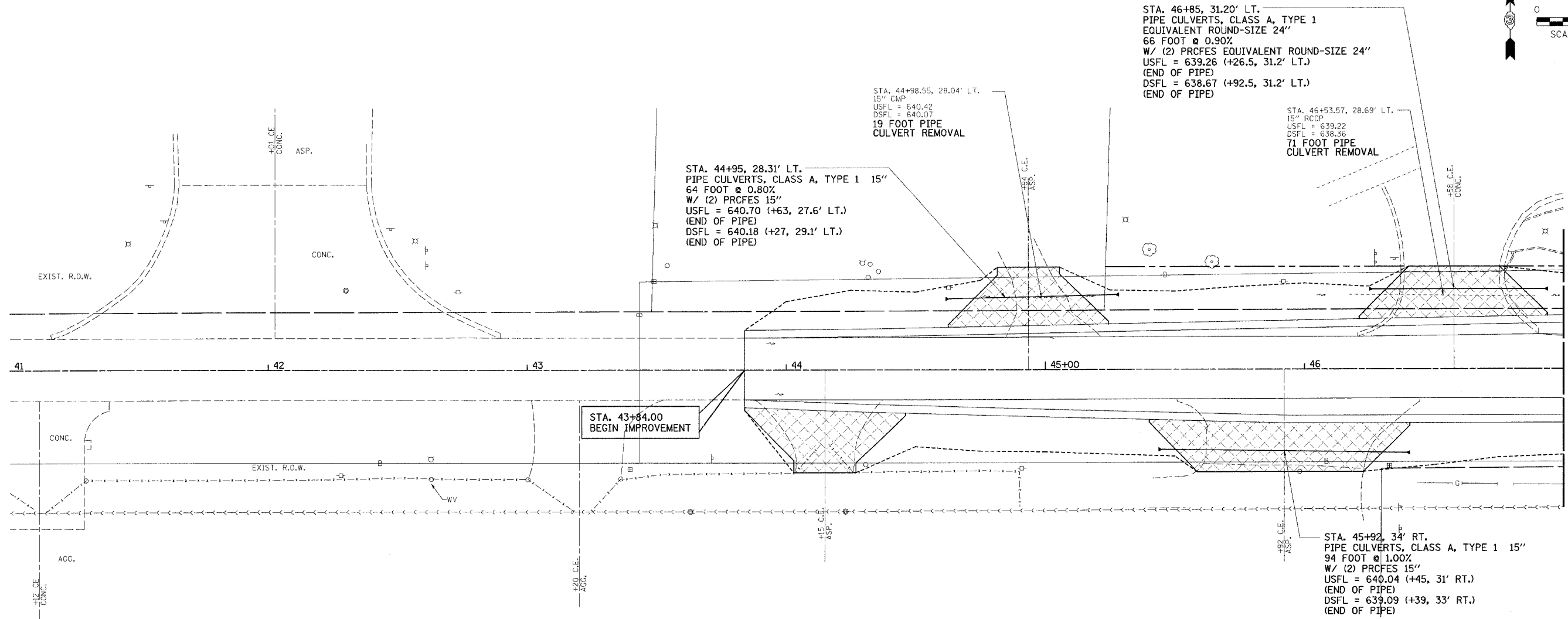
F.A.U. RTE.	SECTION	COUNTY	TOTAL SHEETS	SHEET NO.
6108	(70XIN & TS-1	LASALLE	460	368
STA. 41+00		TO STA. 47+00		
FED. ROAD DIST. NO.		ILLINOIS	FED. AID PROJECT	
CONTRACT NO. 86603				



PLOTS & CHECKS		
INT.	DATE	REASON

FILE NAME = \$FILE\$
 PLOT SCALE = \$SCALE\$
 PLOT DATE = \$DATE\$
 PLOT TIME = \$TIME\$
 OPERATOR = \$USER\$

CHECKS		
INT.	DATE	REASON



STA. 46+85, 31.20' LT.
 PIPE CULVERTS, CLASS A, TYPE 1
 EQUIVALENT ROUND-SIZE 24"
 66 FOOT @ 0.90%
 W/ (2) PRCFES EQUIVALENT ROUND-SIZE 24"
 USFL = 639.26 (+26.5, 31.2' LT.)
 (END OF PIPE)
 DSFL = 638.67 (+92.5, 31.2' LT.)
 (END OF PIPE)

STA. 44+98.55, 28.04' LT.
 15" CMP
 USFL = 640.42
 DSFL = 640.07
 19 FOOT PIPE
 CULVERT REMOVAL

STA. 44+95, 28.31' LT.
 PIPE CULVERTS, CLASS A, TYPE 1 15"
 64 FOOT @ 0.80%
 W/ (2) PRCFES 15"
 USFL = 640.70 (+63, 27.6' LT.)
 (END OF PIPE)
 DSFL = 640.18 (+27, 29.1' LT.)
 (END OF PIPE)

STA. 46+53.57, 28.69' LT.
 15" RCCP
 USFL = 639.22
 DSFL = 638.36
 71 FOOT PIPE
 CULVERT REMOVAL

STA. 45+92, 34' RT.
 PIPE CULVERTS, CLASS A, TYPE 1 15"
 94 FOOT @ 1.00%
 W/ (2) PRCFES 15"
 USFL = 640.04 (+45, 31' RT.)
 (END OF PIPE)
 DSFL = 639.09 (+39, 33' RT.)
 (END OF PIPE)

MATCHLINE STA. 47+00

ILLINOIS DEPARTMENT OF TRANSPORTATION
DRAINAGE AND UTILITIES PLAN

FAU 6108 (IL. RTE. 351)
 SECTION (70XIN & TS-1)
 LASALLE COUNTY

SCALE: VERT. _____
 HORIZ. _____
 DATE: 06/30/03

DESIGNED BY: MABUS
 CHECKED BY: COLBROOK

DRAWN BY: MABUS
 DESIGNED BY: BOTI
 CHECKED BY: COLBROOK

COMPUTER FILE NO.
 SS351K-01

PROJECT: 01194.B.N
 04/27/04-RPB

GREENE & BRADFORD, INC.
 OF SPRINGFIELD

REVISIONS	
NAME	DATE
MABUS	09/15/03