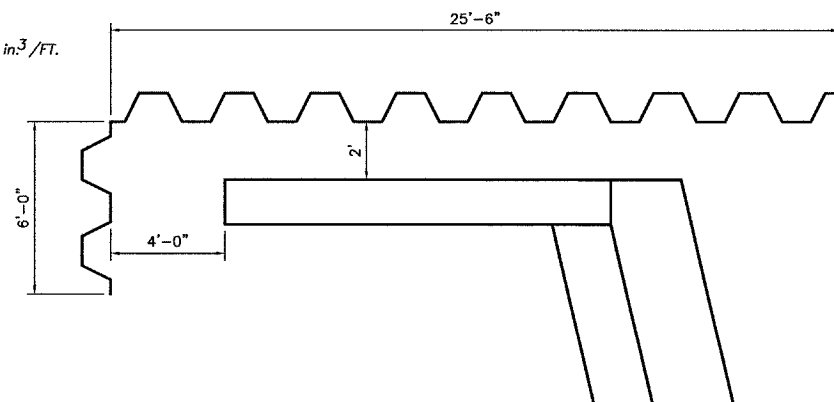


CENTERLINE CURVE DATA
 $\Delta = 30^{\circ}06'23''$
 $R = 467.72'$
 $T = 125.79'$
 $L = 245.77'$
 P.C. STA. 22+66.10
 P.I. STA. 23+91.89
 P.T. STA. 25+11.87

FOOTING LAYOUT

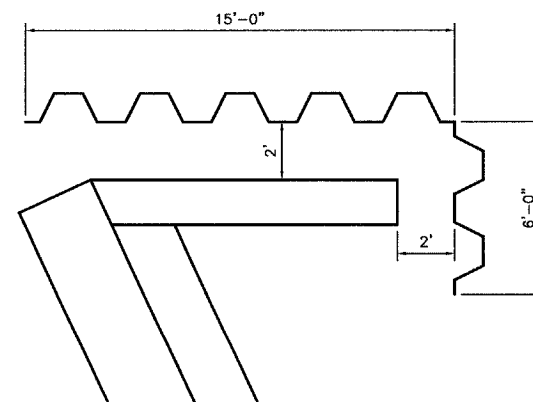


TOP OF PILE = 555.00
 TIP OF PILE = 545.00
 EMBEDMENT = 6.18'
 REQ'D SECTION MODULUS = 1.4 in³/FT.



PLAN AT S. ABUTMENT

TOP OF PILE = 542.10
 TIP OF PILE = 532.10
 EMBEDMENT = 7.76'
 REQ'D SECTION MODULUS = 1.4 in³/FT.



PLAN AT N. ABUTMENT

TEMPORARY SHEET PILING SQ FT 525

TEMPORARY SHEET PILING DETAILS

IF THE CONTRACTOR CHOOSES TO ALTER THE TEMPORARY CANTILEVER SHEET PILING DESIGN REQUIREMENTS SHOWN OF THE PLANS, A DESIGN SUBMITTAL INCLUDING PLAN DETAILS AND CALCULATIONS WILL BE REQUIRED FOR REVIEW AND ACCEPTANCE BY THE ENGINEER.

SUBSTRUCTURE LAYOUT
 FAS 259 C.H. 3
 OVER FOX RIVER
 LA SALLE COUNTY
 STA. 20+15.00
 STRUCTURE NO. 050-3562

DRAWN BY: LAG	CAD: SUBLAY	REVISIONS		SCALE: AS NOTED	SHEET 28
		DATE	BY		
CHECKED BY: JKC	DATE: 02/03	3/08/04	NET	FILE NO.: 11174.01Y-1	OF 79