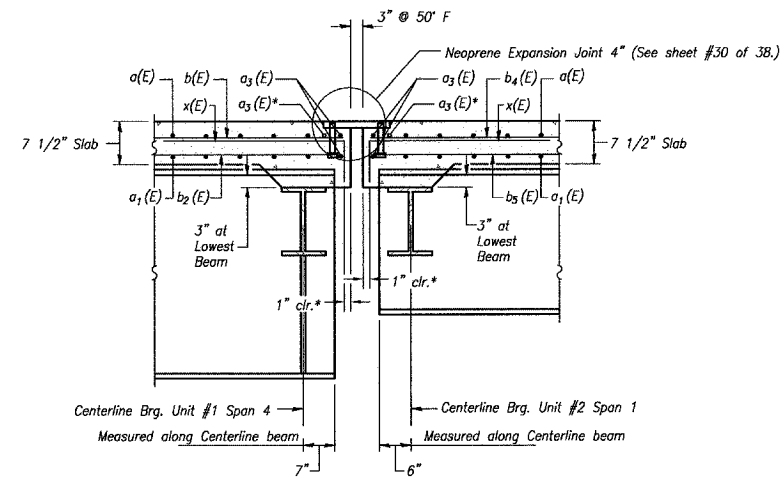


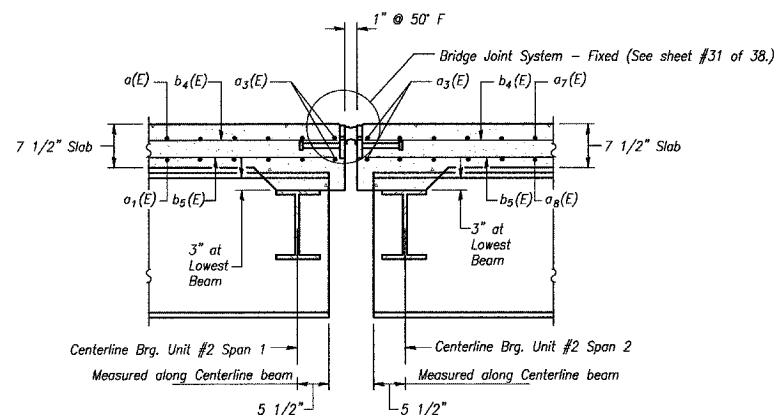
**SECTION A-A**  
(S. Abutment)

\* Place  $a_3(E)$  and  $h_{11}(E)$  bars in back of anchor bolts as shown if required to maintain 1" cl. (+0- 1/8"). Anchor bolts should be tied to  $a_3(E)$  and  $h_{11}(E)$  bars.

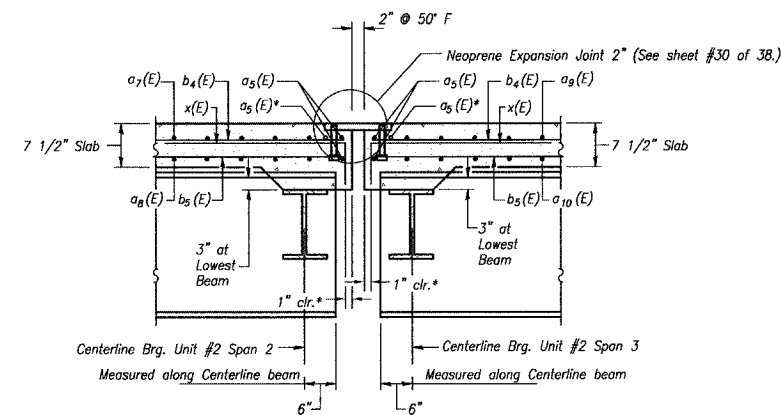


**SECTION B-B**  
(Pier 4)

\* Place  $a_3(E)$  bars in back of anchor bolts as shown if required to maintain 1" cl. (+0- 1/8"). Anchor bolts should be tied to  $a_3(E)$ .

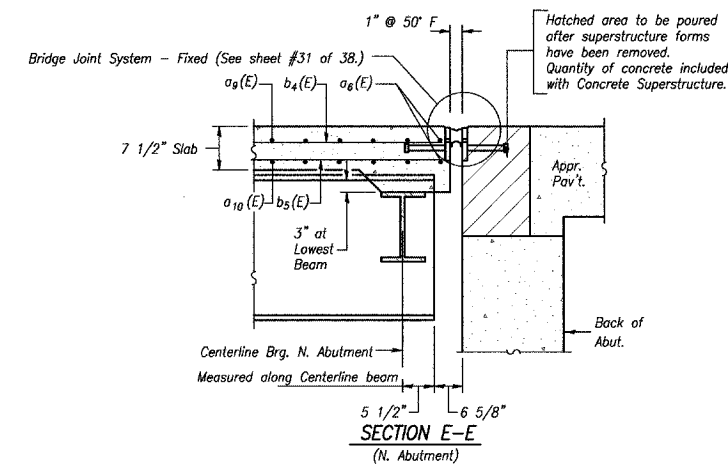


**SECTION C-C**  
(Pier 5)



**SECTION D-D**  
(Pier 6)

\* Place  $a_5(E)$  bars in back of anchor bolts as shown if required to maintain 1" cl. (+0- 1/8"). Anchor bolts should be tied to  $a_5(E)$ .



**SECTION E-E**  
(N. Abutment)

SUPERSTRUCTURE DETAILS  
SECTIONS AT ABUTMENTS AND PIERS  
FAS 259 C.H. 3  
OVER FOX RIVER  
LA SALLE COUNTY  
STA. 20+15.00  
STRUCTURE NO. 050-3562

DRAWN BY: LAG	CAD: JOINTS	REVISIONS		SCALE: AS NOTED	SHEET 36
		DATE	BY		
CHECKED BY: JKC	DATE: 02/03	3/08/04	NET	FILE NO.: 11174.01Y-1	OF 79