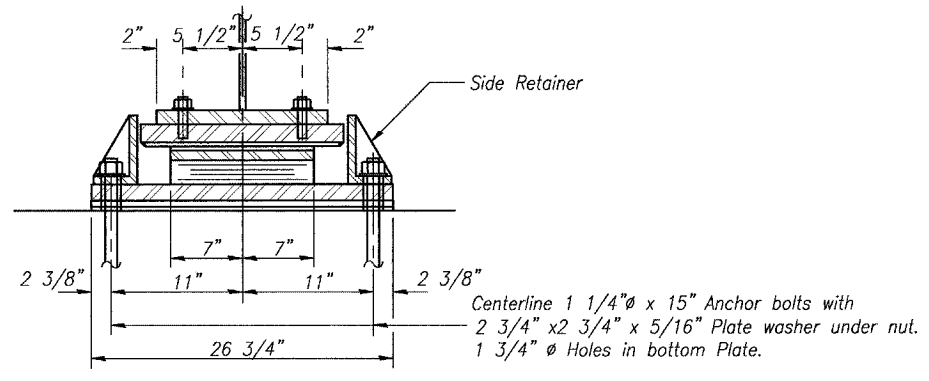


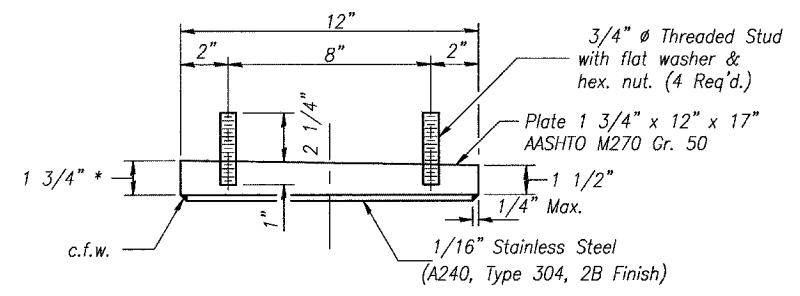
ELEVATION AT ABUT. TYPE II ELASTOMERIC EXP. BRG. (SOUTH ABUT. & PIER 4(S))



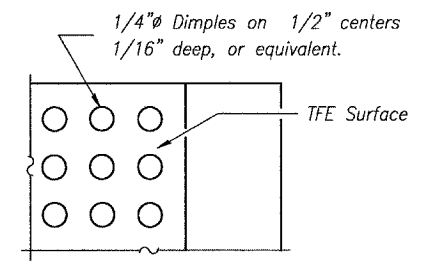
SECTION A-A

SHIM PLATE TABLE

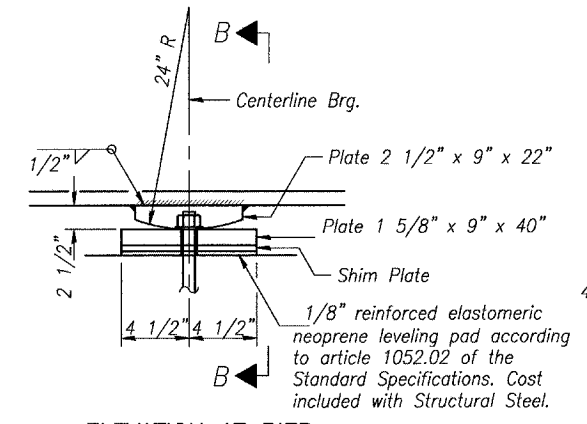
Bm or Girder	S ABUT	PIER 2	PIER 4
	11"x26 3/4"	9"x40"	11"x26 3/4"
1	-	-	(south)
2	-	-	1/8
3	-	3/8	-
4	3/4	-	-
5	3/4	-	-
6	5/8	-	-



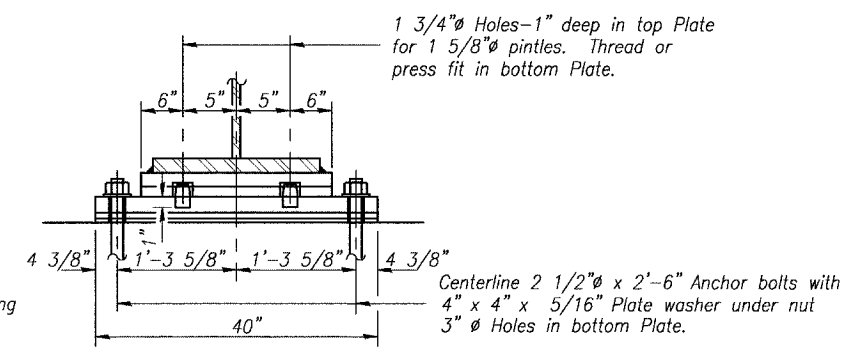
TOP BEARING ASSEMBLY



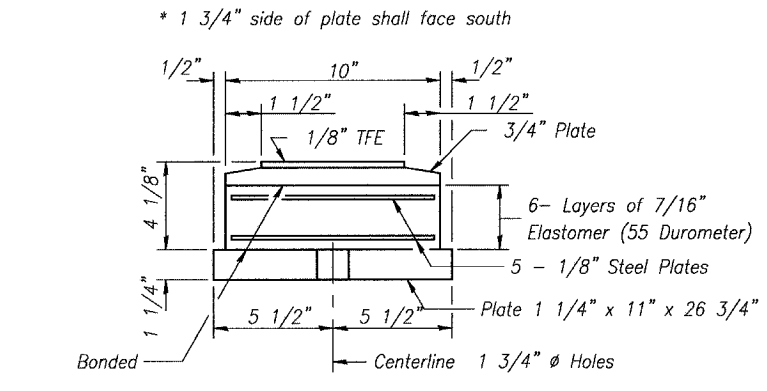
PLAN-TFE SURFACE



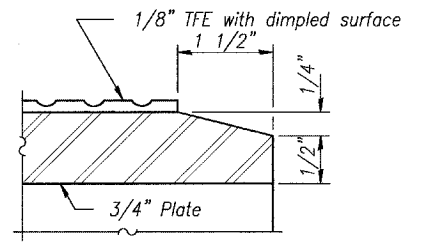
ELEVATION AT PIER



SECTION B-B



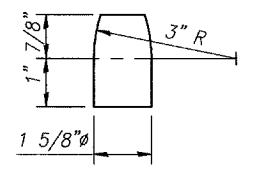
BOTTOM BEARING ASSEMBLY



SECTION THRU TFE

FIXED BEARING (PIER 2)

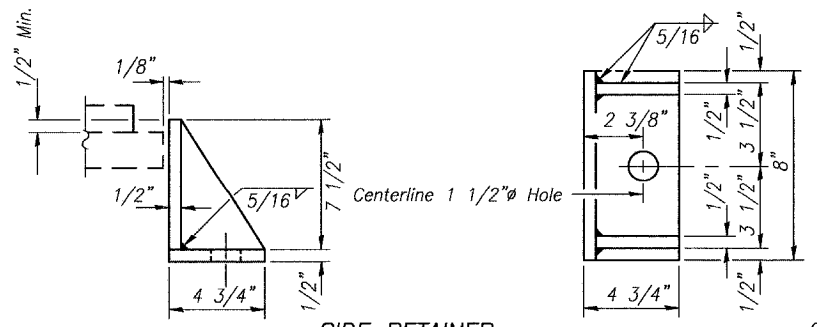
All structural steel for fixed bearings except for shim plates shall be AASHTO M270 Gr. 50.



PINTLE

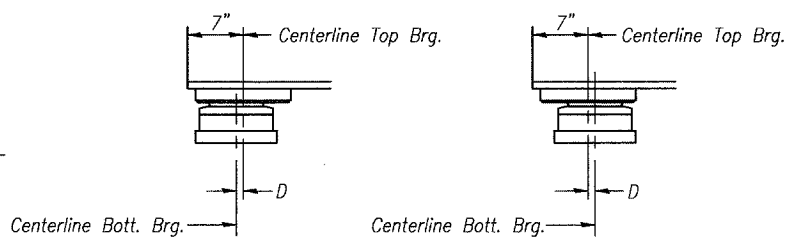
Note: The 1/8" TFE sheet shall be bonded directly to the top steel plate with a two-component, medium viscosity epoxy resin, conforming to the requirements of the Federal Specification MMM-A-134, Type I. The bond agent shall be applied on the full area of the contact surfaces.

Bonding of 1/8" TFE sheet during vulcanizing process will be permitted provided the process and method of adjusting assembly height is approved by the Engineer.



SIDE RETAINER

Equivalent rolled angle with stiffeners will be allowed in lieu of welded plates. Weight included with Structural Steel.



SETTING ANCHOR BOLTS AT EXP. BRG.

D = 1/8" per each 100' of expansion for every 15' temp. change from the normal temp. of 50°F.

BILL OF MATERIAL

Item	Unit	Total
Elastomeric Bearing Assembly Type II	Each	12

Notes: Anchor bolts at fixed bearings may be built into the masonry. See sheet # 33 of 38 for Anchor Bolt installation.

FIXED AND TYPE II ELASTOMERIC BEARING DETAILS FAS 259 C.H. 3 OVER FOX RIVER LA SALLE COUNTY STA. 20+15.00 STRUCTURE NO. 050-3562

DRAWN BY: ARR	CAD: Bears2	REVISIONS	SCALE: NONE	SHEET 44
CHECKED BY: JKC	DATE: 02/03	DATE: 3/08/04 BY: NET	FILE NO.: 11174.01	OF 79