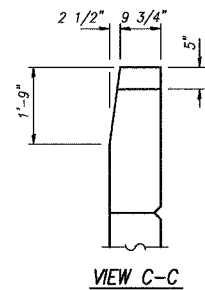
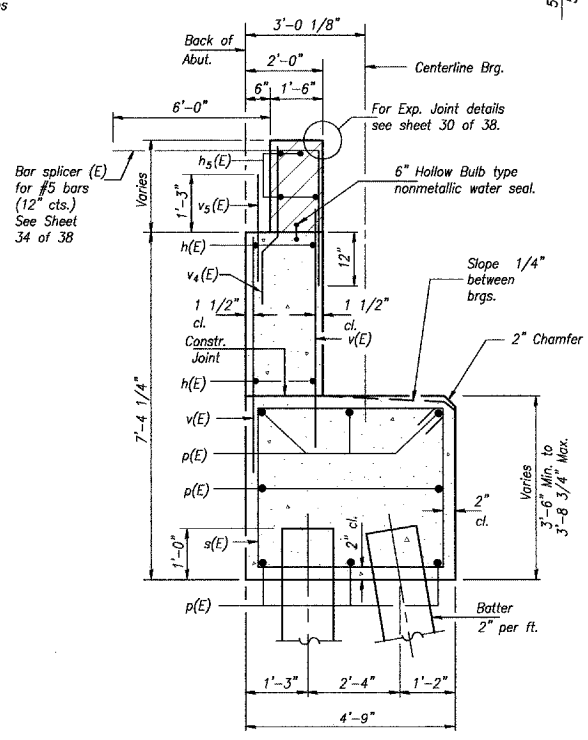


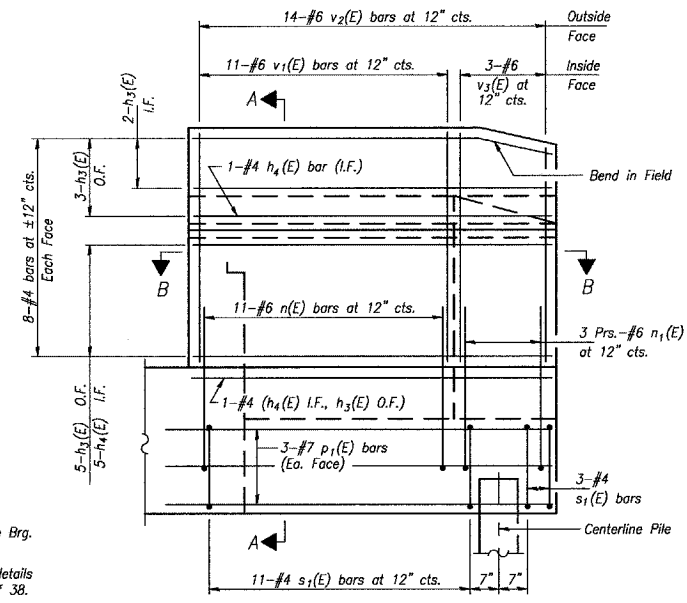
WING WALL ELEVATION
Showing Dimensions



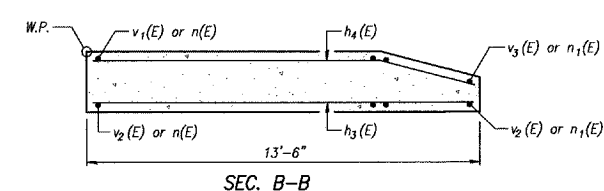
VIEW C-C



SEC. THRU ABUT.

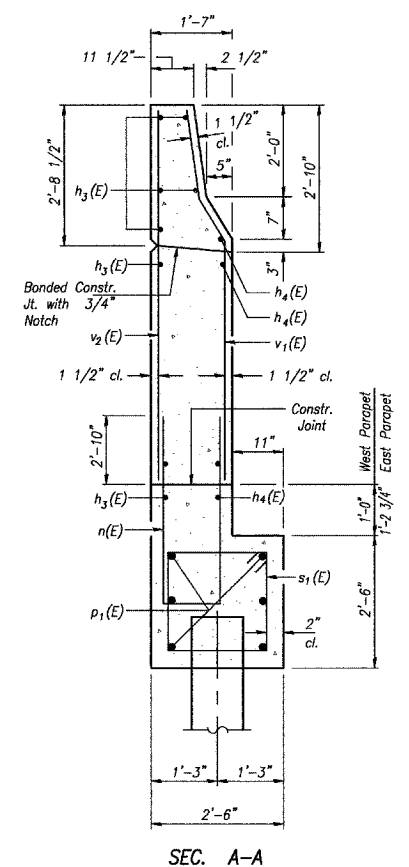


WING WALL ELEVATION
Showing Reinforcement



SEC. B-B

Notes: Hatched area to be poured after superstructure forms have been removed. Quantity of concrete included with Concrete Superstructure. Space reinforcement in cap to miss anchor bolts. Pour steps monolithically with cap. Reinforcement bars designated (E) shall be epoxy coated. Quantity of concrete in end post included with Concrete Superstructure on sheet 13 of 38.



SEC. A-A

SOUTH ABUTMENT WINGWALL DETAILS
FAS 259 C.H. 3
OVER FOX RIVER
LA SALLE COUNTY
STA. 20+15.00
STRUCTURE NO. 050-3562

DRAWN BY: LAG	CAD: WING	REVISIONS		SCALE: AS NOTED	SHEET 46
		DATE	BY		
CHECKED BY: JKC	DATE: 02/03	3/08/04	NET	FILE NO.: 11174.01Y-1	OF 79