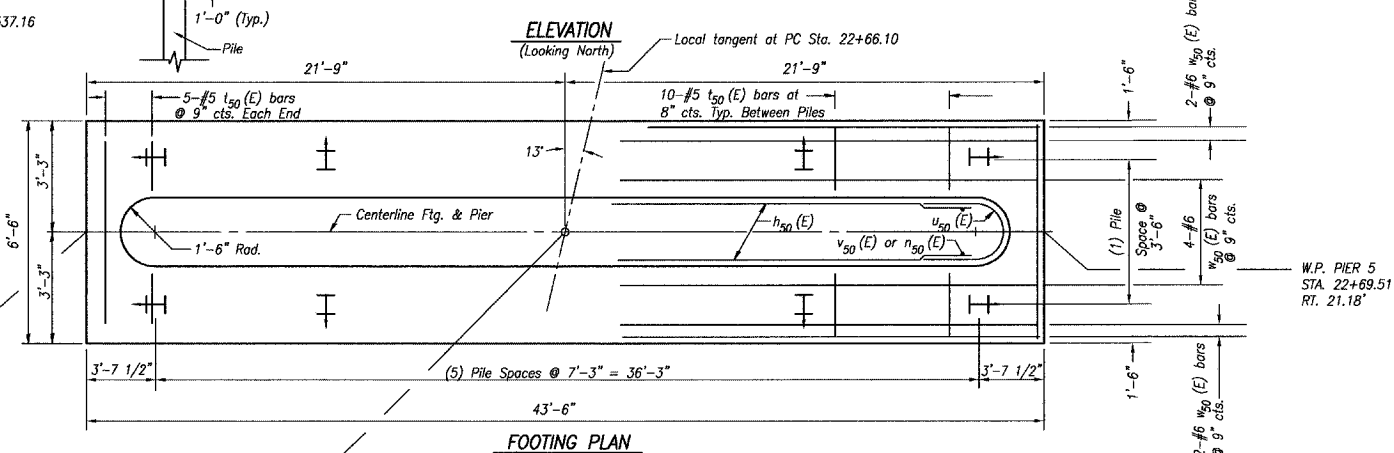
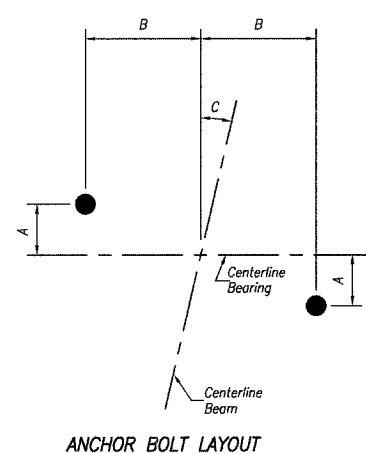
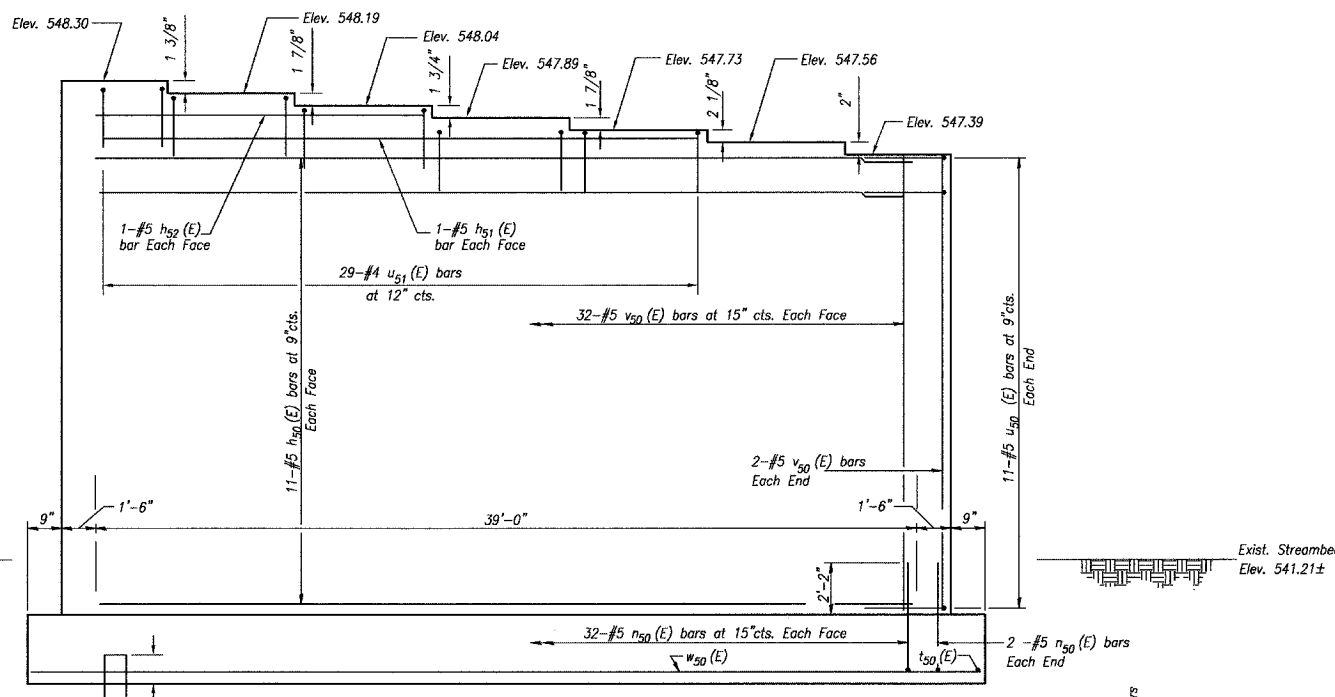
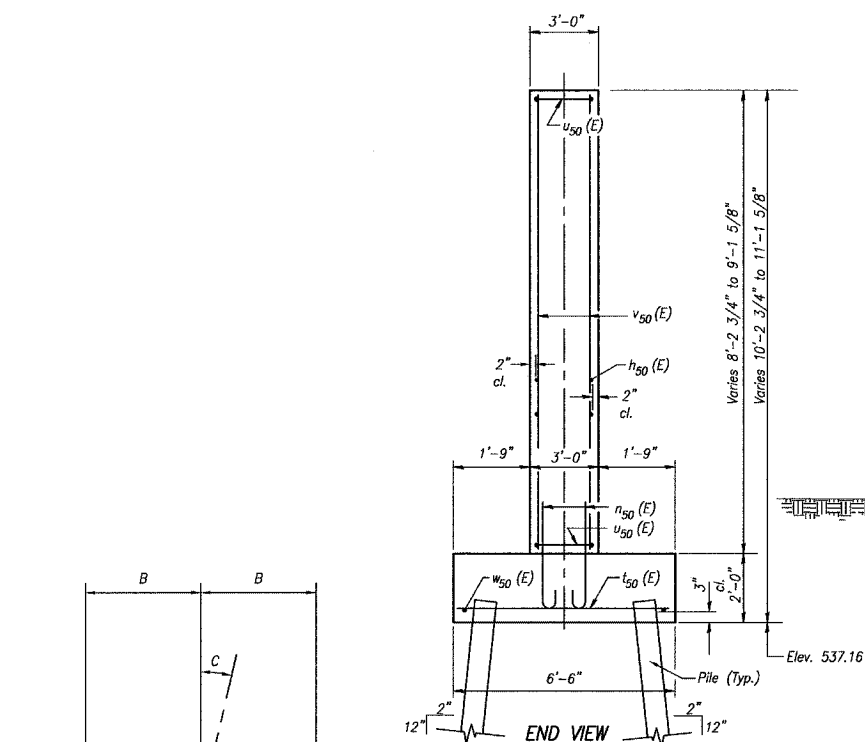
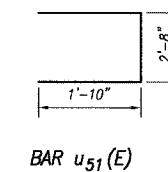
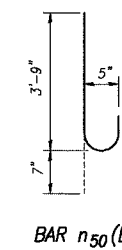
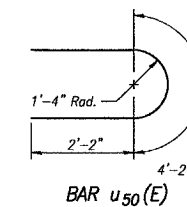
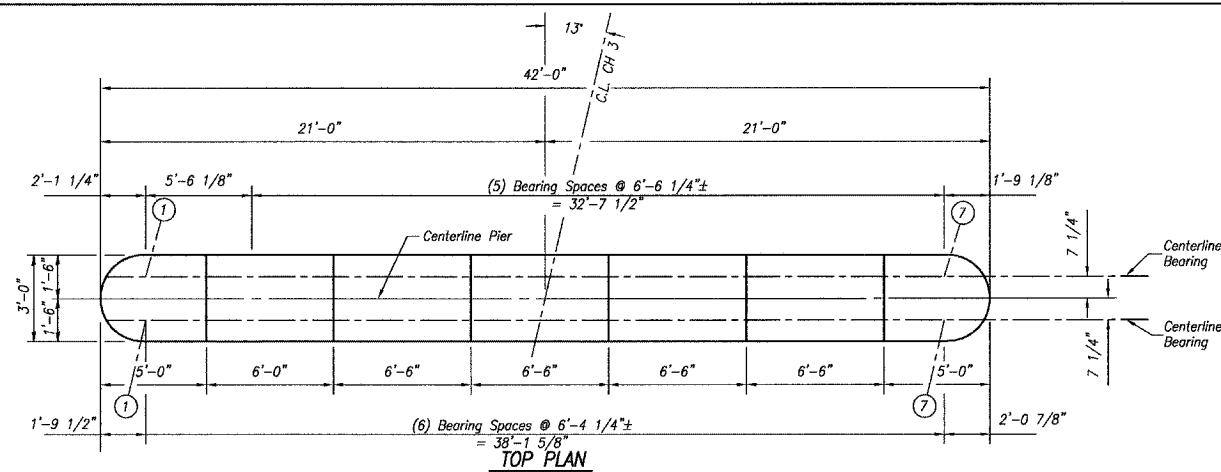


Notes: Space reinforcement in cap to miss anchor bolts.
Pour steps monolithically with pier.

PILE DATA

Type: Steel HP 10x42
Required Bearing: Refusal
Est. Length: 17.5'
No. Req'd: 11 plus one test pile

* Estimated Scour Elevation.

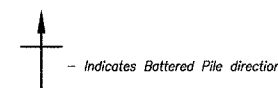


LOCATION	DIMENSION		
	A	B	C
Beams 1 thru 7 South Bearings	1 3/4"	7 1/4"	13"
Beams 2 thru 7 North Bearings	2 1/8"	7 1/8"	15'39"44"
Beam 1 North Bearing	2"	7 1/4"	15'18"02"

BILL OF MATERIAL

Bar	No.	Size	Length	Shape
h50 (E)	22	# 5	39'-0"	—
h51 (E)	2	# 5	28'-10"	—
h52 (E)	2	# 5	15'-10"	—
n50 (E)	68	# 5	4'-4"	U
t50 (E)	60	# 5	6'-2"	—
u50 (E)	22	# 5	8'-6"	U
u51 (E)	29	# 4	6'-4"	U
v50 (E)	68	# 5	8'-0"	—
w50 (E)	8	# 6	43'-2"	—
Structure Excavation		Cu. Yd.	74.8	
Reinforcement Bars, Epoxy Coated		Pound	3080	
Concrete Structures		Cu. Yd.	60.9	
Furnishing Steel Piles		Foot	192.5	
HP 10x42		Foot	192.5	
Driving Steel Piles		Foot	192.5	
Test Pile HP 10x42		Each	1	
Metal Shoes		Each	11	

Reinforcement Bars designated (E) shall be epoxy coated.



PIER 5 DETAILS
FAS 259 C.H. 3
OVER FOX RIVER
LA SALLE COUNTY
STA. 20+15.00
STRUCTURE NO. 050-3562

DRAWN BY: CHAMS	CAD: PIER2	REVISIONS		SCALE: AS NOTED	SHEET 53
		DATE	BY		
CHECKED BY: JKC	DATE: 02/03	3/08/04	NET	FILE NO.: 11174.01Y-1	OF 79