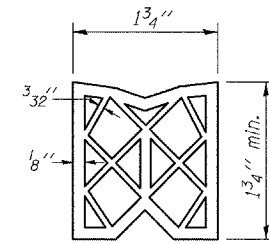
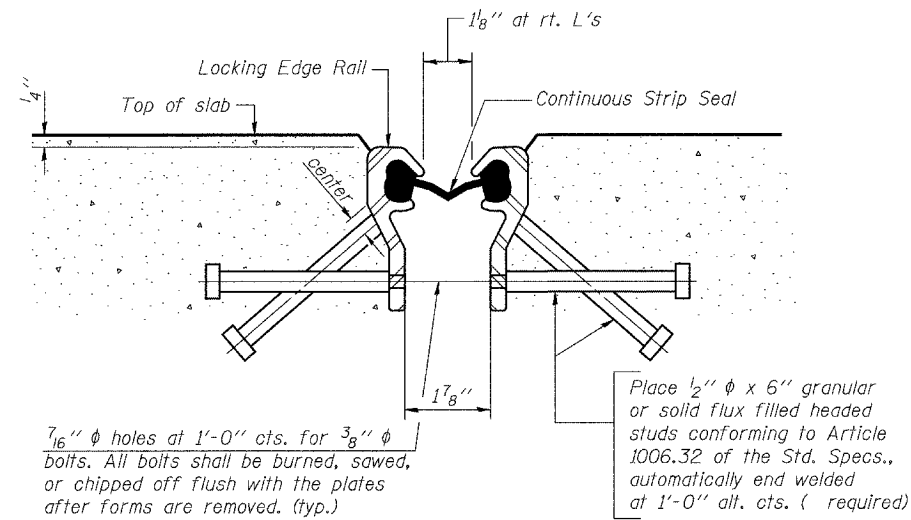


SECTION THRU FIXED PREFORMED JOINT SEAL



PREFORMED JOINT SEAL



SECTION THRU FIXED STRIP SEAL JOINT

GENERAL NOTES

Furnish PJS steel plates in segments of 20 feet maximum length. Maximum space between installed segments shall be 3/16". Seal space with silicone sealant suitable for structural steel.

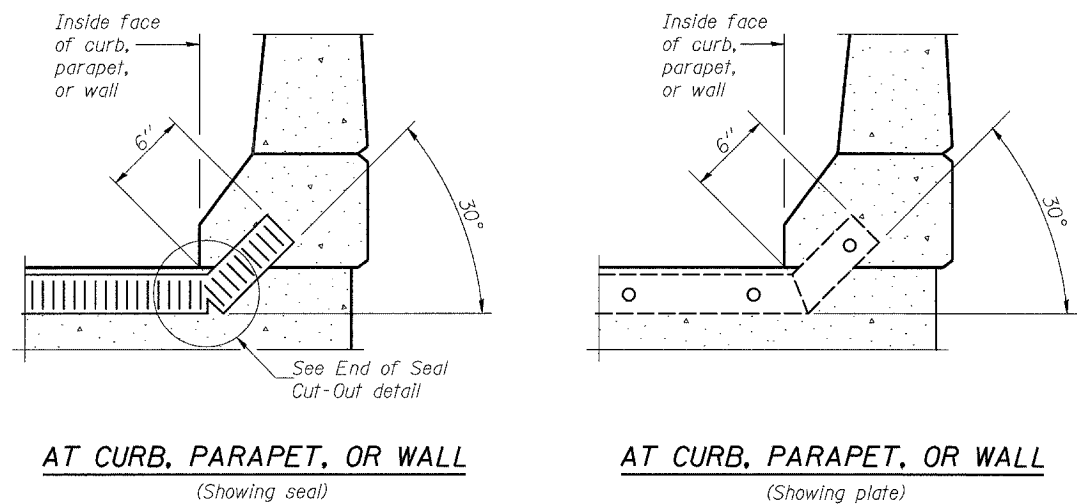
The strip seal shall be made continuous and shall have a minimum thickness of 1/4". The configuration of the strip seal shall match the configuration of the Locking Edge Rails.

The height and thickness of the Locking Edge Rails shown are minimum dimensions. The actual configuration of the Locking Edge Rails and matching strip seal may vary from manufacturer to manufacturer. Flanged edge rails will not be allowed.

Locking Edge Rails may be spliced at slope discontinuities and stage construction joints.

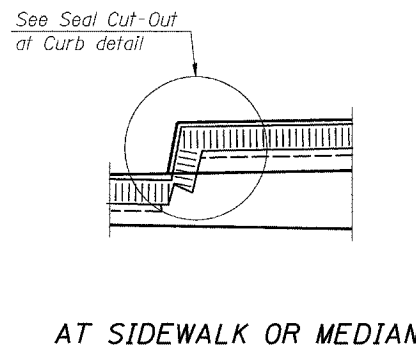
The manufacturer's recommended installation methods shall be followed.

The joint opening and deck dimensions detailed on the superstructure are based on a preformed joint seal. If the contractor elects to use the alternate strip seal joint, the opening and deck dimensions shall be modified according to the dimensions detailed on this sheet. Required modifications shall be made at no additional cost to the State.



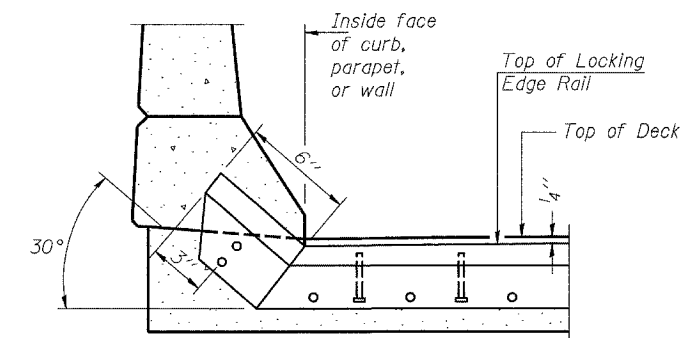
AT CURB, PARAPET, OR WALL
(Showing seal)

AT CURB, PARAPET, OR WALL
(Showing plate)

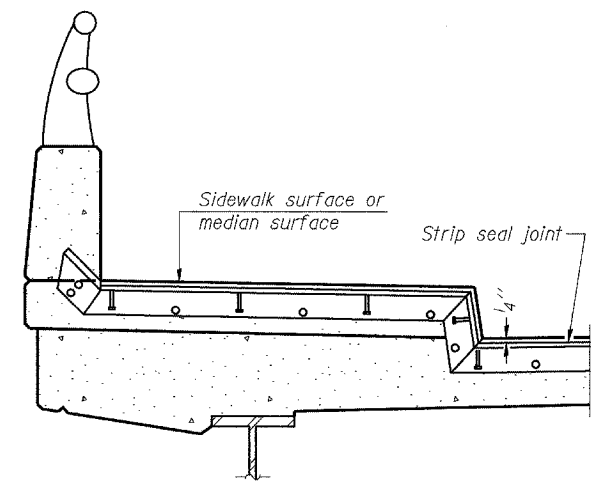


AT SIDEWALK OR MEDIAN

TYPICAL END TREATMENTS FOR PREFORMED JOINT SEAL

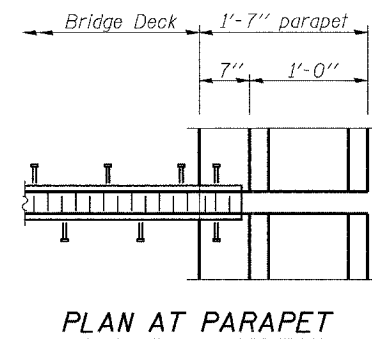


AT CURB, PARAPET, OR WALL

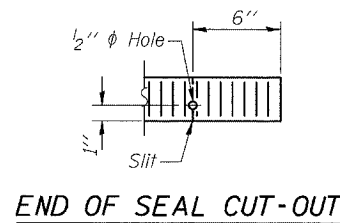


AT SIDEWALK OR MEDIAN

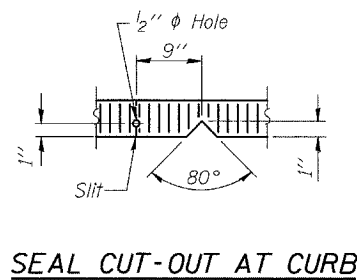
TYPICAL END TREATMENTS FOR STRIP SEAL



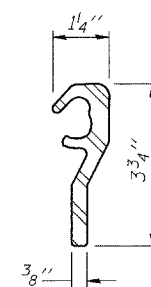
PLAN AT PARAPET



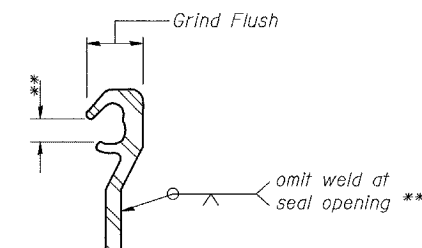
END OF SEAL CUT-OUT



SEAL CUT-OUT AT CURB



LOCKING EDGE RAIL



LOCKING EDGE RAIL SPLICE

The inside of the Locking Edge Rail groove shall be free of weld residue.

BILL OF MATERIAL

Item	Unit	Total
Bridge Joint System (Fixed)	foot	88.4

BRIDGE JOINT SYSTEM - FIXED
FAS 259 C.H. 3
OVER FOX RIVER
LA SALLE COUNTY
STA. 20+15.00
STRUCTURE NO. 050-3562

DESIGNED -	20
CHECKED -	EXAMINED
DRAWN -	PASSED
CHECKED -	ENGINEER OF BRIDGE DESIGN
	ENGINEER OF BRIDGES AND STRUCTURES

FJ-BJS 10-31-02

DRAWN BY: LAG	CAD: JOINT2	REVISIONS	SCALE: NONE	SHEET 56
CHECKED BY: JKC	DATE: 02/03	DATE BY	FILE NO.: 11174.01Y-1	OF 79