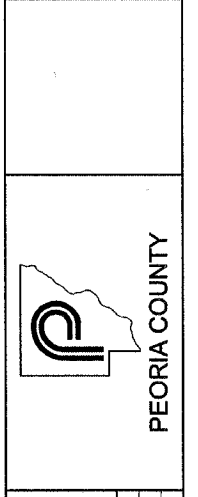


REVISION	DATE

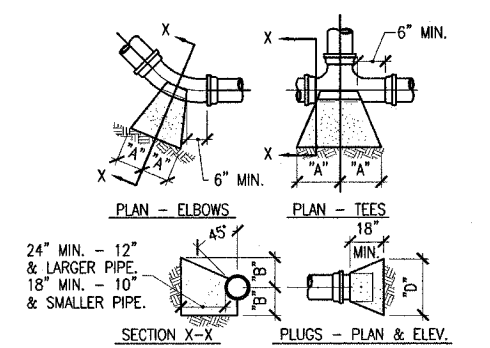
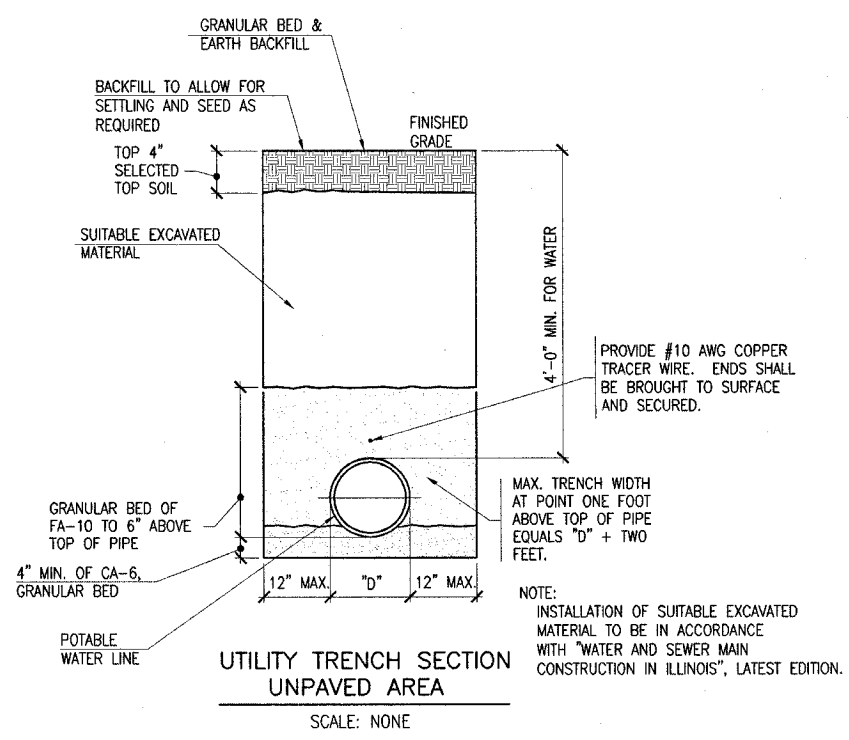
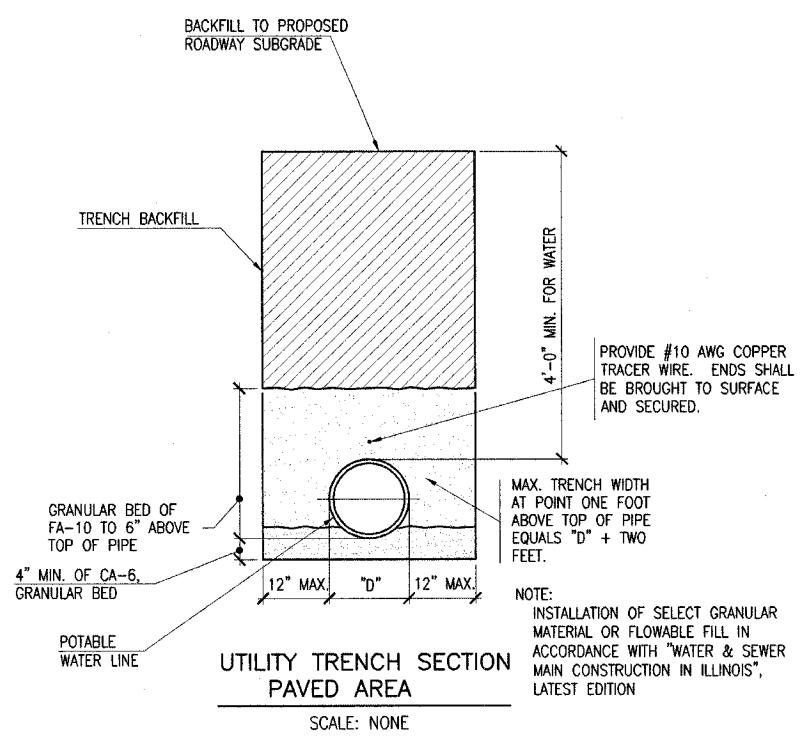


Project No. 96P9008A	Drawn: C-302WAT.DWG	Scale: 1"=50' H., 1"=5' V.	Date: 12/16/2004
LAYOUT	CAL	05/26/04	
DRAWN	RLA	12/15/04	
REVIEWED	CAL	12/15/04	

Phone: (309) 691-0902
 Fax: (309) 691-1327
 www.hanson-inc.com
 Offices Nationwide



UTILITY DETAILS
 RELOCATION OF COUNTY HIGHWAY R40
 PEORIA COUNTY
 COUNTY HIGHWAY R40 UNDER BNSF R.R.

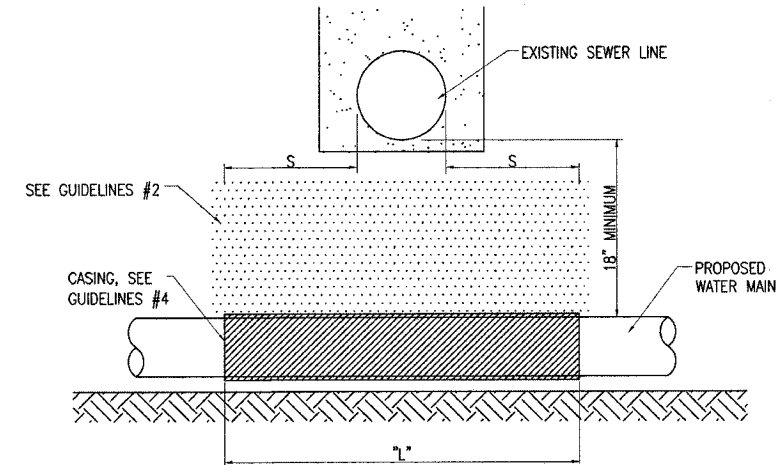
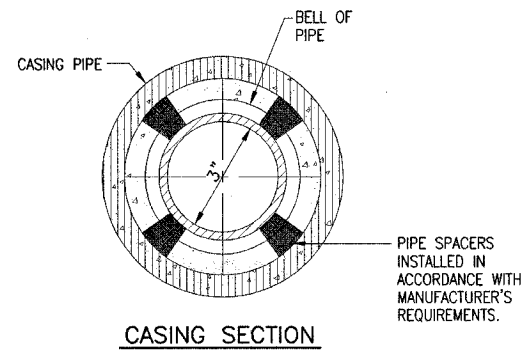


TYPE	SIZE	1/4 BENDS		1/8 BENDS		1/16 BENDS		TEES		PLUGS	
		"A"	"B"	"A"	"B"	"A"	"B"	"A"	"B"	"C"	"D"
2000 PSF SOIL	4"	14"	8"	8"	8"	6"	8"	8"	10"	8"	18"
	6"	16"	10"	9"	10"	6"	8"	10"	12"	10"	21"
	8"	22"	13"	12"	13"	8"	10"	13"	16"	12"	29"
	10"	26"	17"	14"	17"	10"	13"	16"	20"	14"	36"
	12"	29"	21"	16"	21"	11"	16"	18"	24"	16"	41"
	14"	35"	24"	19"	24"	12"	20"	22"	27"	18"	48"
16"	38"	27"	21"	27"	12"	24"	24"	30"	20"	54"	

NOTE: BASED ON 100 PSI STATIC PRESSURE PLUS A.W.W.A. WATER HAMMER. ALL BEARING SURFACES TO BE CARRIED TO UNDISTURBED GROUND.

THRUST BLOCK DETAIL
 SCALE: NONE

COST FOR THRUST BLOCKS INCLUDED IN THE COST OF WATER MAIN 3".



GUIDELINES

OMIT SELECT GRANULAR EMBEDMENT AND GRANULAR BACKFILL TO ONE (1) FOOT OVER TOP OF WATER MAIN AND USE SELECT EXCAVATED MATERIAL (CLASS IV) AND COMPACT THE LENGTH OF "L".

IF SELECT GRANULAR BACKFILL EXISTS, REMOVE WITHIN WIDTH OF EXISTING SEWER LINE TRENCH AND REPLACE WITH SELECT EXCAVATED MATERIAL (CLASS IV) AND COMPACT.

PROVIDE ADEQUATE SUPPORT FOR EXISTING SEWER LINE TO PREVENT DAMAGE DUE TO SETTLEMENT.

USE "L" FEET OF WATER MAIN MATERIAL FOR CASING OF PROPOSED WATER MAIN AND SEAL ENDS OF CASING.

PROPOSED WATER MAIN BELOW EXISTING SEWER LINE WITH 18" MINIMUM VERTICAL SEPARATION.

NOTE: COMPACTION REQUIREMENTS REFER TO 20-2.20B OF THE STANDARD SPECIFICATIONS FOR WATER AND SEWER MAIN CONSTRUCTION IN ILLINOIS.