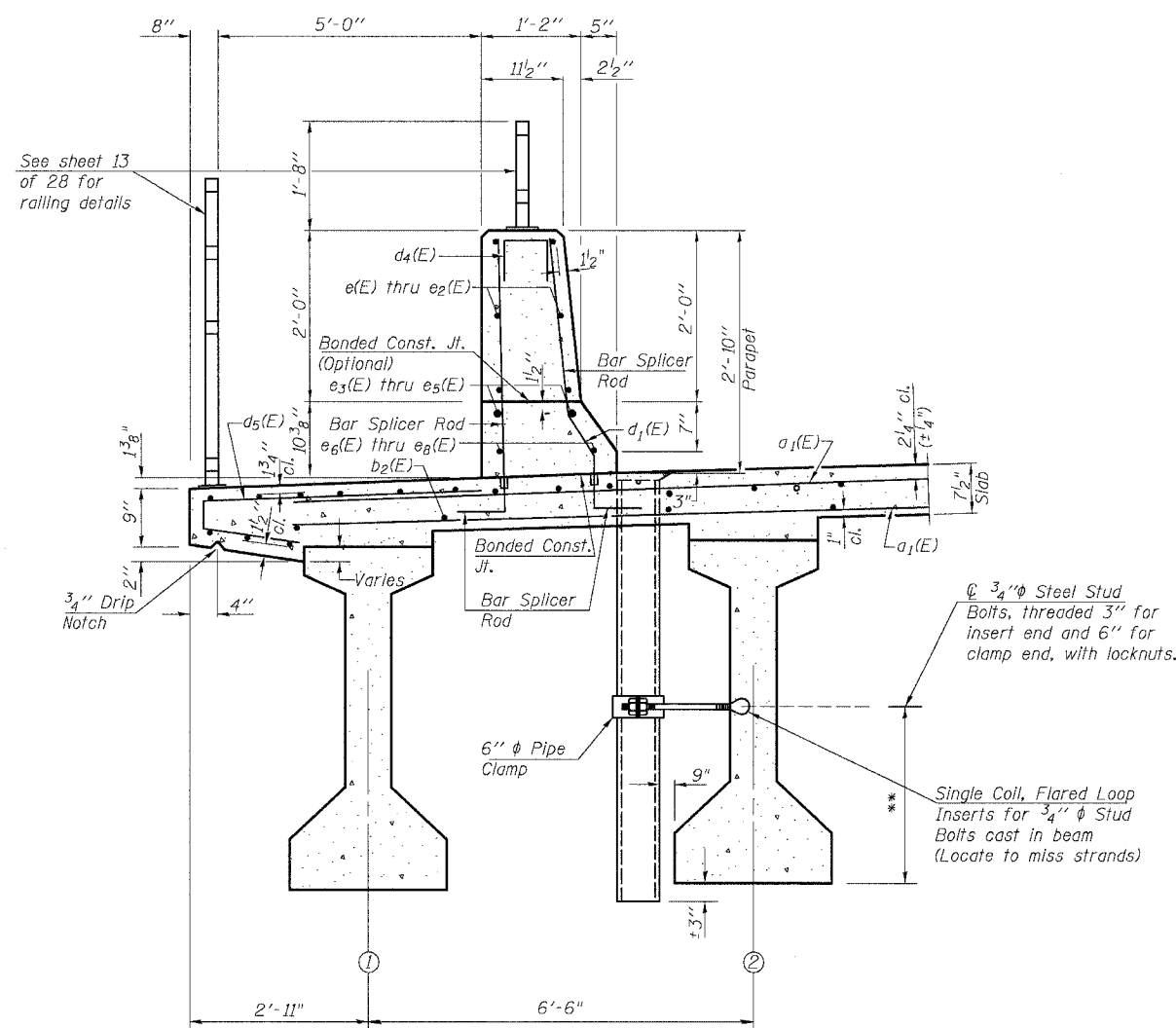
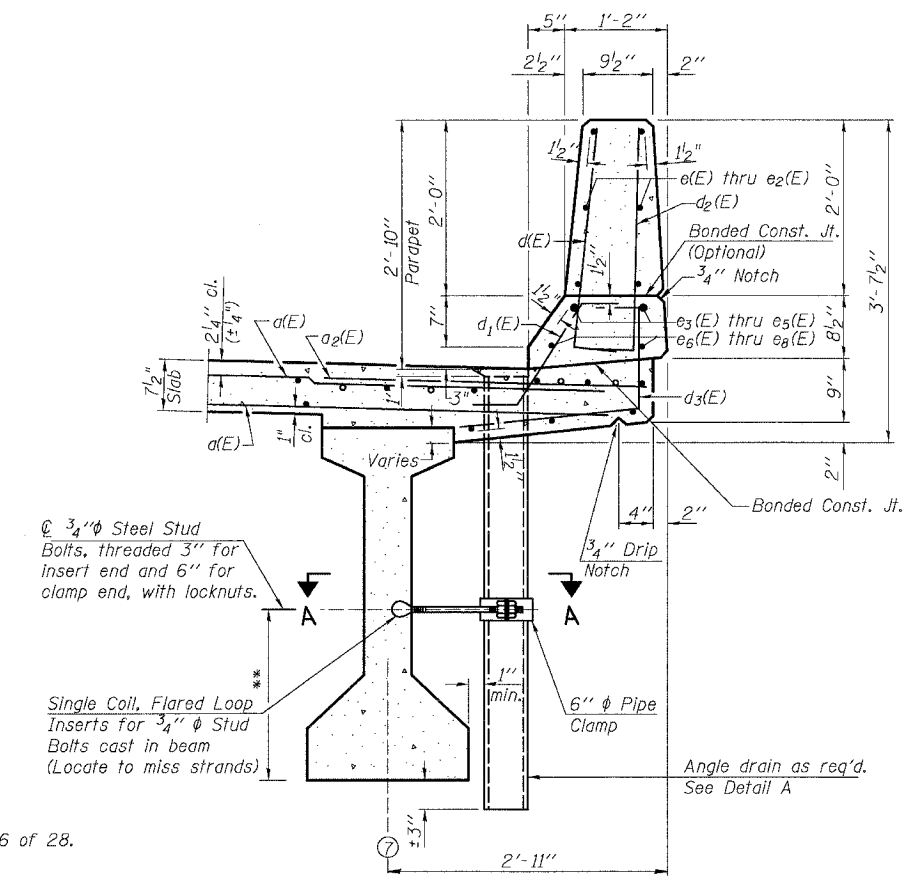


FAP ROUTE	SECTION	COUNTY	TOTAL SHEETS	SHEET NO.	SHEET NO. 9 28 SHEETS
711	115(BY)BR	VERMILION	93	28	
FED. ROAD DIST. NO.	ILLINOIS	FED. AID PROJECT-			

CONTRACT NO. 98843

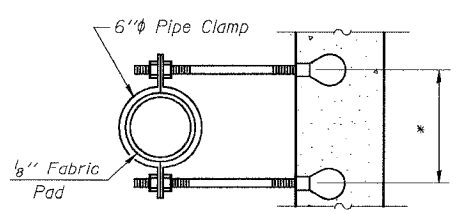


SECTION THRU NORTH PARAPET & SIDEWALK

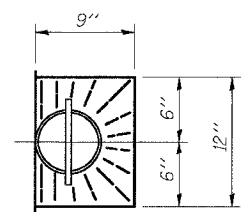


SECTION THRU SOUTH PARAPET

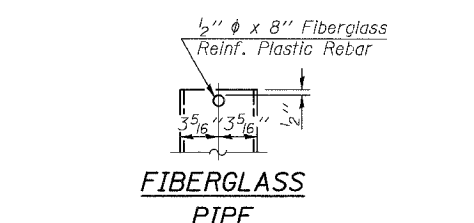
**For insert locations see sheets 15 and 16 of 28.



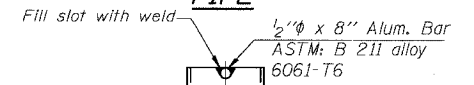
SECTION A-A



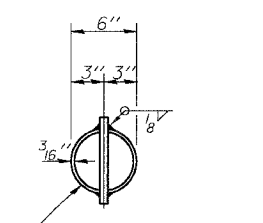
TOP PLAN



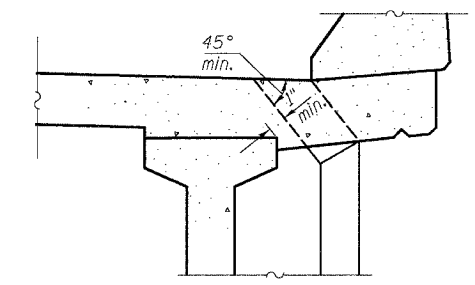
FIBERGLASS PIPE



ALUMINUM TUBE



TOP PLAN (Showing Aluminum Tube)



DETAIL A

NOTES

- Fiberglass pipe shall conform to ASTM D2996, with short-time rupture strength hoop tensile stress of 30,000 p.s.i. minimum.
- The exterior surfaces of the floor drains shall be coated or pigmented by the manufacturer with a color that matches the concrete.
- The clamping device and inserts shall be galvanized according to AASHTO M 232.

ILLINOIS DEPARTMENT OF TRANSPORTATION	
SHEET TITLE SUPERSTRUCTURE DETAILS	
PROJECT US RTE 136 OVER BLUEGRASS CREEK FAP ROUTE 711 SECTION 115(BY)BR VERMILION COUNTY STATION 236+24.70 STRUCTURE NUMBER 092-0200	PROJECT NO. 01054 SCALE DATE 05/18/04 DRAWN BY TFC CHECKED BY X.P.S./C.M.E./M.C.B. DRAWING NO.
COOMBE-BLOXDORF P.C. Engineers / Land Surveyors Springfield, Illinois Design Firm License No. 184-002703	9 OF 28 SHTS