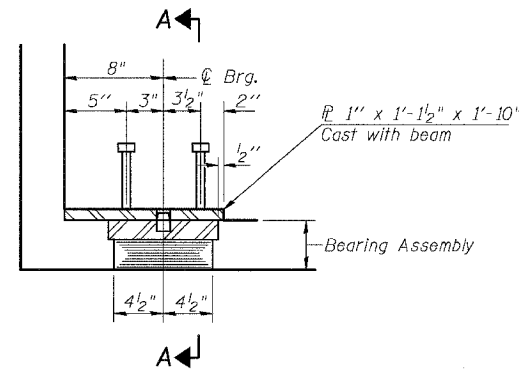
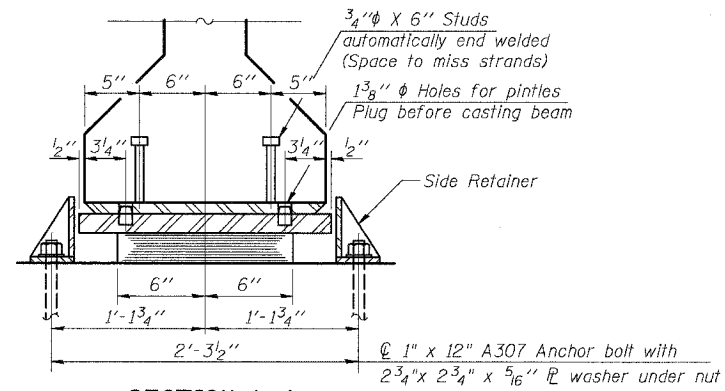


FAP ROUTE	SECTION	COUNTY	TOTAL SHEETS	SHEET NO.	SHEET NO. 17 28 SHEETS
711	115(BY)BR	VERMILION	93	36	
FED. ROAD DIST. NO.		ILLINOIS	FED. AID PROJECT-		
CONTRACT NO. 90B43					



SECTION AT ABUT.

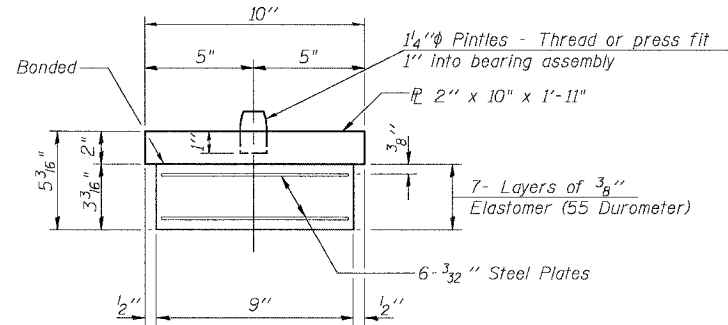


SECTION A-A

TYPE I ELASTOMERIC EXP. BRG.

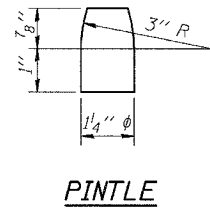
NOTES

After beams have been erected holes at expansion bearings shall be drilled and anchor bolts grouted in place. See sheet 25 of 28 for anchor bolt installation. Cost of side retainers and anchor bolts is included with Furnishing and Erecting Precast Prestressed Concrete I-Beams, 42"

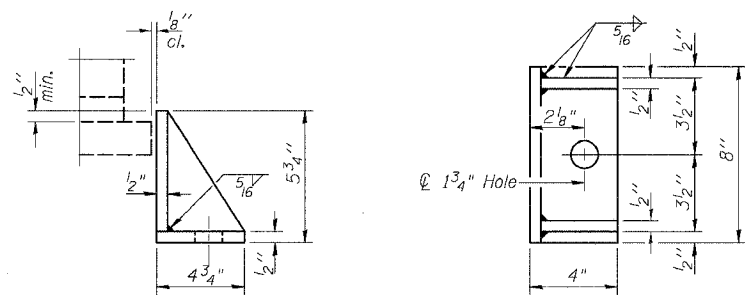


BEARING ASSEMBLY

Note: Shim plates shall not be placed under Bearing Assembly.



PINTLE



SIDE RETAINER

Equivalent rolled angle with stiffeners will be allowed in lieu of welded plates.

BILL OF MATERIAL

Item	Unit	Total
Elastomeric Bearing Assembly, Type I	Each	14

ILLINOIS DEPARTMENT OF TRANSPORTATION	
SHEET TITLE BEARING DETAILS	
PROJECT US RTE 136 OVER BLUEGRASS CREEK FAP ROUTE 711 SECTION 115(BY)BR VERMILION COUNTY STATION 236+24.70 STRUCTURE NUMBER 092-0200	PROJECT NO. 01054 SCALE DATE 05/18/04 DRAWN BY TFG CHECKED BY KFS/CME/MCB DRAWING NO.
COOMBE-BLOXDORF P.C. Engineers / Land Surveyors Springfield, Illinois	17
Design Firm License No. 184-002703	OF 28 SHTS