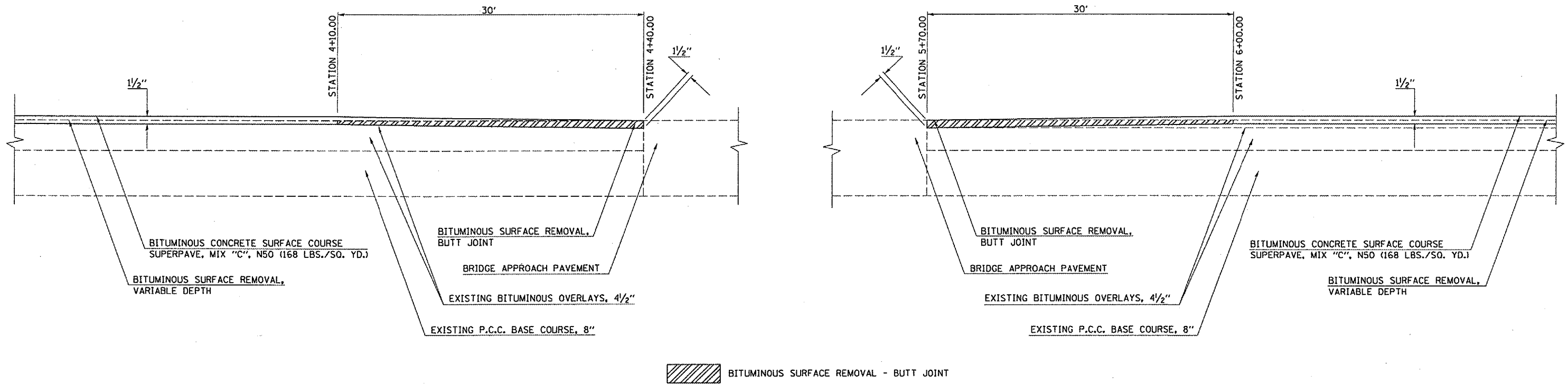


BUTT JOINT DETAIL AT STRUCTURE NO. 092-0156

STATION 5 + 05.00



BUTT JOINT DETAIL AT STRUCTURE NO. 092-0063

STATION 236 + 24.00

