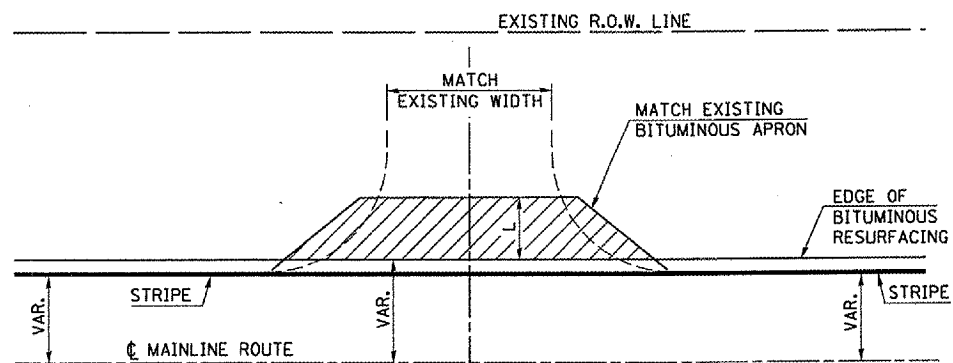
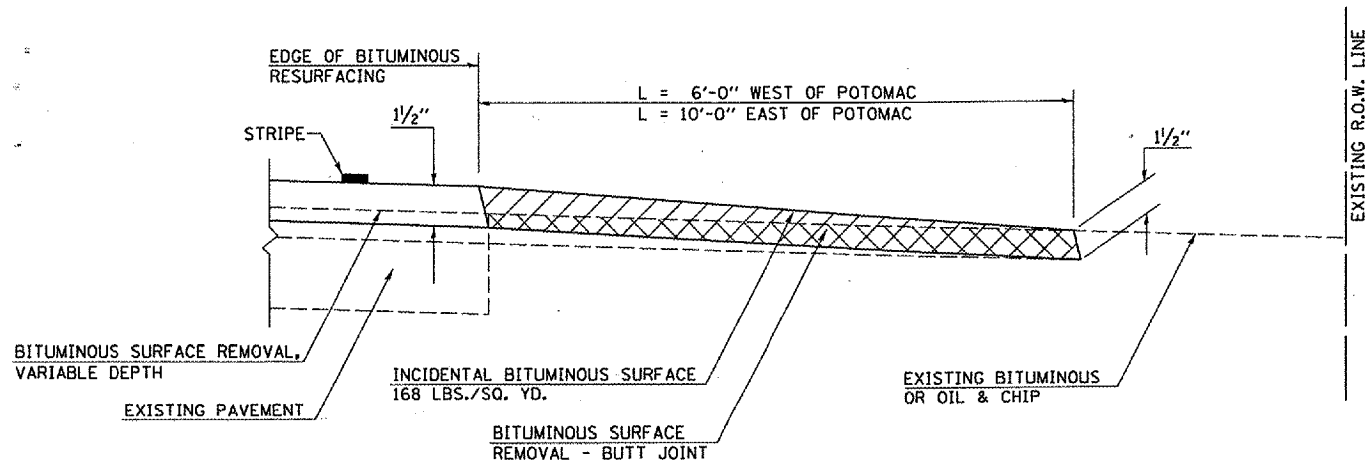


TYPICAL DETAIL OF RURAL PRIVATE AND COMMERCIAL ENTRANCES

(BITUMINOUS OR OIL & CHIP)



PLAN



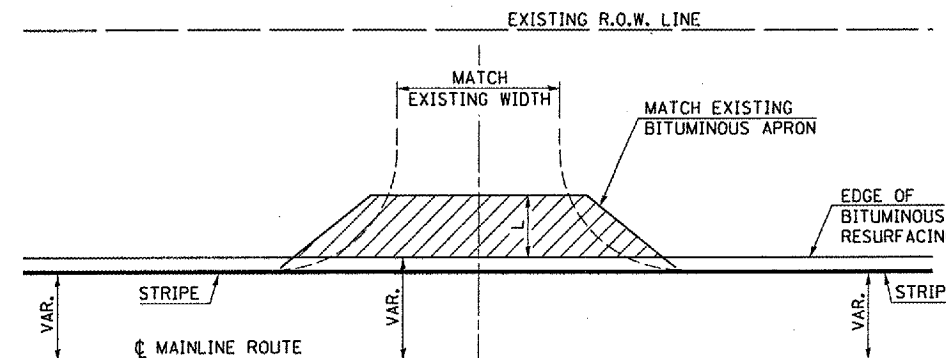
PROFILE

GENERAL NOTES

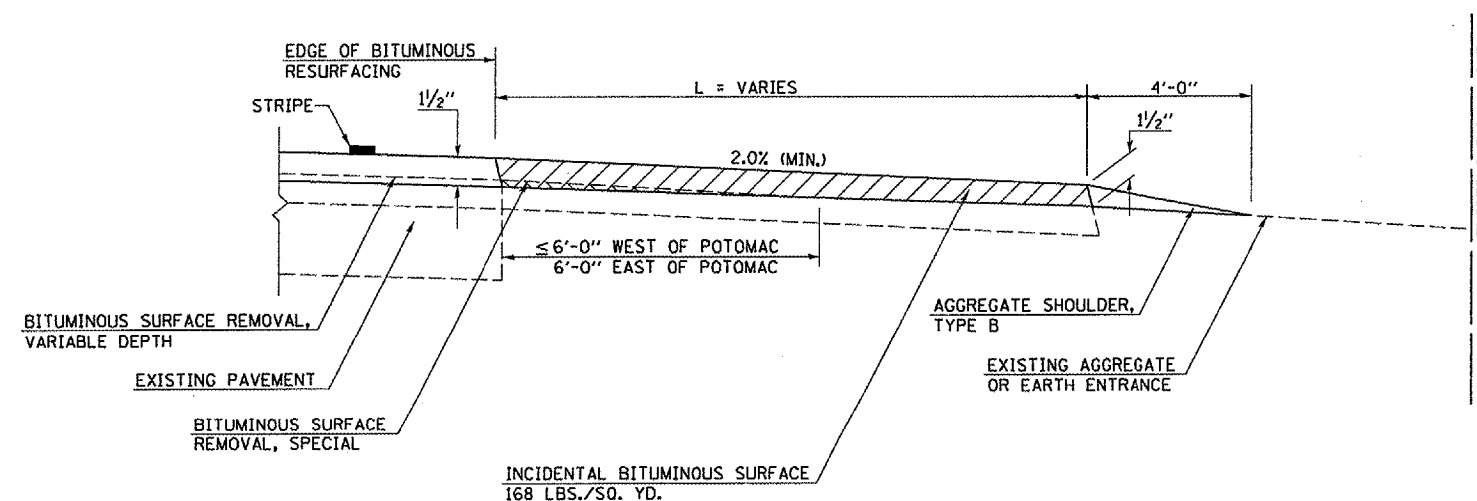
1. THE EXISTING SURFACE SHALL BE PREPARED IN ACCORDANCE WITH SECTION 408 OF THE STANDARD SPECIFICATIONS.
2. THE INCIDENTAL BITUMINOUS SURFACING IS INTENDED TO RESURFACE THE EXISTING ENTRANCES IN THEIR ENTIRETY.
3. ANY NECESSARY WORK BEHIND THE INCIDENTAL BITUMINOUS SURFACING SHALL BE AS SHOWN IN THE PLANS AND/OR AS DIRECTED BY THE ENGINEER.

TYPICAL DETAIL OF RURAL PRIVATE AND COMMERCIAL ENTRANCES

(AGGREGATE OR EARTH)



PLAN



PROFILE

GENERAL NOTES

1. THE EXISTING SURFACE SHALL BE PREPARED IN ACCORDANCE WITH SECTION 408 OF THE STANDARD SPECIFICATIONS.
2. THE INCIDENTAL BITUMINOUS SURFACING IS INTENDED TO RESURFACE THE EXISTING ENTRANCES IN THEIR ENTIRETY.
3. ANY NECESSARY WORK BEHIND THE INCIDENTAL BITUMINOUS SURFACING SHALL BE AS SHOWN IN THE PLANS AND/OR AS DIRECTED BY THE ENGINEER.