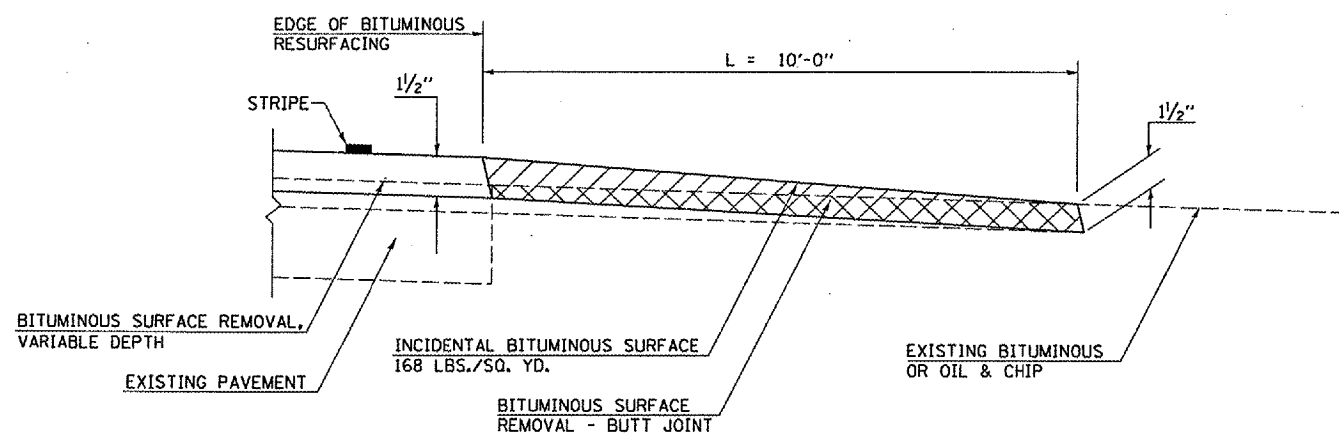
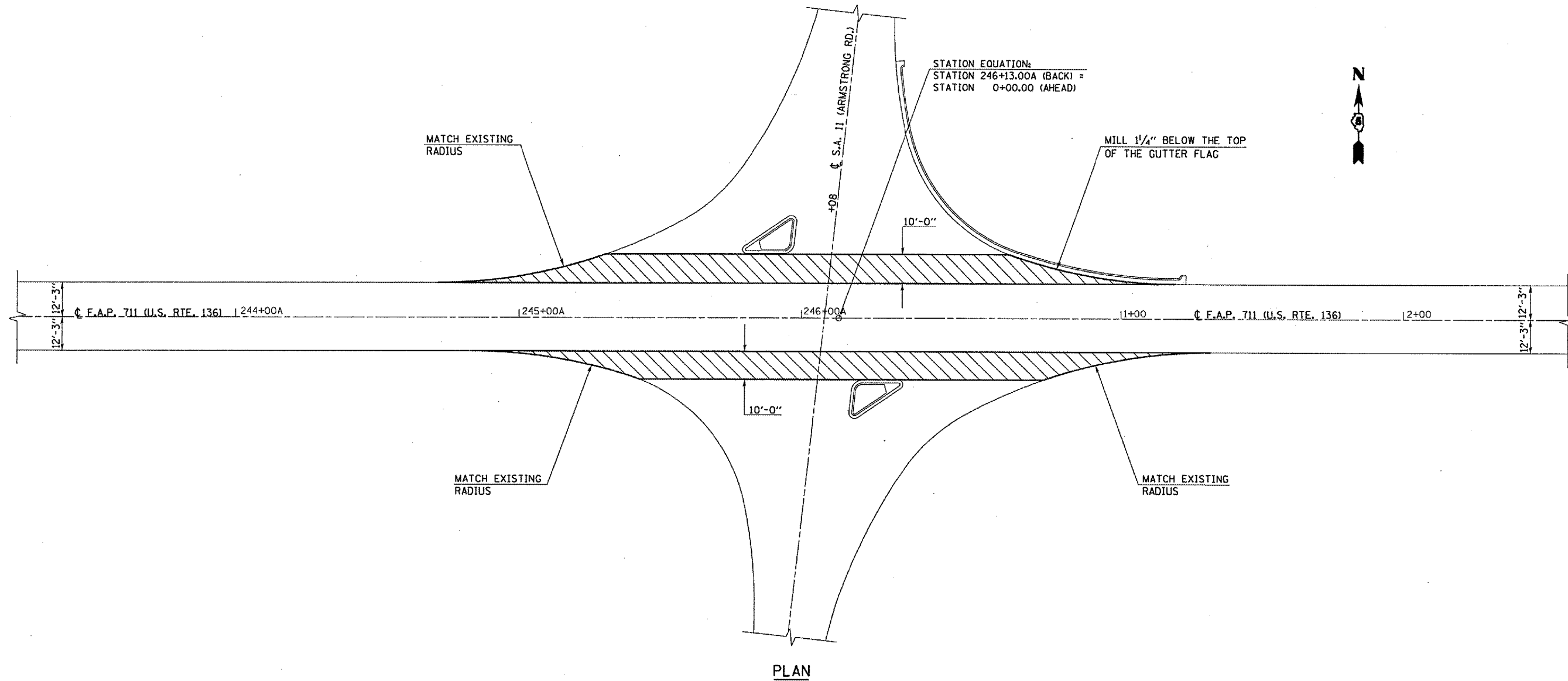


## DETAIL OF SIDEROAD RETURN WITH S.A. 11 (ARMSTRONG RD.) STATION 246+08A



### GENERAL NOTES

1. THE EXISTING SURFACE SHALL BE PREPARED IN ACCORDANCE WITH SECTION 408 OF THE STANDARD SPECIFICATIONS.
2. THE INCIDENTAL BITUMINOUS SURFACING IS INTENDED TO RESURFACE THE EXISTING SIDEROAD TO A LENGTH OF 10'-0" FROM THE EDGE OF PROPOSED RESURFACING.
3. THE INCIDENTAL BITUMINOUS SURFACING SHALL MATCH THE EXISTING RADIUS.