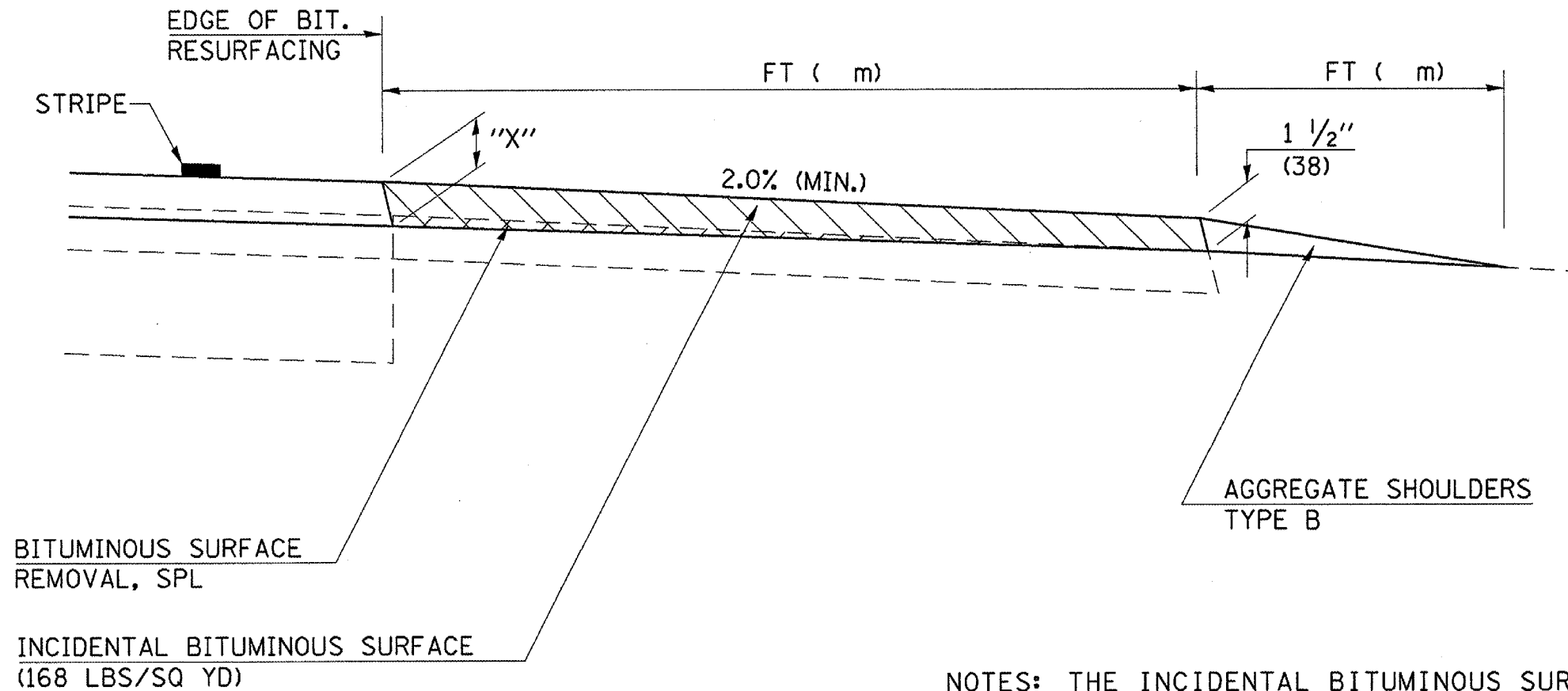


F.A.P. RTE.	SECTION	COUNTY	TOTAL SHEETS	SHEET NO.
71	(11,12)RS-2	DEWITT	53	46

CONTRACT NO. 90867

MAILBOX TURNOUTS

(BITUMINOUS OR OIL & CHIP)



NOTES: THE INCIDENTAL BITUMINOUS SURFACING IS INTENDED TO RESURFACE THE EXISTING MAILBOX TURNOUTS IN THEIR ENTIRETY.

"X" = PROPOSED RESURFACING THICKNESS

	NAME	DATE	REVISIONS	
DESIGNED	D.A.S.	7/98	NAME	DATE
CHECKED	D.L.P.	7/98	K.A.G.	06/03
CADD NO.	C-1.30			

ALL DIMENSIONS ARE IN INCHES (MILLIMETERS) UNLESS OTHERWISE SHOWN.