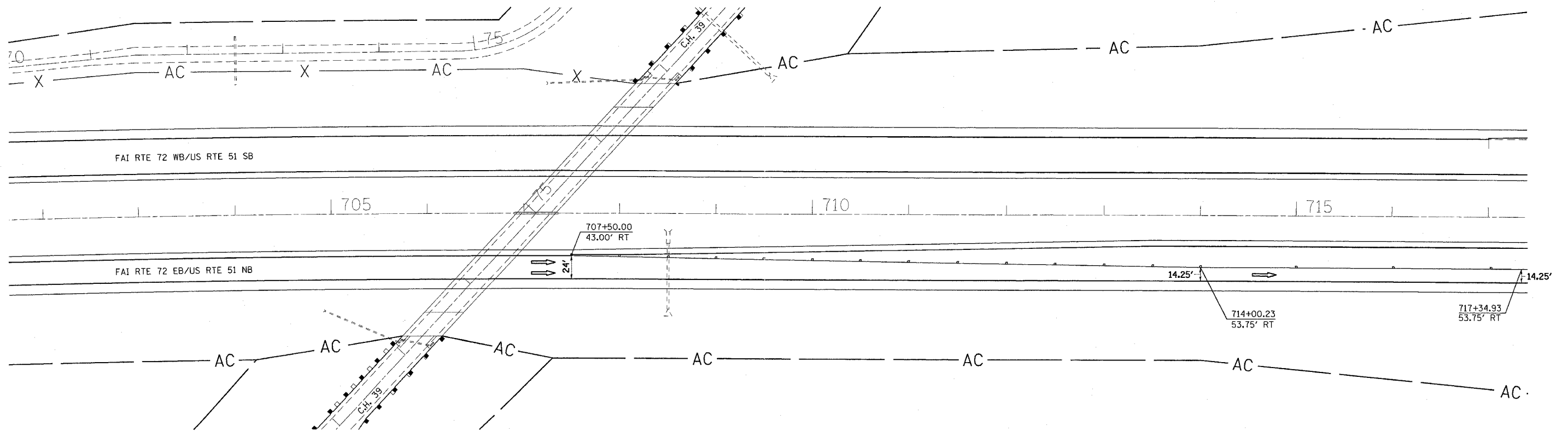
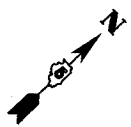
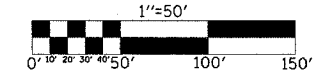


TRAFFIC CONTROL STAGE I

STRUCTURE NUMBER 058-0074 E.B.
STRUCTURE NUMBER 058-0075 W.B.

F.A.I. RTE.	SECTION	COUNTY	TOTAL SHEETS	SHEET NO.
72	•	MACON	135	61
STA. 702+00		TO STA. 717+00		
FED. ROAD DIST. NO.		ILLINOIS FED. AID PROJECT		

• (58-62,58-62-1,58-63)RS
CONTRACT NO. 90879



NOTES:

TRAFFIC DETAILS NOT SHOWN ARE TO CONFORM WITH STANDARD 701402 AND STANDARD 701411 AND SPECIAL FREEWAY DETAIL.

DIRECTION INDICATOR BARRICADES REQUIRED IN ALL LANE CLOSER TAPERS WHEN USING STANDARD 701401 AND 701402 AND SPECIAL FREEWAY DETAIL.

MESSAGE BOARD MAY BE ADJUSTED TO MEET FIELD CONDITIONS.

RESIDENT ENGINEER AND TRAFFIC CONTROL SUPERVISOR WILL PROVIDE APPROPRIATE MESSAGE FOR THE CHANGEABLE MESSAGE SIGN.

PAVEMENT MARKING REMOVAL		SQ. FT.
STATION TO STATION	FOOT	
RT 707+50.00 TO RT 717+34.93	43.00	328
699+82.24 TO 717+34.93	134.69	1341
TOTAL		1669

TEMPORARY PAINT PAVEMENT MARKING LINE 4"		FOOT
STATION TO STATION	FOOT	
RT 707+50.00 TO RT 717+34.93	43.00	985 YELLOW
TOTAL		985

REVISIONS	
NAME	DATE

ILLINOIS DEPARTMENT OF TRANSPORTATION

TRAFFIC CONTROL - STAGE I

F.A.I. ROUTE 72

SECTION (58-62,58-62-1,58-63)RS

MACON COUNTY

SCALE: VERT. 1" = 50'
HORIZ. 1" = 50'

DATE 10/22/03

DRAWN BY CADD
CHECKED BY