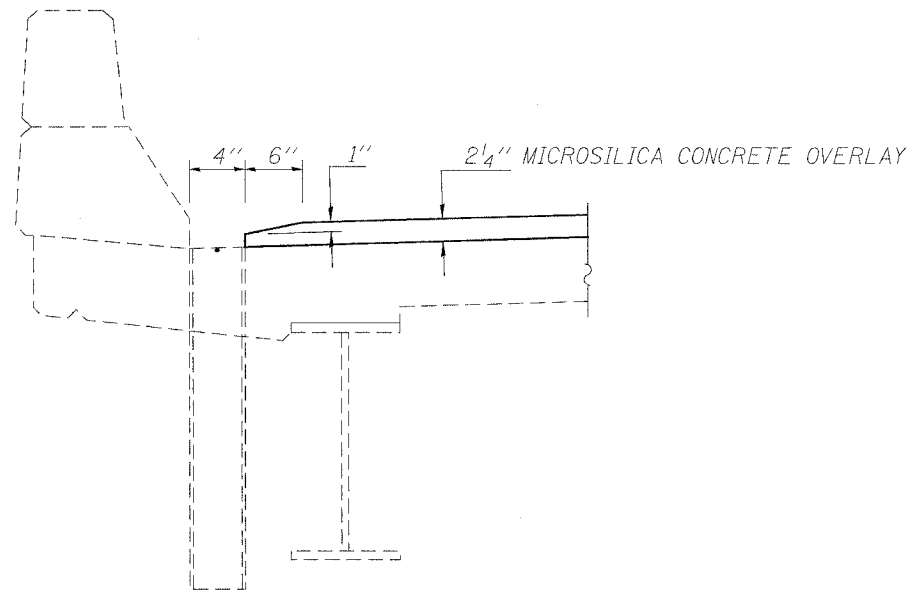


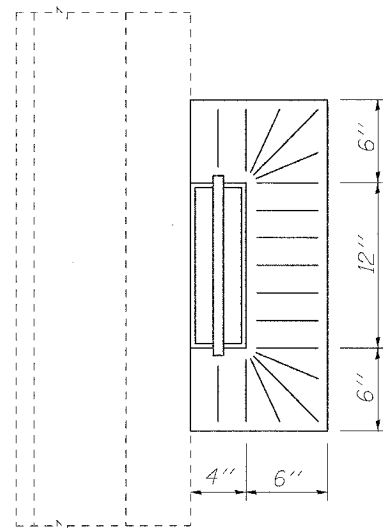
| F.A.I. RTE. | SECTION | COUNTY | TOTAL SHEETS | SHEET NO. |
|-------------|---------|--------|--------------|-----------|
| 72 | . | MACON | 135 | 82 |

• (58-62,58-62-1,58-63)RS
CONTRACT NO. 90879

DETAIL OF DRAIN AT CURB



SECTION AT DRAIN



PLAN VIEW

DRAIN ELIMINATION DETAIL

