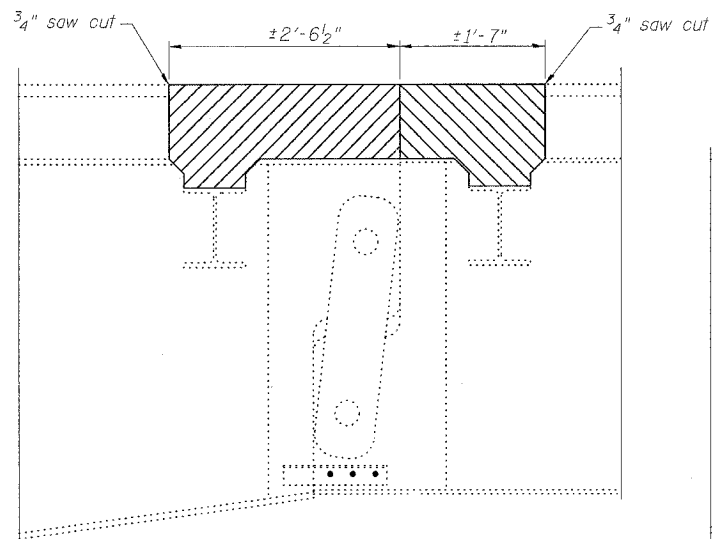
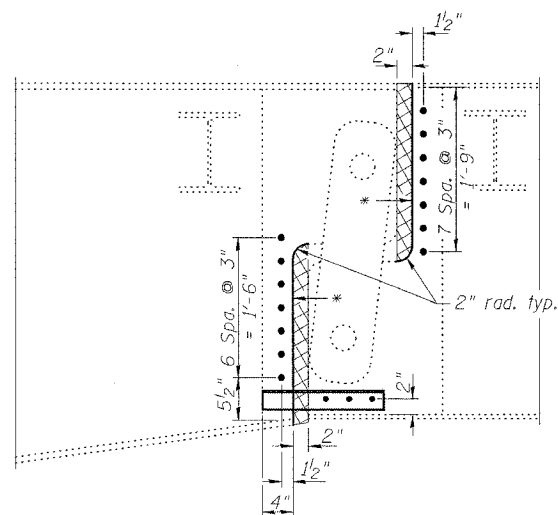


F.A.I. RTE.	SECTION	COUNTY	TOTAL SHEETS	SHEET NO.
72		MACON	135	106

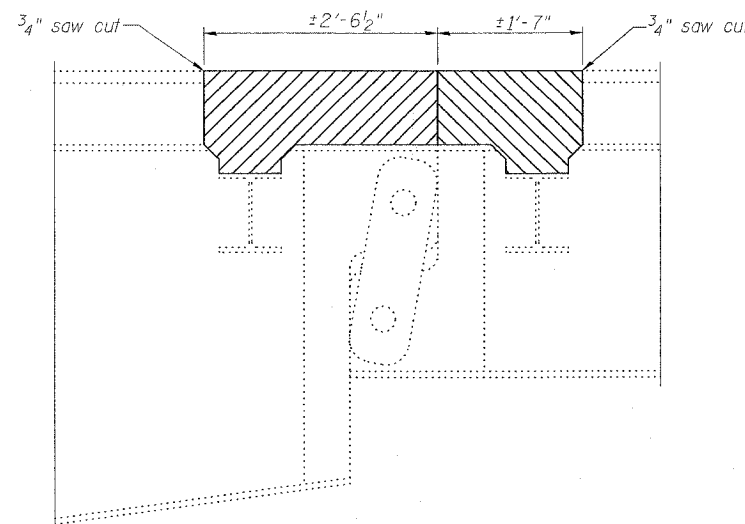
•(58-62,58-62-1,58-63)RS  
CONTRACT NO. 90879  
**SHEET 11 of 16**



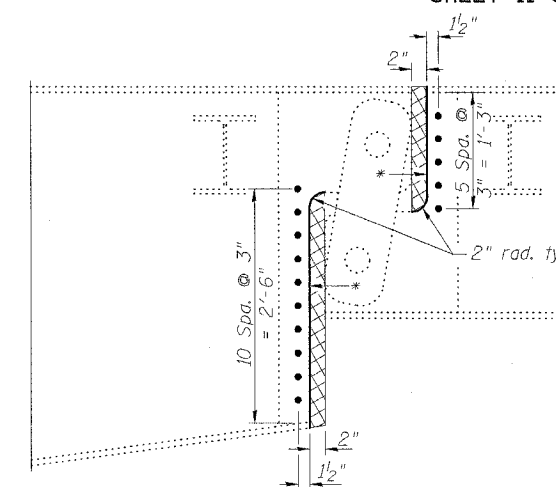
**CONCRETE REMOVAL**



**STEEL BEAM ADJUSTMENT**  
(2 Locations Each Structure)



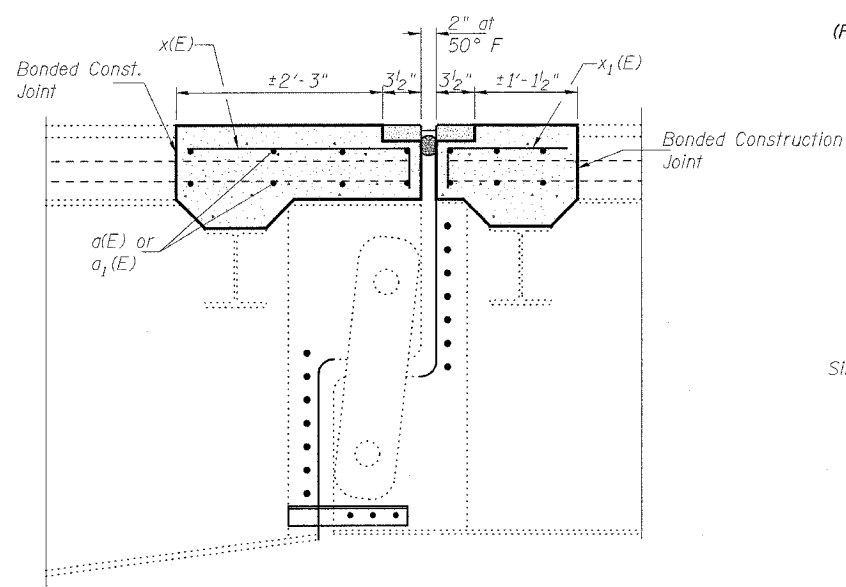
**CONCRETE REMOVAL**



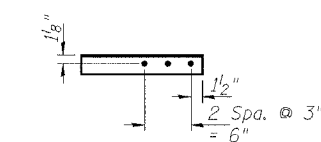
**STEEL BEAM ADJUSTMENT**

(7 Locations S.N. 058-0074)  
(8 Locations S.N. 058-0075)  
\* Cut must be straight and smooth, use guide system.

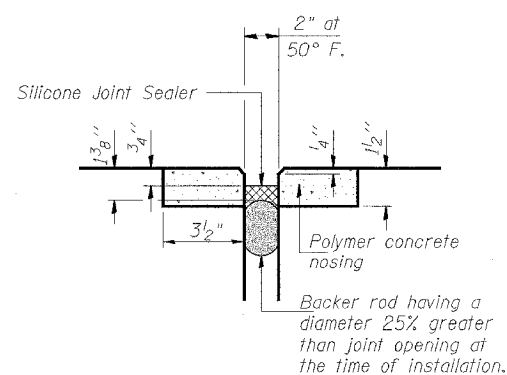
**EXTERIOR GIRDERS**



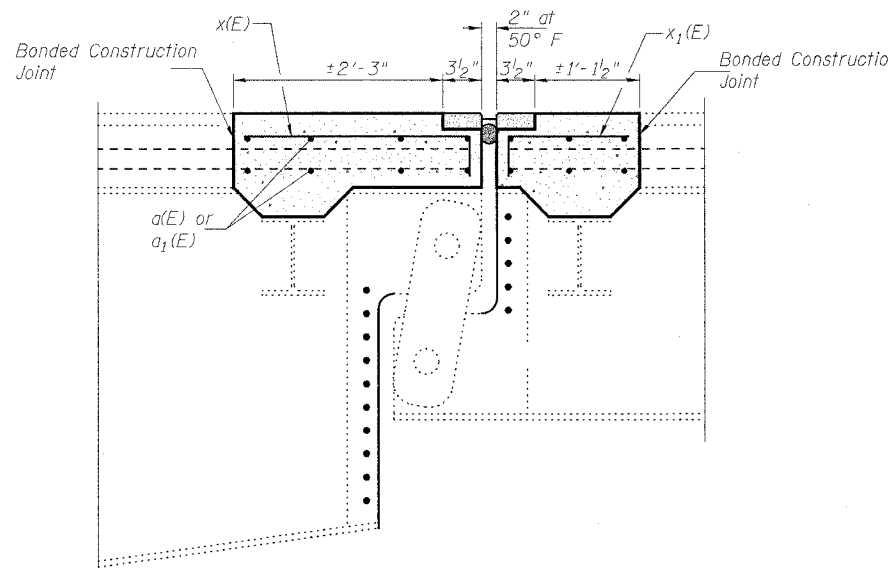
**PROPOSED JOINT**



**L 2 x 2 x 1/4" x 1'-3 3/4"**  
(Field drill 3/16" φ holes for 3/4" φ H. S. Bolts using girder holes as a template. One angle each side of fascia girder)



**SILICONE JOINT SEALER DETAIL**



**PROPOSED JOINT**

Contractor must exercise extreme care as not to damage existing pin or links while cutting beam ends.  
Plan dimensions and details relative to existing structure have been taken from existing plans and are subject to nominal construction variations. It shall be the Contractor's responsibility to verify such dimensions and details in the field and make necessary approved adjustments prior to construction or ordering of materials. Such variations shall not be cause for additional compensation for a change in the scope of the work, however, the Contractor will be paid for the quantity actually furnished at the unit price bid for the work.  
Cost of removal and/or re-installation of all members necessary to complete the work as detailed on the plans and as specified in the Special Provisions shall be included in the cost of Structural Steel Repair.  
Fasteners shall be high strength bolts. Field drill holes 15/16" φ for 7/8" φ bolts, unless otherwise noted.  
Existing reinforcement extending into the removal area shall be cleaned, straightened and incorporated into the new construction. Any reinforcement bars that are damaged during concrete removal shall be replaced with an approved bar splicer or anchorage system. Cost shall be included with Concrete Removal.  
Hatched area indicates Concrete Removal.  
Cross-hatched area indicates removal of beam ends. Cost included with Structural Steel Repair.  
Grind smooth all cut edges. Cut beam edge should be sealed by providing a weld between the web plates and the web. Cost included with Structural Steel Repair.

**BILL OF MATERIAL**

Item	Unit	TOTAL	S.N. 058-0074	S.N. 058-0075
Concrete Removal	Cu. Yd.	16.2	7.8	8.4
Concrete Superstructure	Cu. Yd.	15.6	7.5	8.1
Polymer Concrete	Cu. Ft.	9.6	4.6	5.0
Reinforcement Bars, Epoxy Coated	Pound	2800.0	1340.0	1460.0
Silicone Joint Sealer, 2"	Foot	137.1	65.5	71.6
Structural Steel Repair	Pound	270.0	130.0	140.0
Bar Splicers	Each	28.0	14.0	14.0

**JOINT REPAIR AT LINK**  
**F.A.I. ROUTE 72 SEC. 58-63HVB**  
**MACON COUNTY**  
**S.N. 058-0074 & S.N. 058-0075**