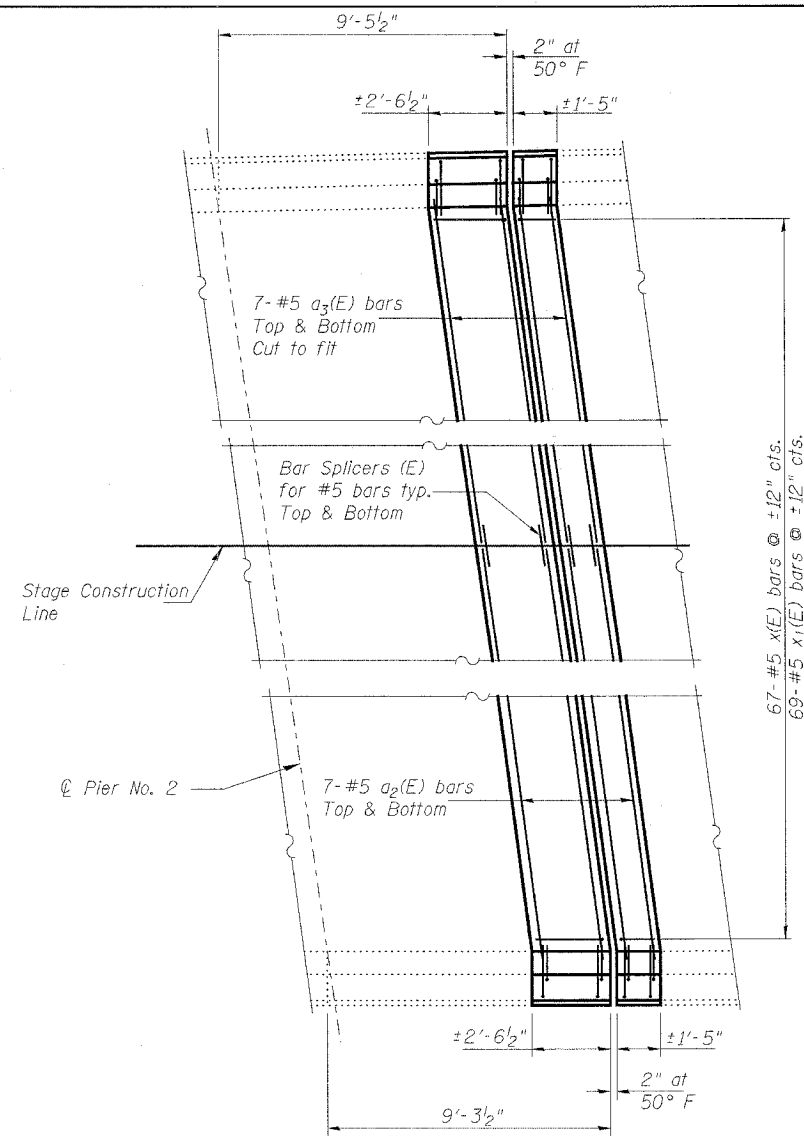
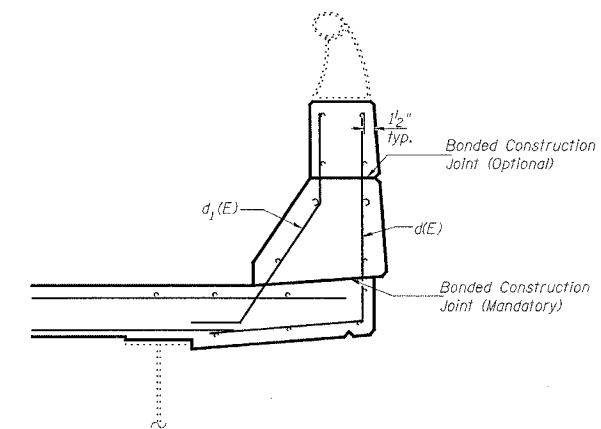


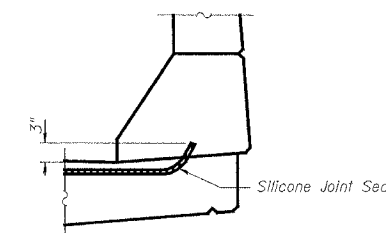
EXISTING PARTIAL PLAN
 JOINT AT LINK



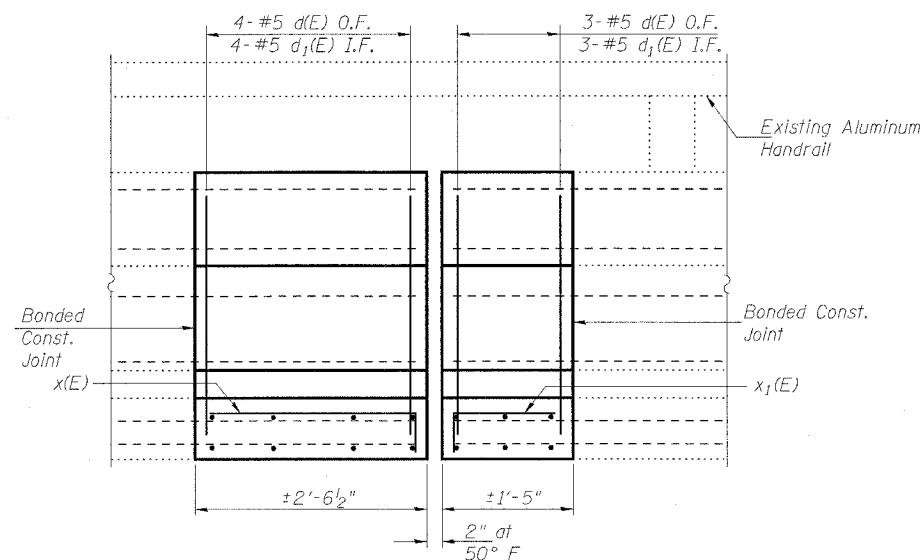
PROPOSED PARTIAL PLAN
 JOINT AT LINK



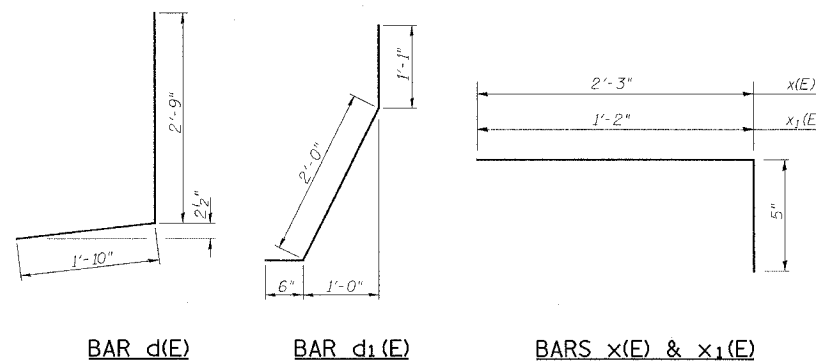
SECTION THRU PARAPET



TYPICAL END OF SEAL TREATMENT
 AT EXPANSION JOINT



PARAPET ELEVATION AT LINK



BILL OF MATERIAL

Bar No.	Size	Length	Shape
a2(E)	#5	32'-3"	—
a3(E)	#5	38'-8"	—
d(E)	#5	4'-7"	┌
d1(E)	#5	3'-7"	┌
x(E)	#5	2'-8"	—
x1(E)	#5	1'-7"	—
Reinforcement Bars, Epoxy Coated			Pound 1460
Concrete Superstructure			Cu. Yd. 8.1

Reinforcement bars designated (E) shall be epoxy coated.
 Hatched area indicates Concrete Removal.
 I.F. = Inside Face
 O.F. = Outside Face

JOINT REPAIR AT LINK
F.A.I. ROUTE 72 SEC. 58-63HVB
MACON COUNTY
S.N. 058-0075