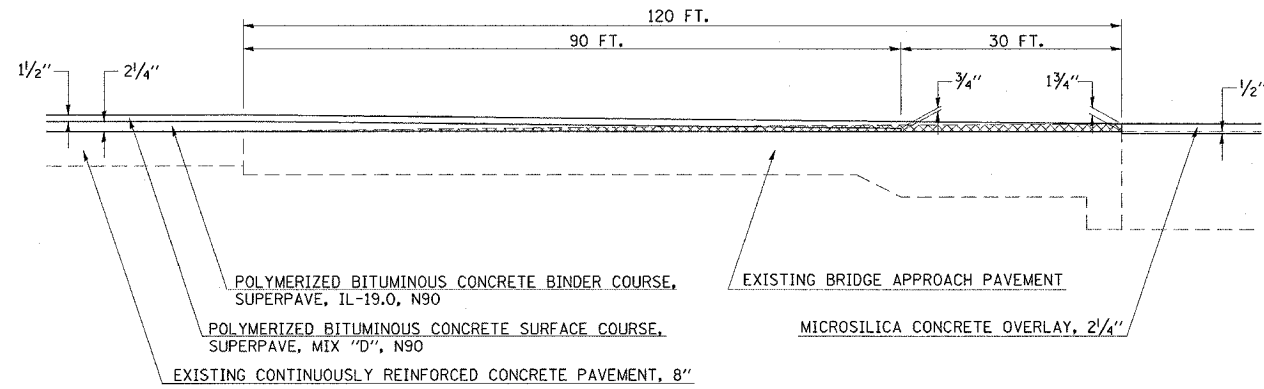


DETAIL OF RUNDOWN AT DUAL STRUCTURE

S. N. 058-0068 & S. N. 058-0069
S. N. 058-0070 & S. N. 058-0071



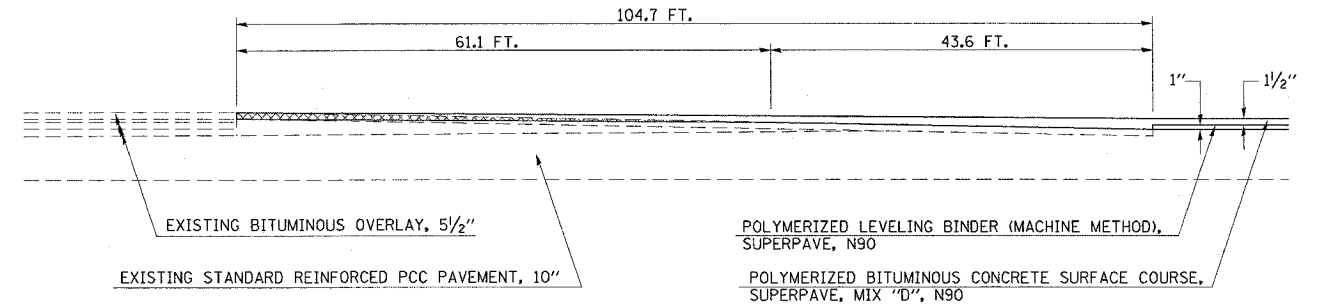
BITUMINOUS SURFACE REMOVAL - BUTT JOINT

F.A.I. SHEETS NO.	SECTION	COUNTY	TOTAL SHEETS	SHEET NO.
72		MACON	135	113

DETAIL OF BITUMINOUS SURFACE REMOVAL - BUTT JOINT

START OF LIMITS - IL 121 - STATION 878+24.32

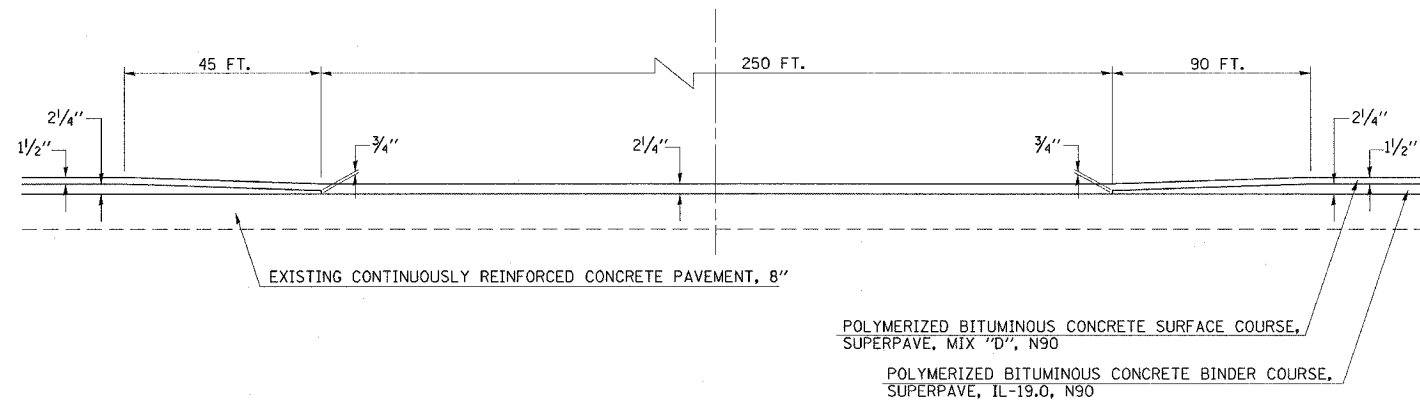
(58-62,58-62-1,58-63)RS
CONTRACT NO. 90879



BITUMINOUS SURFACE REMOVAL - BUTT JOINT

DETAIL OF RUNDOWN UNDER OVERHEAD STRUCTURE

S. N. 058-0076
EASTBOUND & WESTBOUND LANES



PCC SURFACE REMOVAL - BUTT JOINT

DETAIL OF PORTLAND CEMENT CONCRETE REMOVAL - BUTT JOINT

END OF LIMITS - IL 121 - STATION 920+60.90

