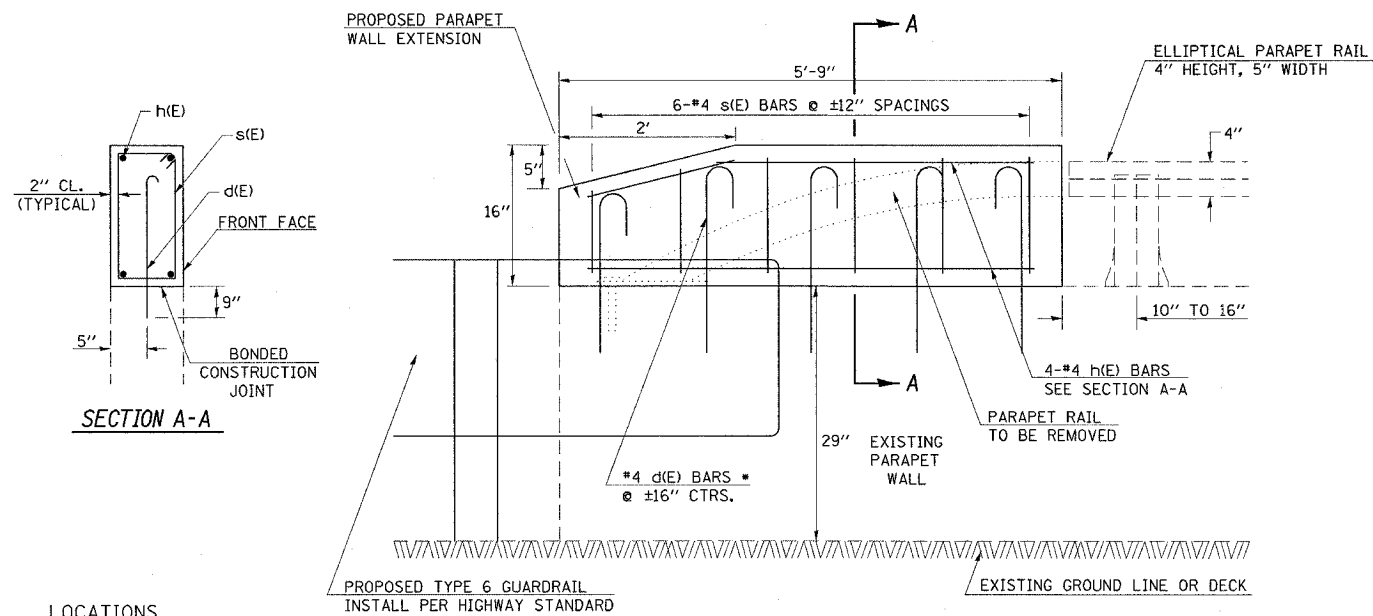


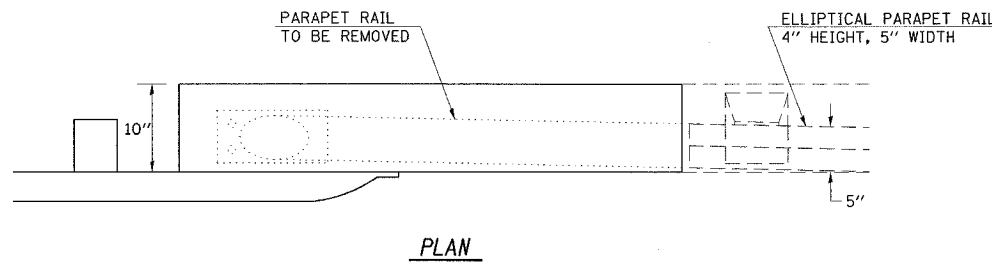
**PARAPET WALL EXTENSION**



**LOCATIONS**

- SN 058-0066 @ 2 LOC.
- SN 058-0067 @ 2 LOC.
- SN 058-0068 @ 2 LOC.
- SN 058-0069 @ 2 LOC.
- SN 058-0070 @ 2 LOC.
- SN 058-0071 @ 2 LOC.
- SN 058-0072 @ 4 LOC.
- SN 058-0073 @ 4 LOC.
- SN 058-0074 @ 4 LOC.
- SN 058-0075 @ 4 LOC.
- SN 058-0076 @ 4 LOC.

\* EPOXY GROUTED BARS



**PLAN**

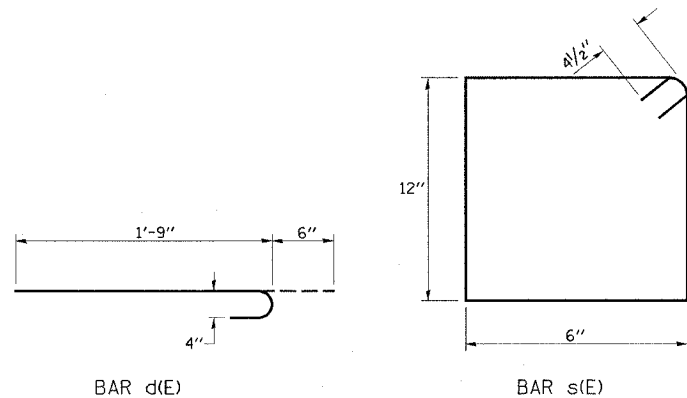
**GENERAL NOTES**

EPOXY GROUTING SHALL BE DONE IN ACCORDANCE WITH ARTICLE 584 OF THE STANDARD SPECIFICATIONS. THE COST OF THE EPOXY GROUTING AND DRILLING SHALL BE INCLUDED IN THE COST OF REINFORCEMENT BARS, EPOXY COATED.

REINFORCEMENT BARS SHALL CONFORM TO THE REQUIREMENTS OF AASHTO M31 OR M322 GRADE 60. REINFORCEMENT BARS DESIGNATED (E) ARE EPOXY COATED BARS.

THE EXISTING BRIDGE RAIL SHALL BE CUT SHORT OF THE NEW CONCRETE BY 1" TO ALLOW FOR PLACEMENT OF FORMS.

PLAN DIMENSIONS AND DETAILS RELATIVE TO THE EXISTING STRUCTURE HAVE BEEN TAKEN FROM EXISTING PLANS AND ARE SUBJECT TO NOMINAL CONSTRUCTION VARIATIONS. IT SHALL BE THE CONTRACTOR'S RESPONSIBILITY TO VERIFY SUCH DIMENSIONS AND DETAILS IN THE FIELD AND MAKE NECESSARY APPROVED ADJUSTMENTS PRIOR TO CONSTRUCTION OR ORDERING OF MATERIALS. SUCH VARIATIONS SHALL NOT BE CAUSE FOR ADDITIONAL COMPENSATION FOR A CHANGE IN THE SCOPE OF THE WORK. HOWEVER, THE CONTRACTOR WILL BE PAID FOR THE QUANTITY ACTUALLY FURNISHED AT THE UNIT PRICE FOR THE WORK.



**BAR TABLE**

Bar	No.	Size	Length	Shape
d(E)	5	#4	2'-3"	
s(E)	6	#4	3'-9"	
h(E)	4	#4	5'-5"	

**BILL OF MATERIALS (PER LOCATION)**

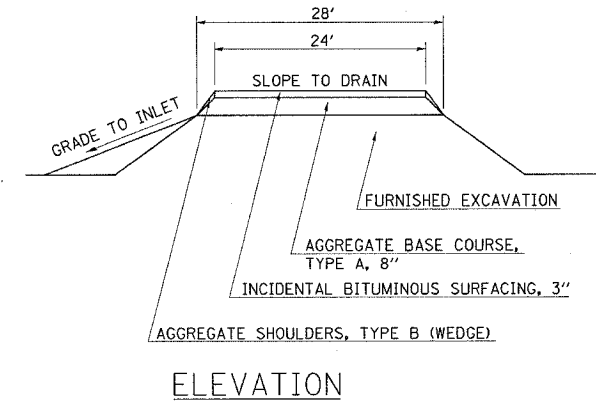
ITEM	UNIT	QUANTITY
CONCRETE SUPERSTRUCTURE	CU. YD.	0.22
REINFORCEMENT BARS, EPOXY COATED	LB.	37.0
BRIDGE RAIL REMOVAL	FOOT	4.8

**DETAIL OF MEDIAN CROSSOVER TO BE CONSTRUCTED**

STA. 546+00

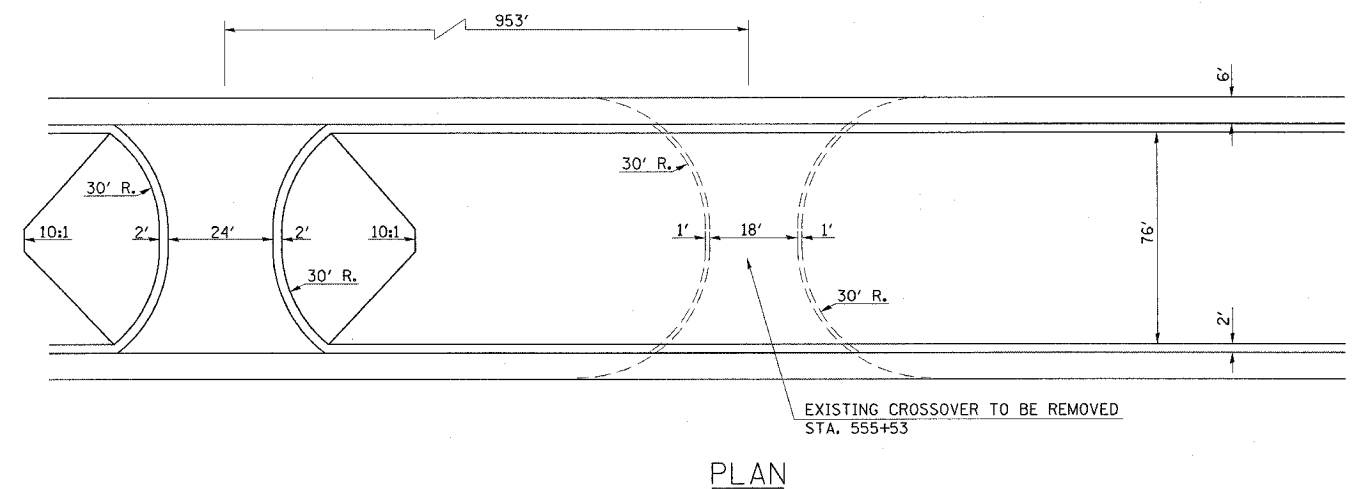
F.A.I. RTE.	SECTION	COUNTY	TOTAL SHEETS	SHEET NO.
72		MACON	135	115

• (58-62,58-62-1,58-63)RS  
CONTRACT NO. 90879



**ELEVATION**

NOTE:  
SEE DETAIL OF DECELERATION LANE



**PLAN**