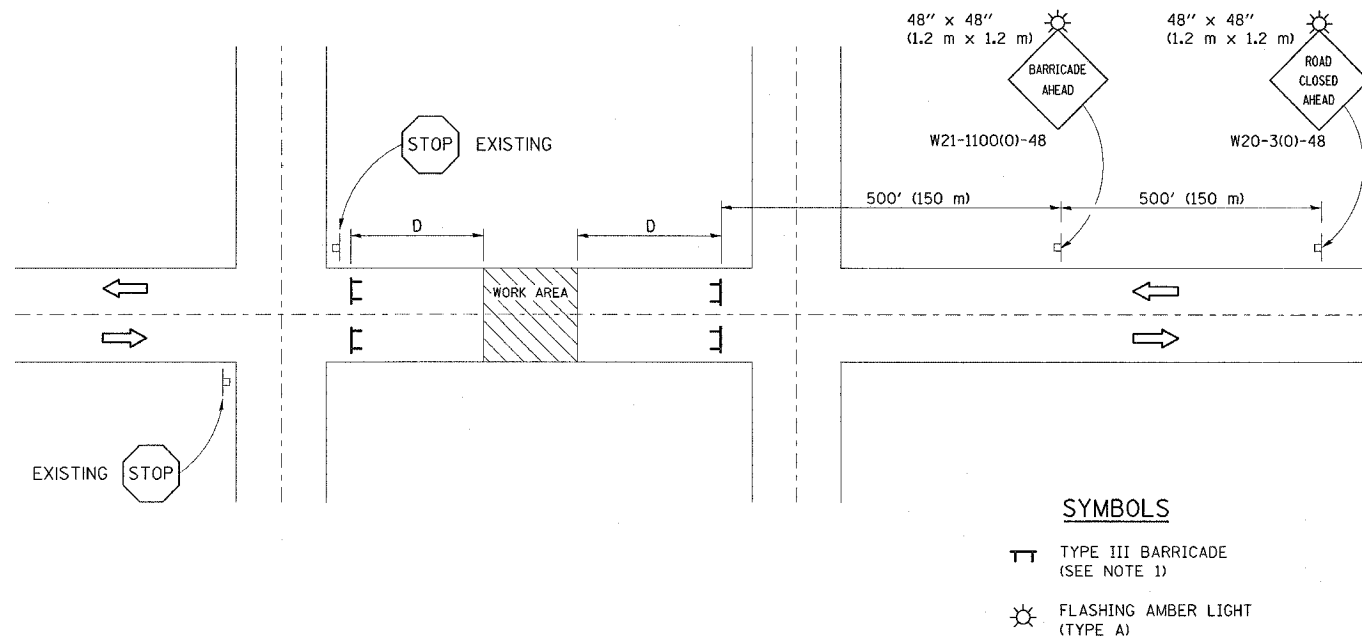


F.A.I. RTE.	SECTION	COUNTY	TOTAL SHEETS	SHEET NO.
72		MACON	135	117

• 58-62,58-62-1,58-63IRS
CONTRACT NO. 90879

TYPICAL APPLICATION OF TRAFFIC CONTROL DEVICES FOR ROAD CLOSURE



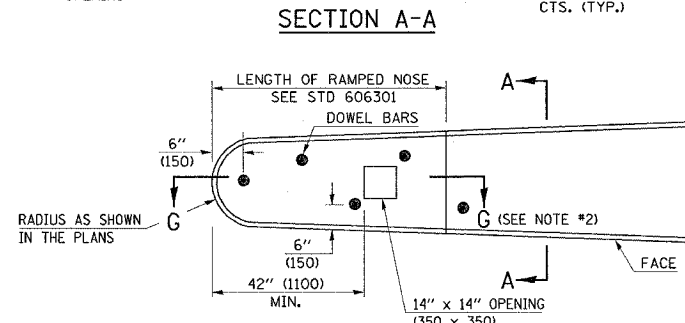
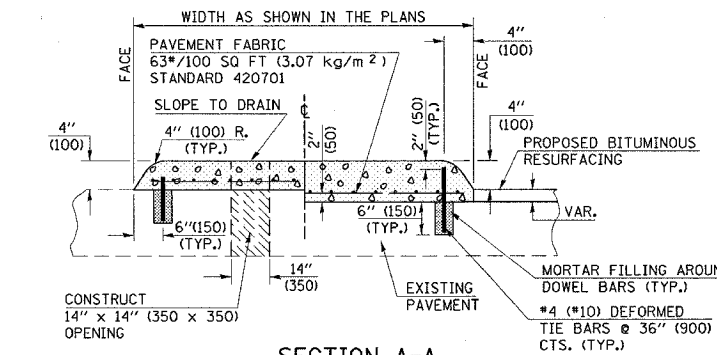
GENERAL NOTES

- TYPE III BARRICADES SHALL BE AS SHOWN ON STANDARD 702001 "TYPICAL APPLICATIONS OF TYPE III BARRICADES CLOSING A ROAD". EACH TYPE III BARRICADE SHALL HAVE TWO FLASHING AMBER LIGHTS MOUNTED ABOVE IT.
- IF THE ROAD IS OPEN TO LOCAL TRAFFIC OR "D" EXCEEDS 1000' (300 m), ANOTHER SET OF TYPE III BARRICADES, EQUIPPED AS IN NOTE 1 ABOVE, SHALL BE PLACED AT EACH END OF THE WORK AREA.
- WHEN A STOP CONDITION EXISTS, AS SHOWN ABOVE, NO SIGNS ARE REQUIRED IN ADVANCE OF THE "STOP" SIGN WHEN THE ROAD IS CLOSED WITHIN 100' (30 m) OF THE INTERSECTION.
- STANDARD 702001 SHALL APPLY FOR THE PLACEMENT & DESIGN OF TYPE III BARRICADES.
- ALL SIGNS SHALL BE POST MOUNTED IF THE CLOSURE TIME EXCEEDS FOUR DAYS.
- A MINIMUM OF TWO FLASHING LIGHTS SHALL BE USED AT NIGHT ON EACH APPROACH IN ADVANCE OF THE WORK AREA. FLASHING LIGHTS SHALL BE INSTALLED ABOVE THE FIRST TWO SIGNS IN THE SERIES.
- LONGITUDINAL DIMENSIONS MAY BE ADJUSTED SLIGHTLY TO FIT FIELD CONDITIONS.
- FORMS BT. 725 AND BT. 726 ARE REQUIRED.
- WHEN A SIDEROAD INTERSECTS THE HIGHWAY ON WHICH WORK IS BEING PERFORMED, ADDITIONAL TRAFFIC DEVICES SHALL BE ERECTED AND PROVIDED AS DIRECTED BY THE ENGINEER.

DETAIL OF CONCRETE MEDIAN, TYPE SM (SPECIAL)

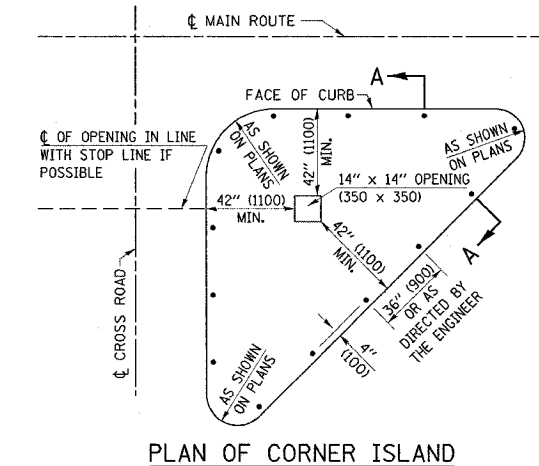
GENERAL NOTES

- THE GENERAL NOTES FOR STANDARD 606301 SHALL APPLY.
- SECTION G-G SHALL BE THE SAME AS SHOWN ON STANDARD 606301.
- THIS WORK WILL BE PAID FOR AT THE CONTRACT UNIT PRICE PER SQUARE FOOT (m²) FOR CONCRETE MEDIAN, TYPE SM (SPECIAL), INCLUDING THE COST OF FURNISHING AND INSTALLING THE DOWEL BARS, MORTAR FILLING, PAVEMENT FABRIC AND THE REMOVAL AND DISPOSAL OF THE EXISTING PAVEMENT FOR THE 14" x 14" (350 x 350) OPENING, IF REQUIRED, AND NO ADDITIONAL COMPENSATION WILL BE ALLOWED.
- OPENINGS FOR SIGNS IN MEDIANS AND ISLANDS SHALL BE AS SHOWN OR AS DIRECTED BY THE ENGINEER.



	NAME	DATE	REVISIONS	
DESIGNED	J.M.H.	1-89	NAME	DATE
CHECKED	F.M.S.	1-89	J.Y.B.	06/02
CADD NO.	A-5.08		K.A.G.	06/03

ALL DIMENSIONS ARE IN INCHES (MILLIMETERS) UNLESS OTHERWISE SHOWN.



	NAME	DATE	REVISIONS	
DESIGNED	J.H.M.	8-11-87	NAME	DATE
CHECKED	P.E.K.	8-25-87	R.M.H.	12/97
CADD NO.	F-5.03		K.A.G.	08/03

ALL DIMENSIONS ARE IN INCHES (MILLIMETERS) UNLESS OTHERWISE SHOWN.