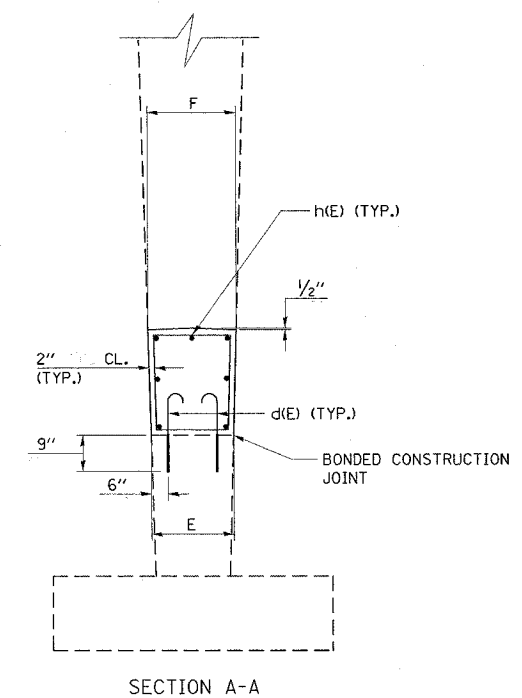
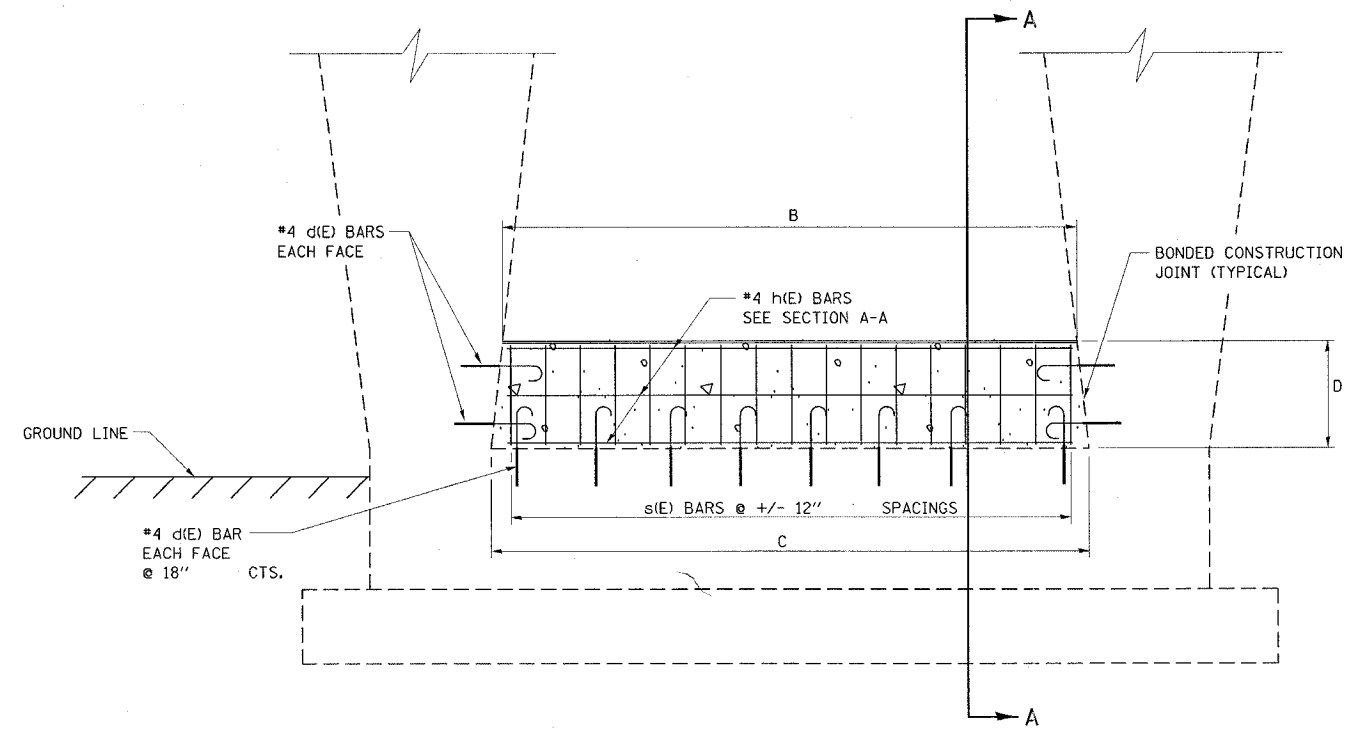


DETAIL OF CRASHWALL EXTENSION

058-0076

F.A.I. RTE.	SECTION	COUNTY	TOTAL SHEETS	SHEET NO.
72		MACON	135	118

(58-62,58-62-1,58-63)RS
CONTRACT NO. 90879



STRUCTURE DIMENSION TABLE

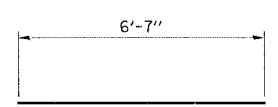
STATION	B	C	D	E	F
058-0076	6'-11"	6'-11"	3'-6 1/4"	2'-6"	2'-6"

BILL OF MATERIALS

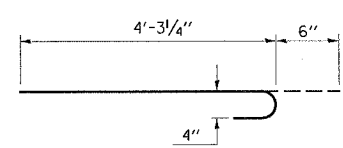
ITEM	UNIT	QUANTITY
CLASS SI CONCRETE	CU. YD.	2.3
REINFORCEMENT BARS, EPOXY COATED	LB.	140

BAR TABLE

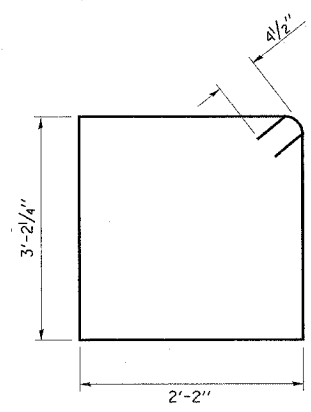
Bar	No.	Size	Shape
d(E)	18	#4	
s(E)	7	#4	
h(E)	7	#4	



BAR h(E)



BAR d(E)



BAR s(E)

GENERAL NOTES

CLASS SI CONCRETE SHALL BE USED THROUGHOUT.

EPOXY GROUTING SHALL BE DONE IN ACCORDANCE WITH ARTICLE 584 OF THE STANDARD SPECIFICATIONS. THE DRILLED HOLES FOR THE J-BARS SHALL BE 1/4" LARGER THAN THE DIAMETER OF THE BAR. THE COST OF THE EPOXY GROUTING AND DRILLING SHALL BE INCLUDED IN THE COST OF REINFORCEMENT BARS, EPOXY COATED.

REINFORCEMENT BARS SHALL CONFORM TO THE REQUIREMENTS OF AASHTO M31 OR M322 GRADE 60.

PLAN DIMENSIONS AND DETAILS RELATIVE TO THE EXISTING STRUCTURE HAVE BEEN TAKEN FROM EXISTING PLANS AND ARE SUBJECT TO NOMINAL CONSTRUCTION VARIATIONS. IT SHALL BE THE CONTRACTOR'S RESPONSIBILITY TO VERIFY SUCH DIMENSIONS AND DETAILS IN THE FIELD AND MAKE NECESSARY APPROVED ADJUSTMENTS PRIOR TO CONSTRUCTION OR ORDERING OF MATERIALS. SUCH VARIATIONS SHALL NOT BE CAUSE FOR ADDITIONAL COMPENSATION FOR A CHANGE IN THE SCOPE OF THE WORK. HOWEVER, THE CONTRACTOR WILL BE PAID FOR THE QUANTITY ACTUALLY FURNISHED AT THE UNIT PRICE FOR THE WORK.

	NAME	DATE	REVISIONS	
	NAME	DATE	NAME	DATE
DESIGNED	D.L.P.	3-95		
CHECKED	G.A.M.	4-95	K.A.G.	04/03
CADD NO.	F-3.01A		K.A.G.	08/03